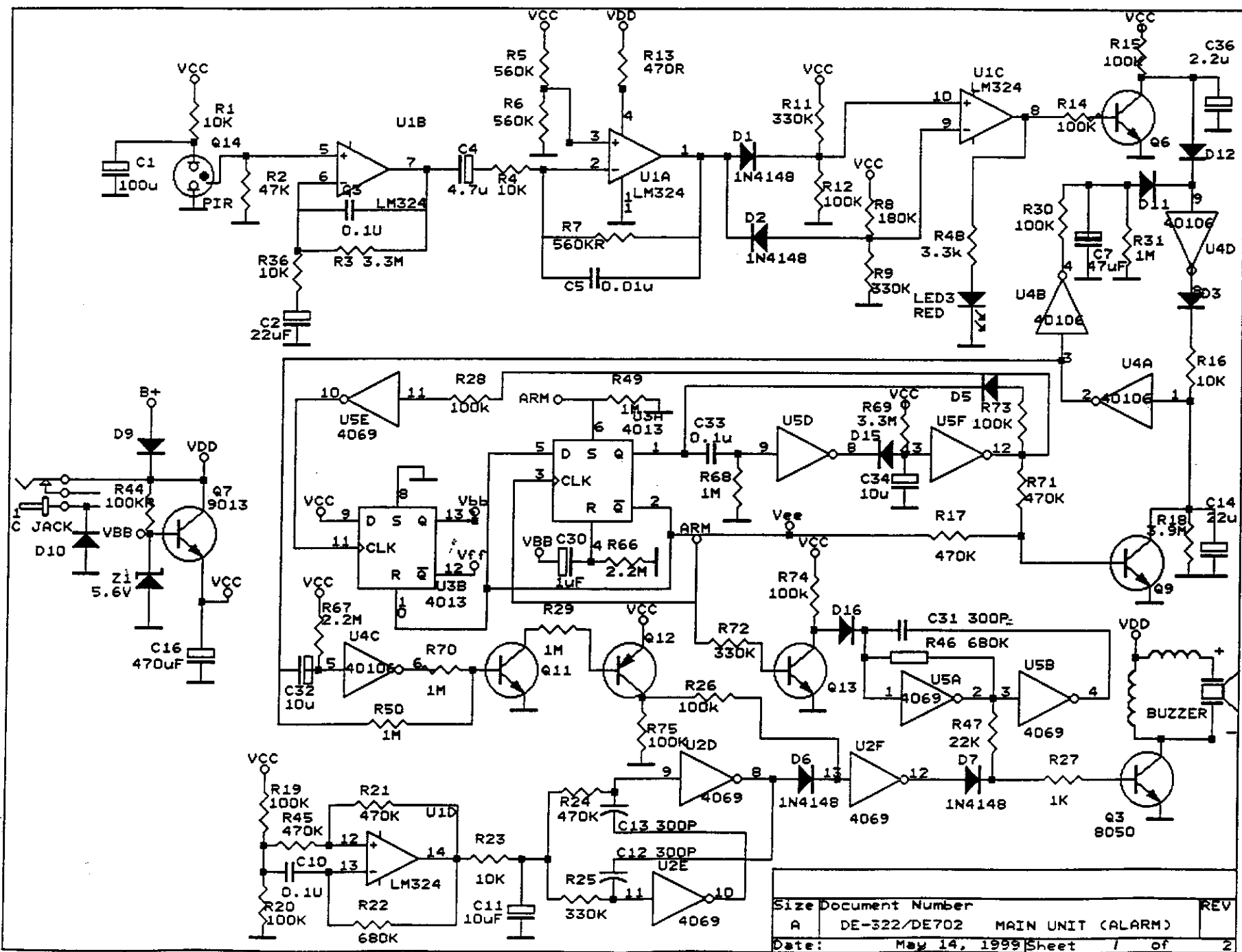
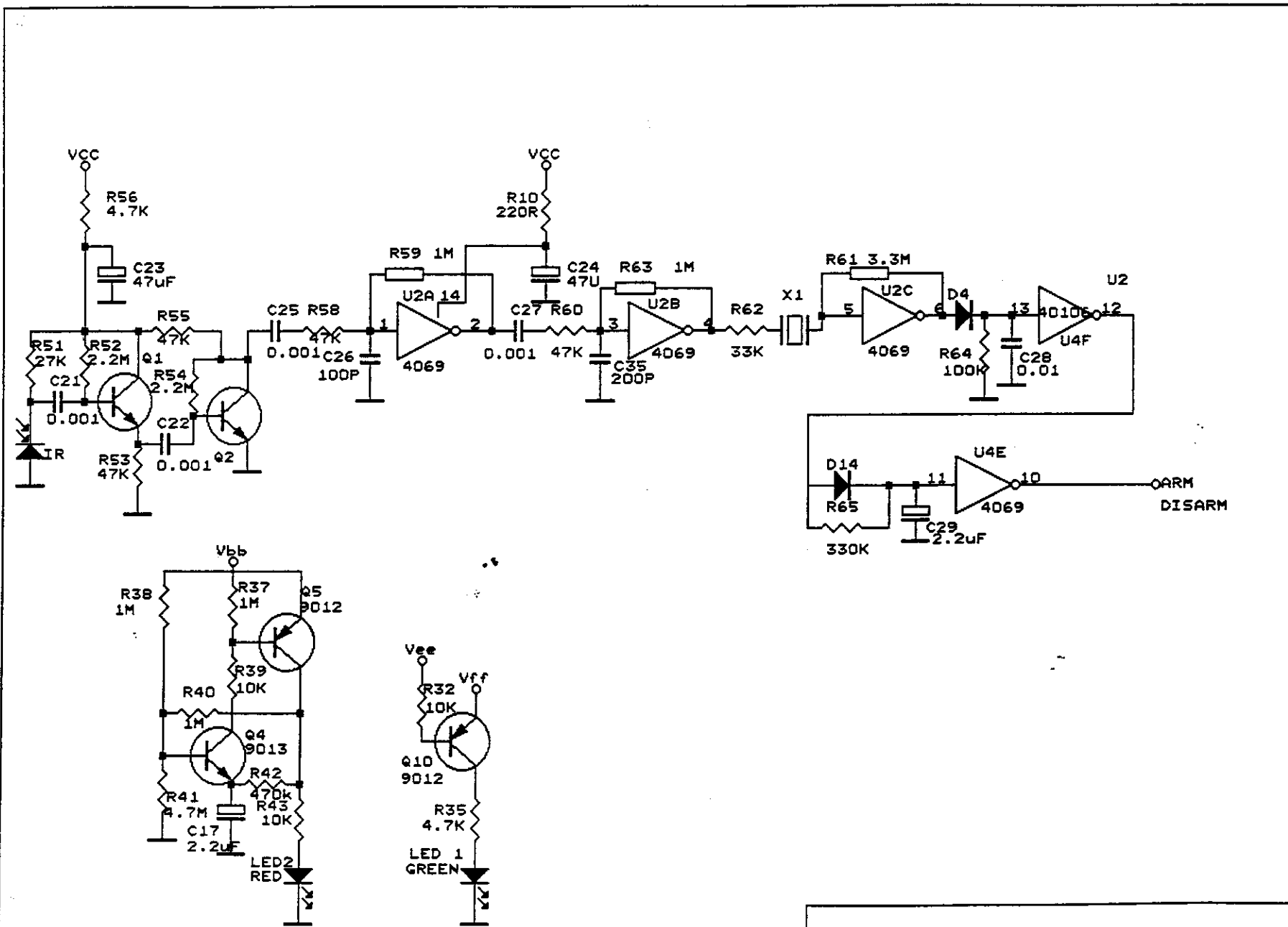


#702 Circuit diagram of "Main unit" -- Alarm unit (P.1)



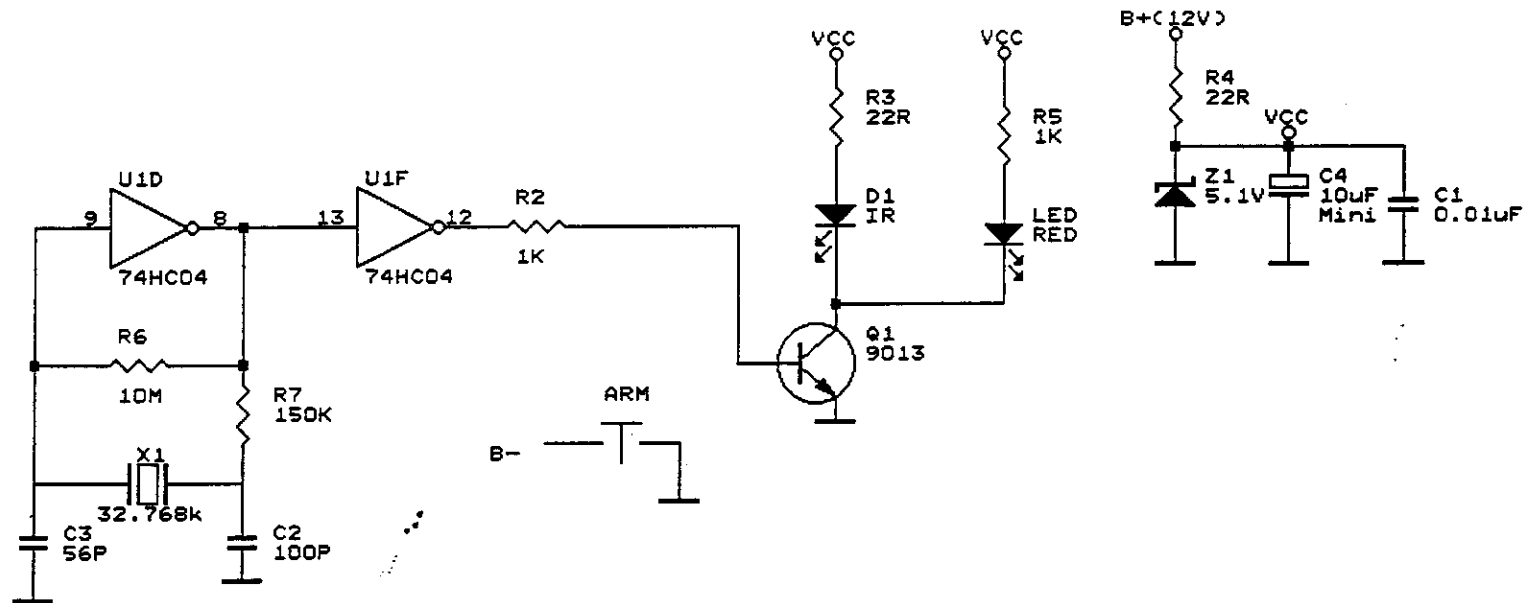
Size	Document Number	REV
A	DE-322/DE702 MAIN UNIT (ALARM)	
Date:	May 14, 1999	Sheet 1 of 2

#702 (Alarm unit ) P.2



Size	Document Number	REV
A	DE-322/DE702 MAIN UNIT (ALARM)	
Date:	May 14, 1999	Sheet 2 of 2

#702 Circuit diagram of "Remote Control"



Size	Document Number	REV
A	DE322/DE702 REMOTE	
Date:	May 14, 1999	Sheet 1 of 1