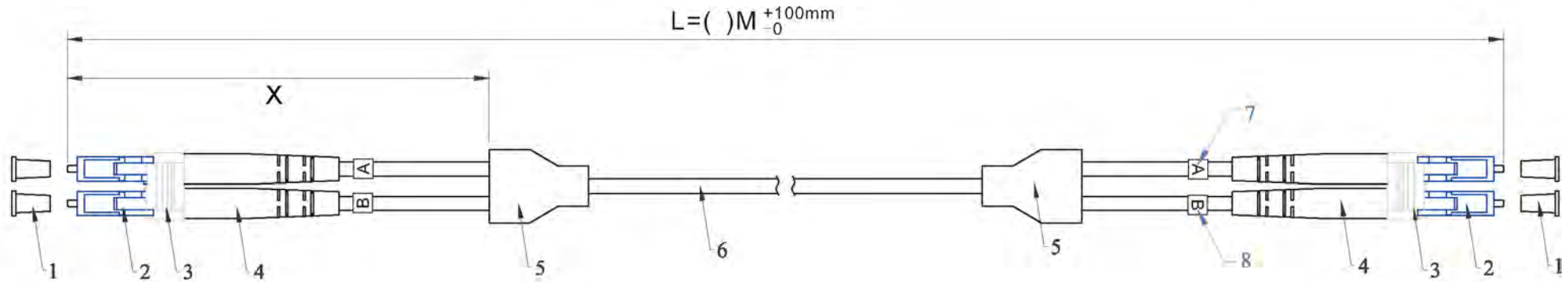


LC - LC Duplex Jumper armored, Singlemode 9/125µm OS1/OS2, 3.0 mm, LSZH, blue



X = 30 cm ± 1 cm for cable length ≤ 1 m
50 cm ± 1 cm for cable length > 1 m

Specifications:

- Insertion Loss: ≤ 0.3 dB @1310nm
- Return Loss: ≥ 55dB@1310nm
- End surface test according to OP-03-0500
- Test standard: GR-326-CORE
- Test report has to match the serial No.
- RoHS compliant
- Fiber cable acc. to IEC 60793-2
- LC connector acc. to IEC 61754-20

RoHS
compliant

8	B-Ring	2
7	A-Ring	2
6	SM OS1/OS2 3.0 mm duplex 9/125µm armored cable, blue	
5	Splitter	2
4	LC boot, white	4
3	LC duplex clip, transparent	2
2	LC connector, 3.0 mm, blue	4
1	LC dust cover (white)	4
Item	Description	Qty

Created MN	Date 24.02.10	LC/LC Duplex Jumper Singlemode 9/125µ OS1/OS2, armored, LSZH, blue O6505.X	File: O6505.x_ENG
Last rev. MN	Date 04.03.10		

Indoor Cable Series (simplex)

1. Characteristics

- Aramid yarn strength member ensures tension resistance and long term stability in transmission
- Small outer diameter, lightweight
- Flame-retardant
- Low attenuation

2. Applications

- Patching, crossing
- Indoor cabling

3. Temperature Range

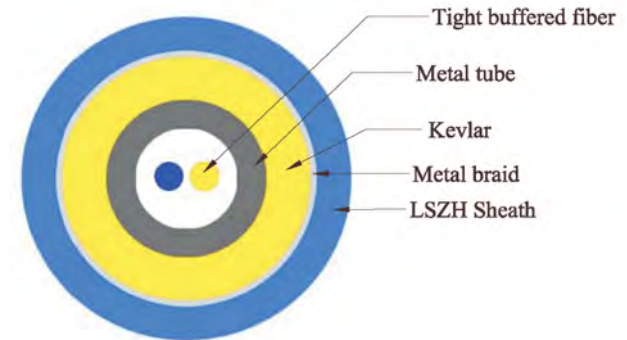
- -40°C up to +85°C

4. Fiber Optic Cable Performance

- Number of fibers: 2
- Outside diameter: 3.2 ± 0.1 mm
- Nominal weight: 20 kg/km
- Min. bending radius: 25 mm
- Max. crush resistance (N/100mm): 3000
- Complies with TIA/EIA-586 B.3 & Bellcore GR-409-CORE & OFNR-UL/CSA FT-4
- Max. attenuation: ≤ 0.4 dB @full spectrum
- Dispersion coefficient: ≤ 3.0 ps/(nm*km) @1310nm
 ≤ 18 ps/(nm*km) @1550nm

5. Cable Specification

- Fiber type: Singlemode 9/125 μ m OS1/OS2
- Armored cable, LSZH, blue

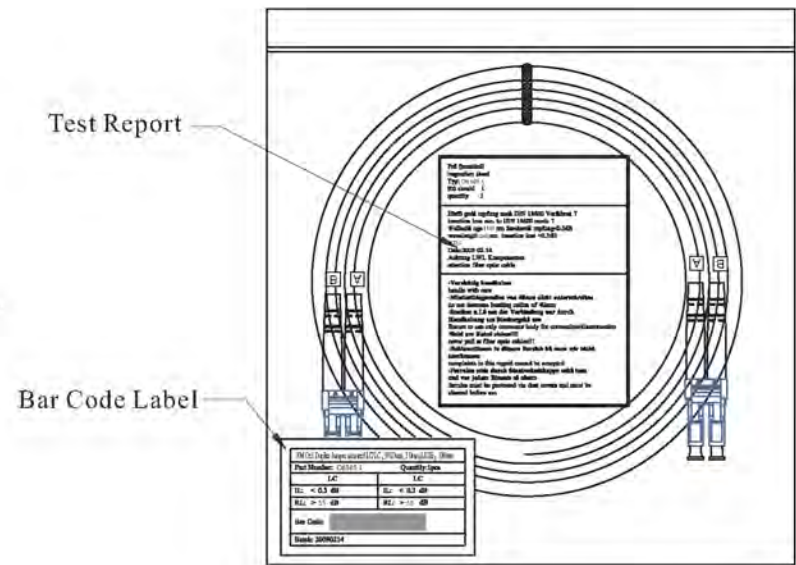


RoHS
compliant

Created MN	Date 24.02.10	LC/LC Duplex Jumper Singlemode 9/125 μ OS1/OS2, armored, LSZH, blue O6505.X	File: O6505.x_ENG
Last rev. MN	Date 04.03.10		

Packing

The corresponding label data for each cable assembly shall be glued to the package



PE Bag(280mm*220mm)

Prüfprotokoll inspection sheet Typ: O6505.1 Stückzahl 1 quantity 1
Einfüß gedü mpfung nach DIN 18600 Verfahren 7 insertion loss acc. to DIN 18600 mode 7 Wellenlänge 1310 nm Steckerdü mpfung<0,3dB wavelength 1310 nm insertion loss <0.3dB 9/125
Date:2009-02-14 Achtung LWL Komponenten attention fiber optic cable
-Vorsichtig handhaben handle with care -Mindestbiegeradius von 40mm nicht unterschreiten do not decrease bonding radius of 40mm -Stecken u.L6 sen der Verbindung nur durch Handhabung am Steckergehä use Ensure to use only connector body for connection/disconnection Nicht am Kabel ziehen!!! never pull at fiber optic cables!!! -Reklamationen in diesem Bereich kö nnen wir nicht anerkennen complaints in this regard cannot be accepted -Ferrulen stets durch Staubschutzkappe schü tzen und vor jedem Einsatz sä ubern ferrules must be protected via dust covers and must be cleaned before use

Test Report

SM OS1/OS2 Duplex Jumper armored LC/LC , 9/125µm, 3.0mm,LSZH, 1Meter	
Part Number: O6505.1	Quantity:1pcs
LC	LC
IL: < 0.3 dB	IL: < 0.3 dB
RL: > 55 dB	RL: > 55 dB
Bar Code:	
Batch: 20090214	

Bar Code Label (100mm*60mm)

RoHS compliant

Created MN	Date 24.02.10	LC/LC Duplex Jumper Singlemode 9/125µ OS1/OS2, armored, LSZH, blue O6505.X	File: O6505.x_ENG
Last rev. MN	Date 04.03.10		