

SUPER THIN BUZZER

WITH BUILT-IN CIRCUIT

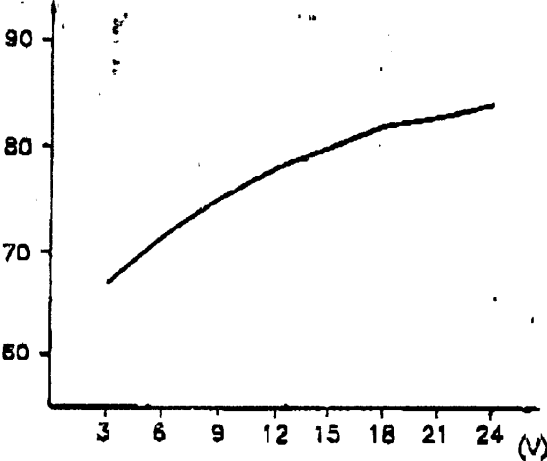
PMB 24F/H
PMB 24F/V.

TECHNICAL DATA (TYPICAL @25°C)

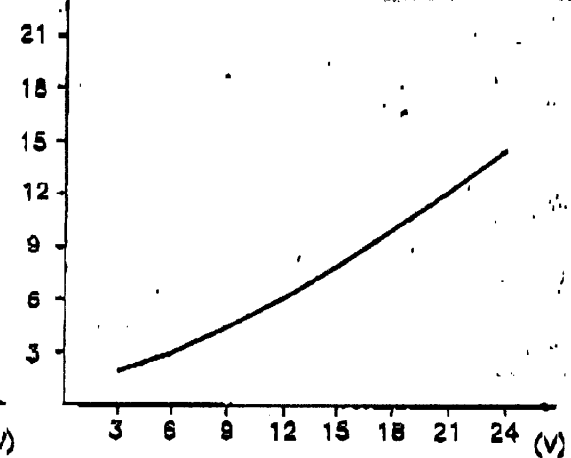
Operating Voltage (D.C.)	3 - 24	V
Frequency	5.6	KHz
Current (@12V D.C.)	5.0	mA
Sound Output (@12V D.C. @30cm)	85	dB
Temperature	-20 to +70	°C

APR 1959

Sound Output @30cm (dB)

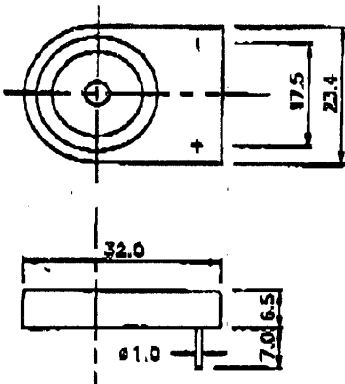


Current (mA)



DIMENSIONS IN mm

HORIZONTAL TYPE (PMB 24F/H)



VERTICAL TYPE (PMB 24F/V)

