

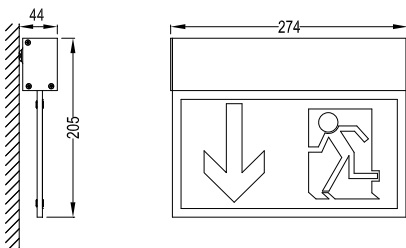
SELF-CONTAINED EMERGENCY LUMINARE

M7-25

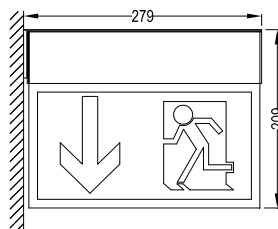


| | RECESSED CEILING MOUNTING | OTHER MOUNTINGS |
|---------------------|---------------------------|-------------------|
| Case material | Metal | Aluminum |
| Case color | White (RAL 9010) | Silver (RAL 9006) |
| Legend material | Polycarbonate | |
| Viewing distance | 25m | |
| Emergency duration | 3 h | |
| Lamp | LED | |
| Wattage (AC) | 7W | |
| Voltage | 230V 50Hz | |
| Protection category | IP 20 | IP 40 |
| Insulation class | I | |
| Battery | NiMH 4,8V 600mAh | |
| Permissible temp. | 5 - 35°C | |

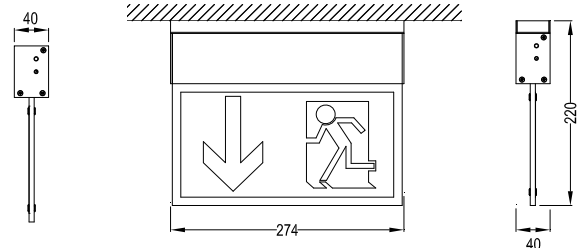
Wall mounted Art. No. M7.25.01



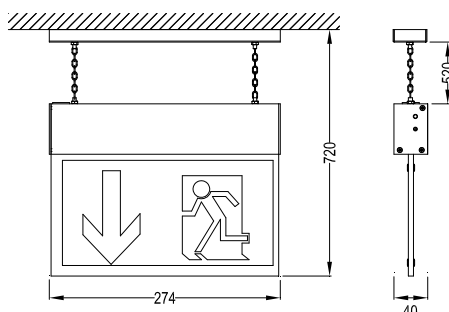
Outrigger mounted Art. No. M7.25.02



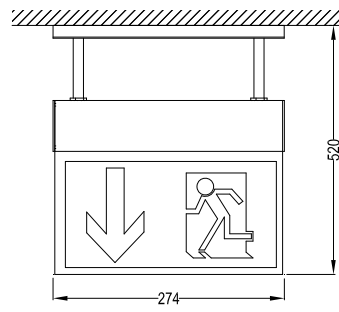
Ceiling mounted Art. No. M7.25.03



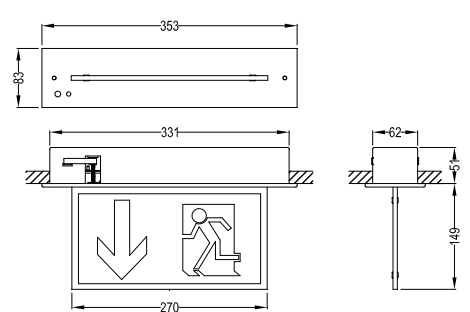
Chain suspended Art. No. M7.25.04



Pole mounted Art. No. M7.25.05



Recessed ceiling mounted Art. No. M7.25.06



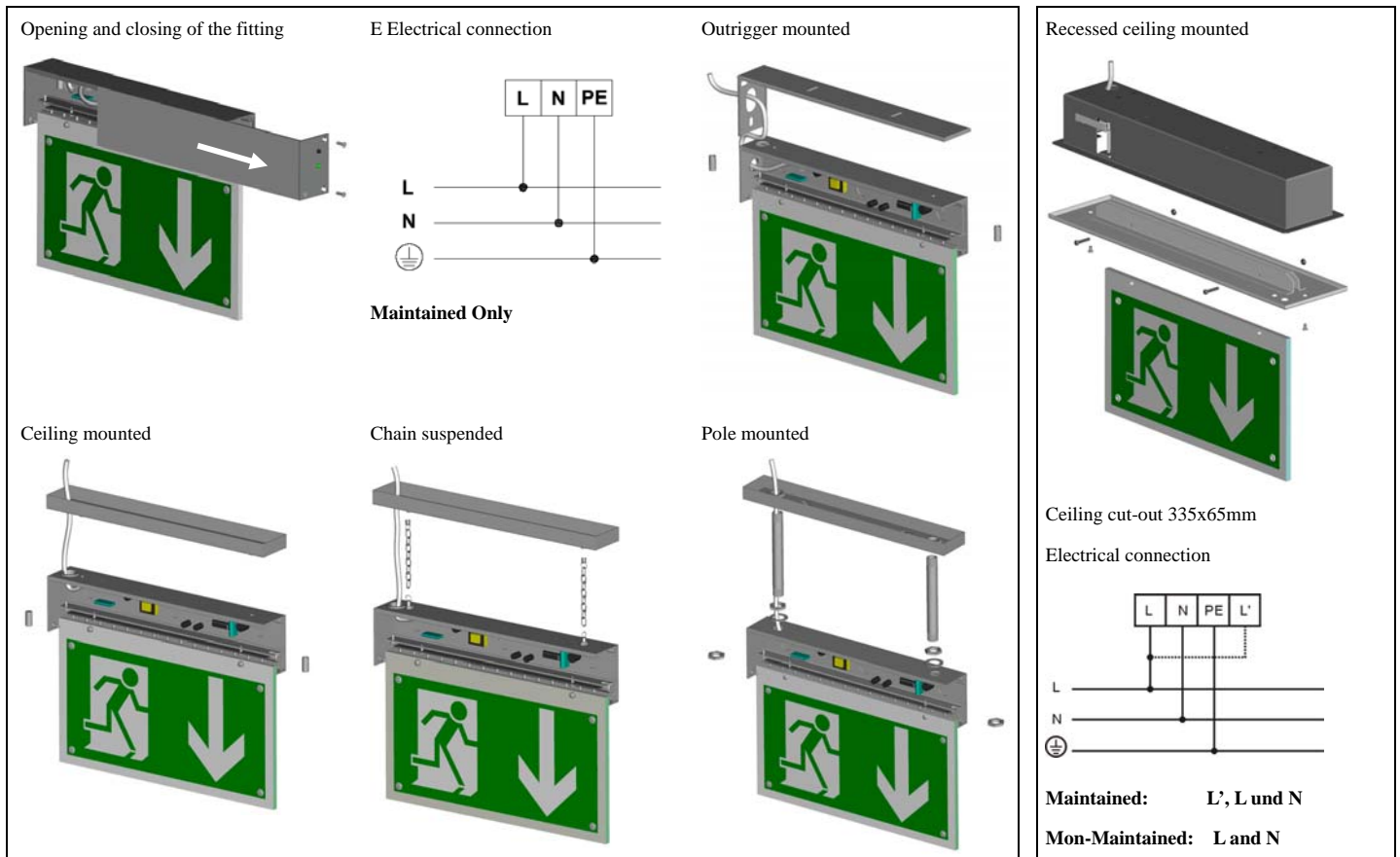
INSTALLATION



CAUTION: Work on the 230V mains circuit to be carried out by qualified electricians only, observing national installation regulations. Before installing the product, switch off the mains supply.

Surface mounted

Recessed ceiling mounted



NOTE: Write installation date on the battery's label. The light is supplied with discharged battery and must be connected to the mains for at least 20 h so that the battery can be charged to its working capacity.

SELF-TEST

20 h after applying mains voltage a **functional test** is automatically run (30 sec., items checked: changeover and lamp).

After a further 4 h, an automatic 3 h **duration test** is run. (If the test button is pressed for 5 sec. before the duration test has ended, the operation duration test is aborted.).

Following the first duration test, regardless of whether or not this was passed, the weekly cycle of functional test and yearly cycle of duration test are automatically started.

MANUAL TEST

| Test button | Green LED | Status |
|---------------------------|-----------|---------------------------------|
| Press for about 1 s | OFF | Emergency mode for 1 second |
| Press for about 3 s | Blinking | Functional test for 30 seconds. |
| Press for about 5 s | Flashing | Duration test |
| Press again for about 5 s | | Interruption of duration test |

Meaning of the indicator LED

| | | | |
|--|---|--|--------------------------------------|
| | Mains operation No fault | | Duration test failed |
| | Blinking Functional test | | Blinking Lamp / changeover fault |
| | Flashing Duration test | | Flashing Battery / charging fault |
| | Mains failure + Emergency light operation | | |

The status display can only be cleared after the fault has been rectified, mains voltage has been reapplied and a functional test has been run.