

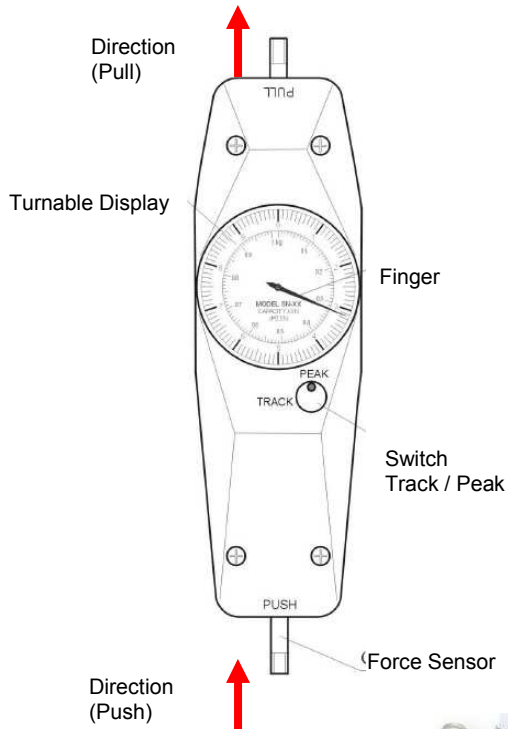
Instruction Manual FA



Thank you for buying a SAUTER force gauge. We hope you are pleased with your high quality force gauge with its big functional range. If you have any queries, wishes or helpful suggestions, do not hesitate to call our service number.

1. Scope of Delivery

- SAUTER FA
- Carrying Case
- Standard Attachments as shown below, 8 x M3 Screws



Explanation:

- Track = continuous measuring
- Peak = Capture of the Maximum value



2. Working Conditions

10°C to 30°C / 15% up to 80% humidity

3. Technical Data

- Accuracy: $\pm 1\%$ of capacity
- Weight: 560 g
- Dimensions in mm: 230 x 60 x 50

4. Measurement

Screw on a capable attachment, included in the case

Track or Peak: Switch while pressing and turning the knob at the same time, to get the right position

Tare Funktion: Press knob once to get into Peak-Position.

Zero Setting: Just turn the display

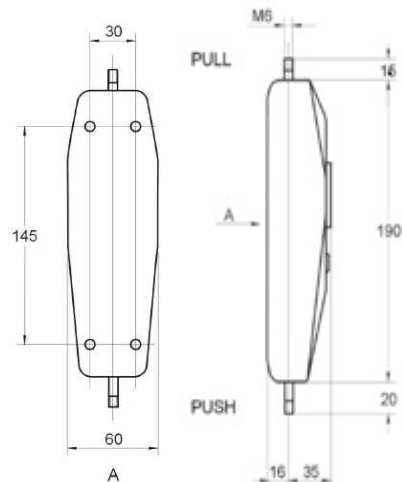
Advice: When Force Gauge is not in use, leave it in Peak Position; this will extend life of the spring measurement system

5. Adaptation to Test Stands

Onto all test stands with four M3 screws. The backside body has to be removed.

6. Drawings

Dimensions in mm



7. Warning

Intended use

The instrument you have acquired serves to determine the measuring value of the material to be measured. It is intended to be used as a "non-automatic" instrument, i.e. the material to be measured is manually and carefully

Instruction Manual FA

attached at the instrument. The measuring value can be read off after a stable measuring value has been obtained.

Inappropriate use

Do not use the instrument for medical measurements. In the case that small quantities are removed or added to the material to be measured, incorrect measuring results can be displayed, due to the "stability compensation" in the instrument (such as slow draining off of liquid from a container suspended from the instrument). Do not attach a continuous load. This can damage the measuring unit as well as the parts, relevant to safety.

Prevent jolts, torsion and oscillation (e.g. by appending slopingly) of all kinds. Be sure to prevent overloading the instrument in excess of the stated maximum load (max.), minus any tare weight that may possibly exist. This could damage the instrument (risk of breakage).

Important:

- Always make sure that there are no people or materials below the load that could be injured or damaged!
- The instrument is not suitable for measuring people. Do not use as a baby scale!
- The instrument does not comply with the medical product law (MPG).

Never operate the instrument in hazardous locations. The series design is not explosion-proof. Structural alterations may not be exerted on the instrument. This can lead to incorrect measuring results, faults concerning safety regulations as well as to destruction of the instrument. The instrument may only be used in compliance with the described guidelines. Varying ranges of applications or planned use must be approved by SAUTER in writing.

Warranty

The warranty is not valid under following aspects:

- non-observance of our guidelines in the operating instructions
- use outside the described applications
- alterations to or opening of the device
- mechanical damage and damage caused by media, liquids
- natural wear and tear
- inappropriate setting up or electric installation
- overloading of the measuring equipment

Monitoring the test substances

The metrology features of the instrument and any possible available adjusting weight must be checked at regular intervals within the scope of quality assurance. For this purpose, the answerable user must define a suitable interval as well as the nature and scope of this check. Information is available on the home page

(www.KERN-sohn.com) with regard to the monitoring of instrument test substances and the test weights required for this. Test weights and instruments can be adjusted quickly and reasonably priced in KERN's accredited DKD calibration laboratory (return to national normal).

Fundamental safety information

Do not use the hanging instrument to transport loads. Prevent jolts, torsion and oscillation (e.g. by suspending aslope) of all kinds.

Be sure to prevent overloading the instrument (over the maximum permitted weight) in excess of the stated maximum load (max.), minus any tare weight that may possibly exist. This could damage the instrument (risk of breakage!!!).

Always make sure that there are no living beings or materials below the load that could be injured or damaged.

The hanging electronic instruments from the SAUTER series are only suitable for hand-held use or use together with a test stand.

They are not suitable being hung on a mechanical hook, e.g. a crane hook.

9.5.1 Observe the information in the operating instructions please read the instruction manual carefully before assembling and the initial operation, even if you already have gained experience with SAUTER instruments.

9.5.2 Staff training

The device may only be operated and maintained by trained members of staff.

