

<b>PROPRIETARY INFORMATION:</b> PROPRIETARY OF GLOBTEK, INC. ANY REPRODUCTION, DISCLOSURE OR USE OF THIS DRAWING, IN WHOLE OR IN PART, IS HEREBY PROHIBITED EXCEPT AS SPECIFIED IN WRITING BY GLOBTEK, INC.	REVISION			
	REV	DESCRIPTION	DATE	APPROVED
	A	INITIAL RELEASE, RFS.23008, CL	05/25/12	HM



All models under this series are Certified to be in compliance with all the applicable requirements of UL60601-1 2nd Edition, CSA 22.2 No.601.1-M90 and EN 60601-1:A2. Globtek's Medical power supplies are designed to be used in applications that do not connect the output to Patient Circuits directly. The power supply can be used in systems with patient applied parts only when appropriate system level isolation is provided by the end user.

**1. NOTES:**

DIMENSIONS ARE IN MM UNLESS SPECIFIED OTHERWISE.

**2. ELECTRICAL SPECIFICATIONS:**

INPUT VOLTAGE:	100-240 VAC
INPUT CURRENT:	0.5 A RMS MAX
INPUT FREQUENCY:	47 - 63Hz
OUTPUT VOLTAGE :	12VDC
OUTPUT CURRENT :	0.5A,NO MINIMUM LOAD REQUIRED TO MAINTAIN OUTPUT VOLTAGE REGULATION
OUTPUT POWER (RATED):	6WATTS MAX
SWITCHING FREQUENCY	
OUTPUT RIPPLE (PEAK TO PEAK):	1% OR 50 mV WHICHEVER IS GREATER. MEASURED AT 20 MHZ BANDWIDTH WITH 0.1 µf CERAMIC CAPACITOR IN PARALLEL WITH 10 µf ELECTROLYTIC CAPACITOR CONNECTED AT THE END OF OUTPUT CONNECTOR ± 5 % OF NOMINAL OUTPUT VOLTAGE, MEASURED AT O/P CONNECTOR AT NOMINAL LINE
OUTPUT LOAD REGULATION:	± 1 % OF NOMINAL OUTPUT VOLTAGE MEASURED AT O/P CONNECTOR
LINE REGULATION:	5% MAX 500µS MAX RECOVERY TIME FOR 25% STEP LOAD
TURN ON/ TURN OFF OVERSHOOT:	3000 mSEC MAX
TURN-ON DELAY:	8 mSEC MIN AT NOMINAL INPUT AND FULL LOAD
HOLD-UP TIME:	30 A MAX AT COLD START 120 VAC, 60A MAX COLD START 230VAC
INRUSH CURRENT:	66.5 KHz TYPICAL
SWITCHING FREQUENCY:	PROTECTED, UNIT WILL AUTORECOVER UPON REMOVAL OF FAULT
OVER-VOLTAGE PROTECTION:	PROTECTED, UNIT WILL AUTORECOVER UPON REMOVAL OF FAULT
OVER-CURRENT / SHORT CIRCUIT:	INPUT LINE AND NEUTRAL FUSING
OTHER PROTECTION:	UL60601-1, CUL TO 22.2 NO. 601.1-M90, INNOVA BAUART TO EN60601-1 CE CLASS II, PSE TO J60601-1, CB REPORT TO IEC 60601-1:2005 (3rd EDITION) AS/NZ TO 60601-1, C-TICK TO EN55011, CCC
SAFETY APPROVALS :	5656 VDC PRIMARY-SECONDARY ≤ 100 µA AT 240 VAC
DIELECTRIC WITHSTAND VOLTAGE:	COMPLIES WITH EN55011 CLASS B AND FCC PART 15 CLASS B
LEAKAGE CURRENT:	WHEN TESTED WITH A RESISTIVE LOAD, BOTH CONDUCTED AND RADIATED,VCCI
EMI:	TESTED TO COMPLY WITH EN61000-3-2, EN61000-3-3, EN60601-1-2 2001, INCLUDING EN61000-4-2, EN61000-4-3, EN61000-4-4, EN61000-4-5, EN61000-4-6, EN61000-4-8, EN61000-4-11.
CE MARK:	COMPLIES TO SECTION 301 OF ENERGY INDEPENDENCE AND SECURITY ACT (EISA) COMPLIES WITH ENERGY STAR TIER 2 (NORTH AMERICA), CECP TIER 2 (CHINA), MEPS TIER 2 (AUSTRALIA), CODE OF CONDUCT (EUROPE)
EFFICIENCY:	5.1 ~ 6.9V WITH 1000 mm CABLE ONLY
MTBF:	200,000 HOURS AT 25°C AMBIENT TEMPERATURE
OPERATING TEMPERATURE:	0°C TO 40° C
STORAGE TEMPERATURE:	-40°C TO 80° C
HUMIDITY:	0% TO 90% RELATIVE HUMIDITY
ROHS:	COMPLIES WITH EU 2002/95/EC AND CHINA SJ/T 11363-2006

Foot Note: Globtek Inc. will not be liable for the safety and performance of these power supplies if unauthorized access and repair occurs. End user should consult applicable UL, CSA or EN standards for proper installation instructions	<b>C</b>	PART NO	REV.	DESCRIPTION	NOTES		
		<b>TABULATION BLOCK</b>					
				<b>TOLERANCES:</b> DECIMALS    ANGULAR .xx +/- 0.1    +/- 1° .xxx +/- .005	穩得實業股份有限公司		
		INIT.BY: DMR	DATE: 07/19/06	MILLIMETERS    ANGULAR .xx +/- 0.3    +/- 1° .xxx +/- .013			
Limitation of Use: Globtek product are not authorized for use as mission critical components in life support, hazardous environment, nuclear or aircraft applications without prior written approval from the CEO of Globtek Inc.	DRAWN: NF	DATE: 07/19/06	FSCN No.: G, N	SIZE A	DWG TITLE: WALL PLUG-IN SWITCHING POWER SUPPLY, 6WATTS, 12V@ 0.5A UNIVERSAL INPUT, MEDICAL, CLASS II  MODEL NO: GTM41076-0612      REV. A		
	APRVD : HM	DATE: 07/19/06	CAGE CODE: 0GV V90	SCALE: NONE	PART NO: <b>WR9QE500CCP-N-MED-WD</b> SHEET 1 OF 6		
Contents of this document are subject to change without prior notice							

**PROPRIETARY INFORMATION:**

PROPRIETARY OF GLOBTEK, INC. ANY REPRODUCTION, DISCLOSURE OR USE OF THIS DRAWING, IN WHOLE OR IN PART, IS HEREBY PROHIBITED EXCEPT AS SPECIFIED IN WRITING BY GLOBTEK, INC.

**3. ENCLOSURE**

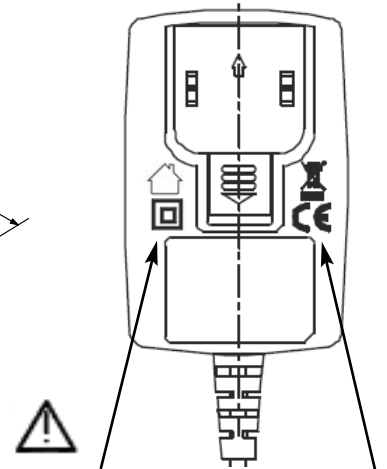
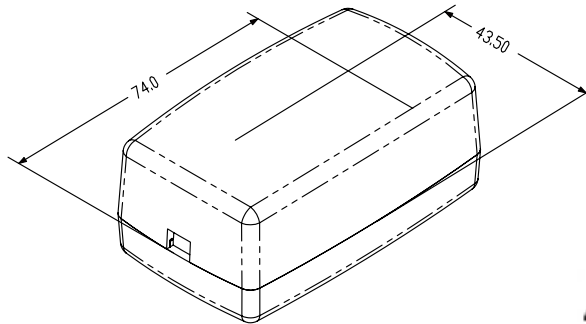
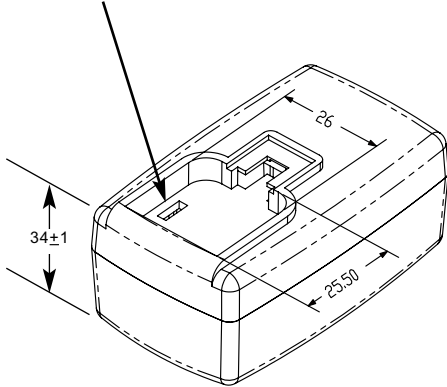
UPPER HOUSING: HIGH IMPACT PLASTIC, 94V0 POLYCARBONATE, NON-VENTED, COLOR BLACK

LOWER HOUSING: HIGH IMPACT PLASTIC 94V0 POLYCARBONATE, NON- VENTED, COLOR BLACK

SIZE: 74 x 43.5 x 34 mm



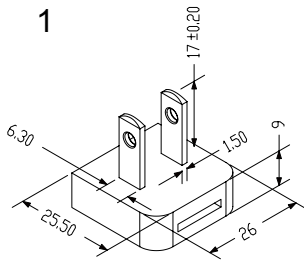
SHIPS WITHOUT AC PINS INSTALLED



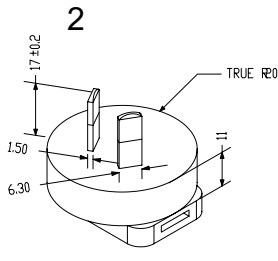
APPROVALS MOLDED ON THE CASE

**4. INPUT CONNECTORS:**

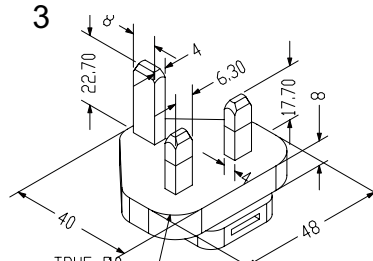
INPUT CONNECTORS OPTIONS Pins or Kits must be ordered separately		Input connector Kit options			
		Q-Kit	Q-Kit- NTL	Q-Kit-6	Q-Kit-7
1	CLASS II MODEL NEMA 1-15P AC POWER PLUG WITH 2 PRONGS, Q-NA(R)	X		X	X
2	AUSTRALIAN CONFIGURATION: SAA 2 PINS CLASS II, Q-SAA(R)	X	X	X	X
3	UK CONFIGURATION: UK 2 PINS CLASS II, Q-UK(R)	X	X	X	X
4	EUROPEAN CONFIGURATION: EUROPLUG 2 PINS, CLASS II, Q-EU(R)	X	X	X	X
5	KOREAN CONFIGURATION: Q-KR(R)			X	X
6	ARGENTINA CONFIGURATION: Q-AR(R)			X	X
7	CHINA CONFIGURATION: Q-CN(R)				X



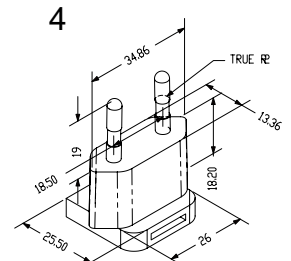
P/N: Q-NA (R)  
NORTH AMERICA  
JAPAN



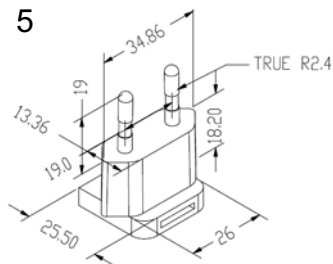
P/N: Q-SAA(R)  
AUSTRALIA



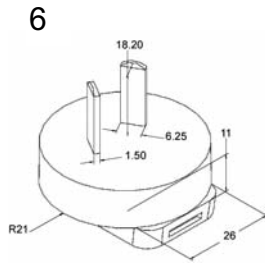
P/N: Q-UK(R)  
UNITED KINGDOM  
HONG KONG  
SINGAPORE



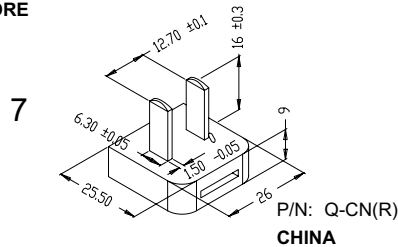
P/N: Q-EU(R)  
EUROPE  
SOUTH AMERICA



P/N: Q-KR(R)  
KOREA



P/N: Q-AR(R)  
ARGENTINA



P/N: Q-CN(R)  
CHINA

DWG TITLE: WALL PLUG-IN SWITCHING POWER SUPPLY, 6WATTS, 12V@ 0.5A  
UNIVERSAL INPUT, MEDICAL, CLASS II

MODEL NO: GTM41076-0612

REV.  
A

PART NO: **WR9QE500CCP-N-MED-WD**

SHEET 2 OF 6

**PROPRIETARY INFORMATION:**

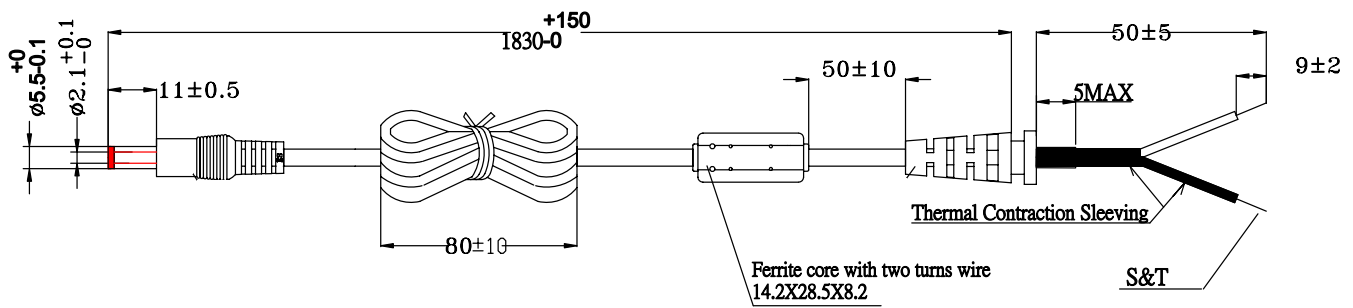
PROPRIETARY OF GLOBTEK, INC. ANY REPRODUCTION, DISCLOSURE OR USE OF THIS DRAWING, IN WHOLE OR IN PART, IS HEREBY PROHIBITED EXCEPT AS SPECIFIED IN WRITING BY GLOBTEK, INC.

**5. OUTPUT CORD:**

1 CONDUCTOR+SHIELD , 18 AWG STRANDED WIRE, ROUND UL 1185, COLOR BLACK, LENGTH OF CORD: 1830 +150, -0 mm. CORD IS MEASURED FROM THE HOUSING TO THE END OF OVERMOLD OF THE CONNECTOR. CABLE IS TO BE MARKED WITH WIRE GAUGE, AND ALL APPLICABLE RATING AND SAFETY APPROVALS. **CABLE HAS MOLDED INLINE FERRITE.**

**6. OUTPUT CONNECTOR:**

STANDARD, STRAIGHT FEMALE BARREL 5.5 x 2.1 x 11 mm WITH CENTER POSITIVE:



DWG TITLE: WALL PLUG-IN SWITCHING POWER SUPPLY, 6WATTS, 12V@ 0.5A  
UNIVERSAL INPUT, MEDICAL, CLASS II

MODEL NO: GTM41076-0612

REV.  
A

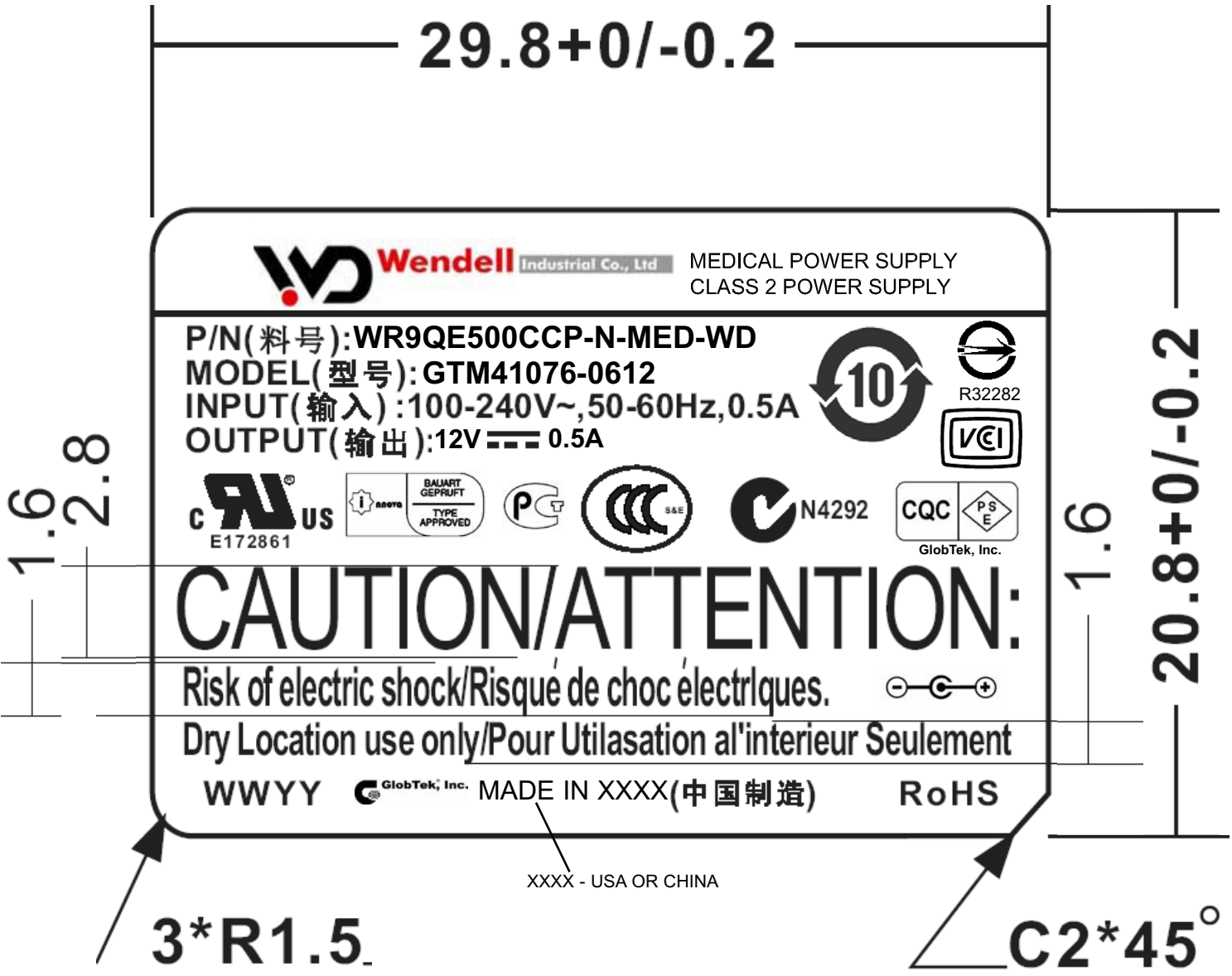
PART NO: **WR9QE500CCP-N-MED-WD**

SHEET 3 OF 6

PROPRIETARY INFORMATION:  
 PROPRIETARY OF GLOBTEK, INC. ANY REPRODUCTION, DISCLOSURE OR  
 USE OF THIS DRAWING, IN WHOLE OR IN PART, IS HEREBY  
 PROHIBITED EXCEPT AS SPECIFIED IN WRITING BY GLOBTEK, INC.

**6. LABEL:**

MATERIAL: .007 (0.18) THICK FLAT THERMAL TRANSFER, IMPRINTABLE, BLACK POLYESTER SHEET WITH WHITE OR SILVER NOMENCLATURE.  
 MANUFACTURER: STEVEN LABEL, MATERIAL I.D. NO.3302-33, UL FILE NO. MH12821(N), UL MATERIAL DESIGNATION FILE NO. GHW332RL.  
 OPTIONAL LABEL MATERIAL CAN BE SUBSTITUTED PROVIDING MATERIAL IS UL LISTED AND COMPLIES WITH APPLICABLE SAFETY REQUIREMENTS.



ACTUAL POSITIONING OF SYMBOLS AND TEXT IS SUBJECT TO CHANGE AT TIME OF MANUFACTURE

DWG TITLE: WALL PLUG-IN SWITCHING POWER SUPPLY, 6WATTS, 12V@ 0.5A UNIVERSAL INPUT, MEDICAL, CLASS II	
MODEL NO: GTM41076-0612	REV. A
PART NO: WR9QE500CCP-N-MED-WD	SHEET 4 OF 6

**PROPRIETARY INFORMATION:**

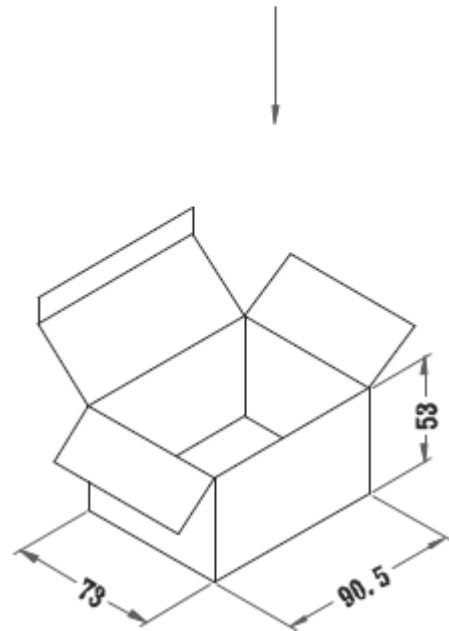
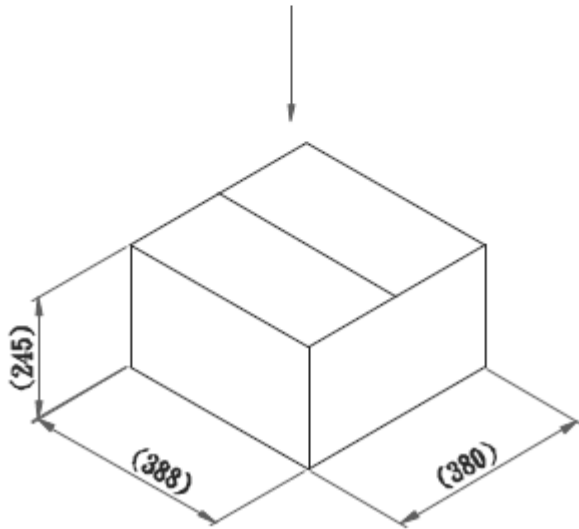
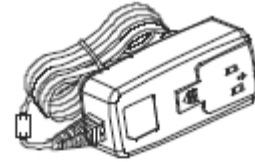
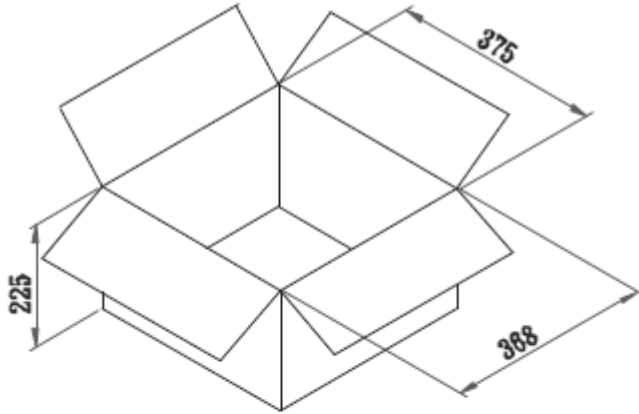
PROPRIETARY OF GLOBTEK, INC. ANY REPRODUCTION, DISCLOSURE OR USE OF THIS DRAWING, IN WHOLE OR IN PART, IS HEREBY PROHIBITED EXCEPT AS SPECIFIED IN WRITING BY GLOBTEK, INC.

**7. PACKING:**

CARTON SIZE: 375 x 368 x 225 mm

Q'TY: 80 PCS (20\*4)

GROSS WT: 13.5 KG



DWG TITLE: WALL PLUG-IN SWITCHING POWER SUPPLY, 6WATTS, 12V@ 0.5A  
UNIVERSAL INPUT, MEDICAL, CLASS II

MODEL NO: GTM41076-0612

REV.  
A

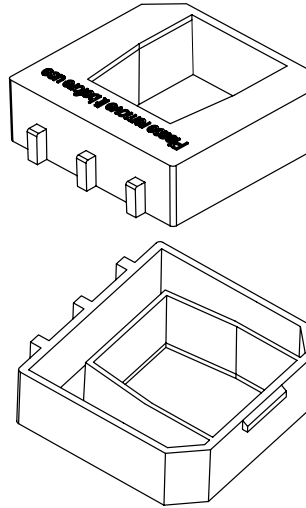
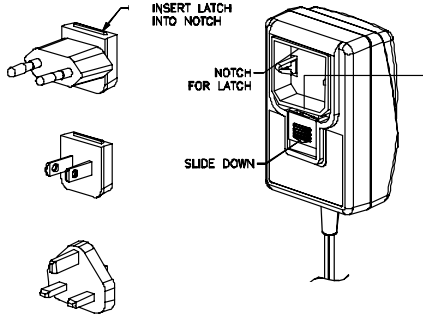
PART NO: **WR9QE500CCP-N-MED-WD**

SHEET 5 OF 6

**PROPRIETARY INFORMATION:**  
 PROPRIETARY OF GLOBTEK, INC. ANY REPRODUCTION, DISCLOSURE OR USE OF THIS DRAWING, IN WHOLE OR IN PART, IS HEREBY PROHIBITED EXCEPT AS SPECIFIED IN WRITING BY GLOBTEK, INC.

**AC PLUG ASSEMBLY INSTRUCTION**

PROTECTION FRAME(Color white or black)  
 Note: Please remove before insert the AC PLUG



**China RoHS SELF DISCLOSURE TABLE**

有毒有害物质或元素名称及含量标准形式 Name and concentration of hazardous substance or element in product						
零件名 Name of part	剧毒有害物质或元素 Hazardous substance or element					
	铅 Pb	汞 Hg	镉 Cd	六价铬 Cr(VI)	多溴联苯 PBB	多溴二苯醚 PBDE
Diode (DF) 二极管	X	○	○	○	○	○
SMD resistor SMD 电阻	X	○	○	○	○	○
SMD Diode SMD 二极管	X	○	○	○	○	○
AC PIN 交流输入端子	X	○	○	○	○	○

○: 表示该有毒有害物质在这部件中所有同质材料中的含量均在SJ/T 11363-2006规定的限量要求以下。  
 ○: refers to the concentration of this hazard substance in the all homogenous materials in this part is below the concentration limit as stipulated in the standard SJ/T 11363-2006.

X: 表示该有毒有害物质至少在这部件中的某一同质材料中的含量超出 SJ/T 11363-2006规定的限量要求。  
 X: refers to the concentration of this hazard substance at least in a homogenous material is higher than the concentration limit as stipulated in the standard SJ/T 11363-2006.

DWG TITLE: WALL PLUG-IN SWITCHING POWER SUPPLY, 6WATTS, 12V@ 0.5A  
 UNIVERSAL INPUT, MEDICAL, CLASS II

MODEL NO: GTM41076-0612

REV.  
A

PART NO: **WR9QE500CCP-N-MED-WD**

SHEET 6 OF 6