

## Interface module - VIP-2/SC/D15SUB/M/LED - 2322155

Please be informed that the data shown in this PDF Document is generated from our Online Catalog. Please find the complete data in the user's documentation. Our General Terms of Use for Downloads are valid (<http://download.phoenixcontact.com>)



VARIOFACE module, with screw connection and D-Subminiature pin strip, for mounting on NS 35 rails, with LED, 15-pos.

### Product Features

- 9 to 50-pos.
- Metal foot
- According to IEC 60603-13
- 1:1 connection
- Screw connection



### Key commercial data

package_quantity	1
GTIN	4046356451772

### Technical data

#### Dimensions

Width	50 mm
Height	65.5 mm
Depth	45.1 mm

#### Ambient conditions

Ambient temperature (operation)	-20 °C ... 50 °C
Ambient temperature (storage/transport)	-20 °C ... 70 °C

#### General

Nominal voltage $U_N$	24 V DC
Max. current carrying capacity per branch	2.5 A
Number of positions	15
Status display	LED
Mounting position	Any
Standards/regulations	IEC 60664
Standards/regulations	DIN EN 50178
Standards/regulations	IEC 62103

# Interface module - VIP-2/SC/D15SUB/M/LED - 2322155

## Technical data

### General

<b>Pollution degree</b>	2
<b>Surge voltage category</b>	II

### Connection data for connection 1

<b>Connection name</b>	PCB connection
<b>Connection in acc. with standard</b>	IEC / EN
<b>Connection method</b>	Screw connection
<b>Conductor cross section solid min.</b>	0.2 mm <sup>2</sup>
<b>Conductor cross section solid max.</b>	4 mm <sup>2</sup>
<b>Conductor cross section stranded min.</b>	0.2 mm <sup>2</sup>
<b>Conductor cross section stranded max.</b>	2.5 mm <sup>2</sup>
<b>Conductor cross section AWG/kcmil min.</b>	24
<b>Conductor cross section AWG/kcmil max</b>	12
<b>Stripping length</b>	8 mm
<b>Screw thread</b>	M3

### Connection data for connection 2

<b>Connection name</b>	D-SUB connection
<b>Number of connections</b>	1
<b>Connection method</b>	D-SUB pin strip
<b>Number of positions</b>	15

## classifications

### eCl@ss

<b>eCl@ss 4.0</b>	27250313
<b>eCl@ss 4.1</b>	27250313
<b>eCl@ss 5.0</b>	27250313
<b>eCl@ss 5.1</b>	27250313
<b>eCl@ss 6.0</b>	27242608
<b>eCl@ss 7.0</b>	27242608
<b>eCl@ss 8.0</b>	27242608

### ETIM

<b>ETIM 2.0</b>	EC001434
<b>ETIM 3.0</b>	EC001604
<b>ETIM 4.0</b>	EC001604
<b>ETIM 5.0</b>	EC001604

### UNSPSC

<b>UNSPSC 6.01</b>	30211824
<b>UNSPSC 7.0901</b>	39121421
<b>UNSPSC 11</b>	39121421
<b>UNSPSC 12.01</b>	39121421

# Interface module - VIP-2/SC/D15SUB/M/LED - 2322155

## classifications

### UNSPSC

<b>UNSPSC 13.2</b>	39121421
--------------------	----------

## approvals

UL Recognized / cUL Recognized / cULus Recognized /

### Approval details

<b>UL Recognized</b>	
Nominal voltage UN	
Nominal current IN	2 A
mm <sup>2</sup> /AWG/kcmil	30-12

<b>cUL Recognized</b>	
Nominal voltage UN	
Nominal current IN	2 A
mm <sup>2</sup> /AWG/kcmil	30-12

<b>cULus Recognized</b>	
-------------------------	--

## accessories

### System cable

CABLE-D15SUB/B/S/ 50/KONFEK/S - 2302052



## Interface module - VIP-2/SC/D15SUB/M/LED - 2322155

### accessories

CABLE-D15SUB/B/S/100/KONFEK/S - 2302065



CABLE-D15SUB/B/S/150/KONFEK/S - 2302078



CABLE-D15SUB/B/S/200/KONFEK/S - 2302081



CABLE-D15SUB/B/S/300/KONFEK/S - 2302094



CABLE-D15SUB/B/S/400/KONFEK/S - 2302104



CABLE-D15SUB/B/S/600/KONFEK/S - 2302117



# Interface module - VIP-2/SC/D15SUB/M/LED - 2322155

accessories

---

CABLE D-SUB-S/.../.../... - 2302340



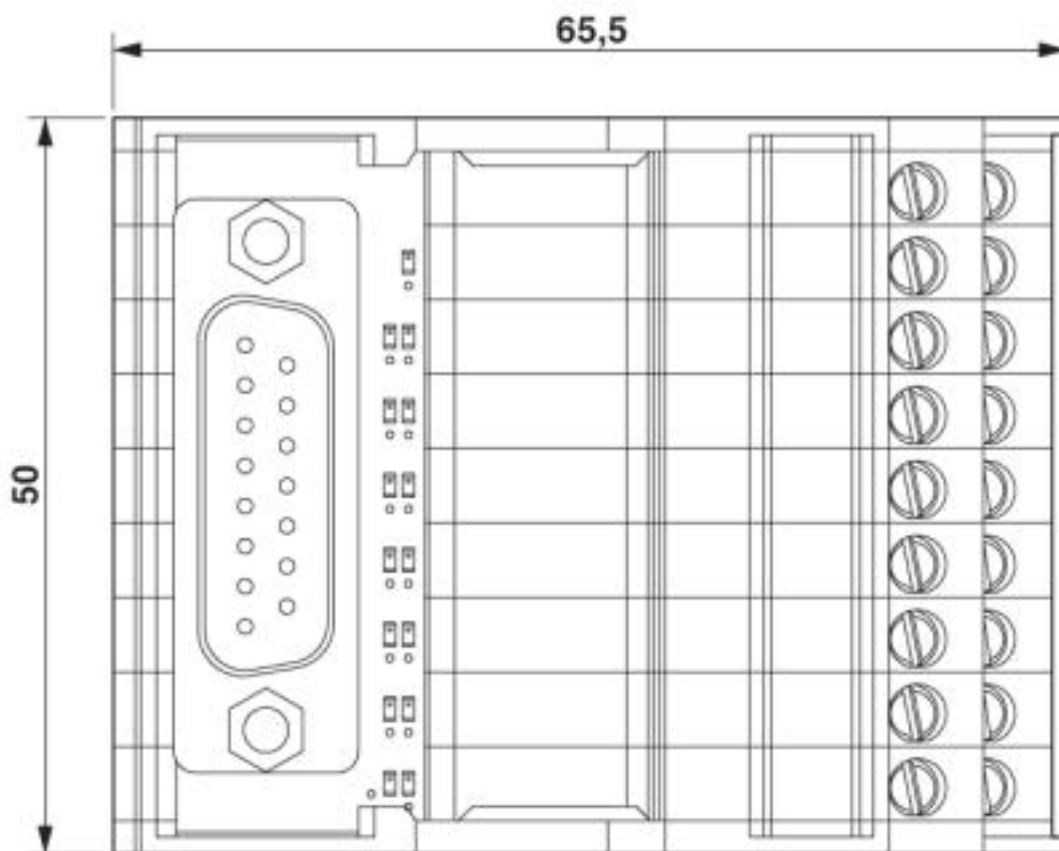
CABLE D-SUB-B-B-S/.../.../... - 2302421



---

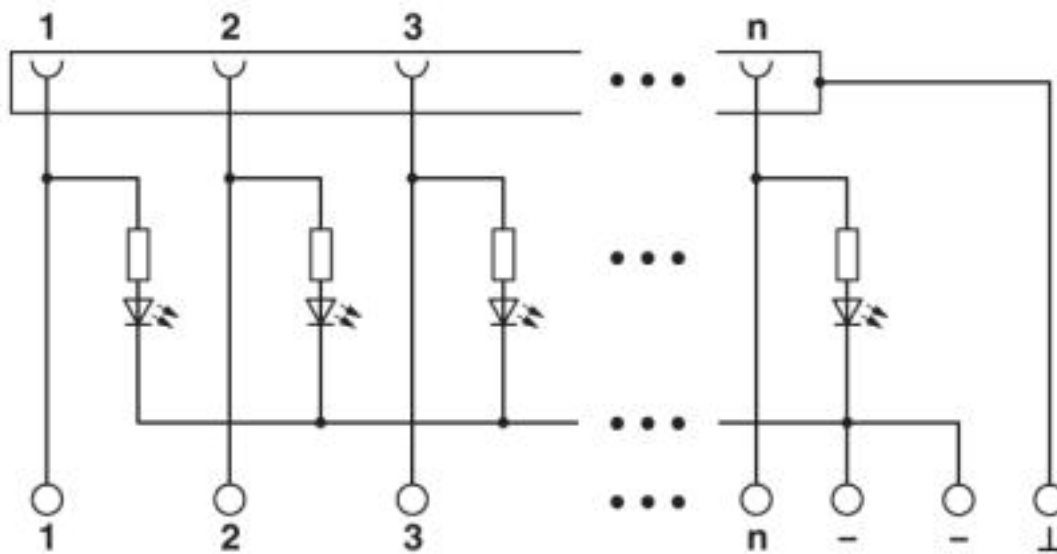
## Drawings

Dimensioned drawing



# Interface module - VIP-2/SC/D15SUB/M/LED - 2322155

Circuit diagram



© Phoenix Contact 2013 - all rights reserved  
<http://www.phoenixcontact.com>