

Contact insert - VC-TFS 6-PE - 1583526

Please be informed that the data shown in this PDF Document is generated from our Online Catalog. Please find the complete data in the user's documentation. Our General Terms of Use for Downloads are valid (<http://download.phoenixcontact.com>)



Contact insert module, for sleeve frames, with screw connection, 5-pos. + PE connection, 250 V / 10 A

Product Features

- Compact design
- Proven COMBICON technology
- Universal connection
- Can be keyed to prevent incorrect connection

Key commercial data

| | |
|-------------------------|---------------|
| package_quantity | 50 |
| GTIN | 4046356153263 |

Technical data

General

| | |
|--|---|
| Note | Connectors may only be connected/disconnected when under no load. |
| Connection method | Screw connection |
| Connection method | Screw connection |
| Tightening torque | 0.22 Nm ... 0.25 Nm |
| Pollution degree | 3 |
| Surge voltage category | III |
| Number of positions | 5+PE |
| Conductor cross section | 0.14 mm ² ... 1.5 mm ² |
| Connection cross section AWG | 28 ... 16 |
| Stripping length of the individual wire | 7 mm |

Ambient conditions

| | |
|--|-------------------|
| Ambient temperature (operation) | -40 °C ... 100 °C |
|--|-------------------|

Material data

| | |
|--|------------|
| Inflammability class according to UL 94 | V0 |
| Contact material | CuZn |
| Contact surface material | Tin-plated |
| Contact carrier material | PA |

Electrical characteristics

Contact insert - VC-TFS 6-PE - 1583526

Technical data

Electrical characteristics

| | |
|-----------------------|-------|
| Rated voltage (III/3) | 250 V |
| Rated surge voltage | 4 kV |
| Rated surge voltage | 4 kV |
| Rated current | 10 A |
| Rated current | 10 A |

classifications

eCl@ss

| | |
|------------|----------|
| eCl@ss 4.0 | 272607xx |
| eCl@ss 4.1 | 27260701 |
| eCl@ss 5.0 | 27143424 |
| eCl@ss 5.1 | 27143424 |
| eCl@ss 6.0 | 27279220 |
| eCl@ss 7.0 | 27440103 |
| eCl@ss 8.0 | 27440103 |

ETIM

| | |
|----------|----------|
| ETIM 3.0 | EC000438 |
| ETIM 4.0 | EC000438 |
| ETIM 5.0 | EC000438 |

UNSPSC

| | |
|---------------|----------|
| UNSPSC 6.01 | 30211923 |
| UNSPSC 7.0901 | 39121522 |
| UNSPSC 11 | 39121522 |
| UNSPSC 12.01 | 39121522 |
| UNSPSC 13.2 | 39121522 |

approvals

GOST /

Approval details



accessories

Coding element

Contact insert - VC-TFS 6-PE - 1583526

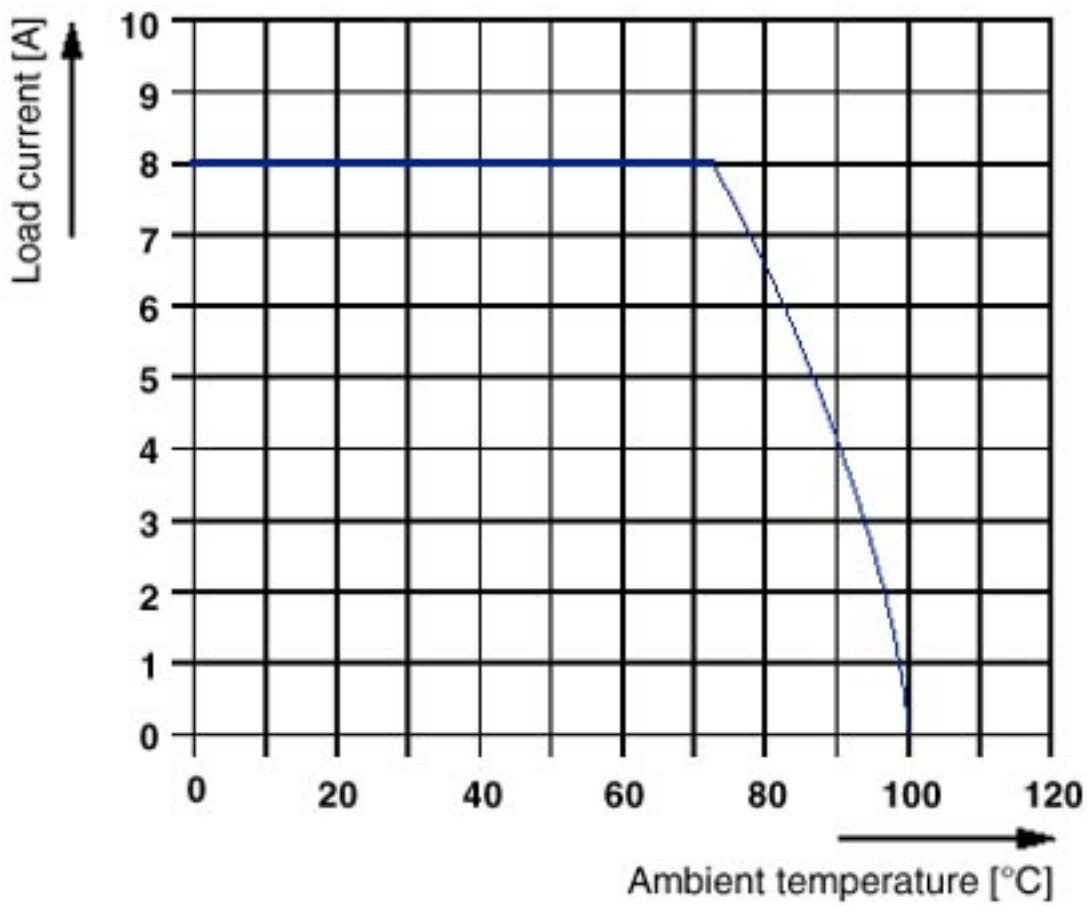
accessories

CP-MSTB - 1734634



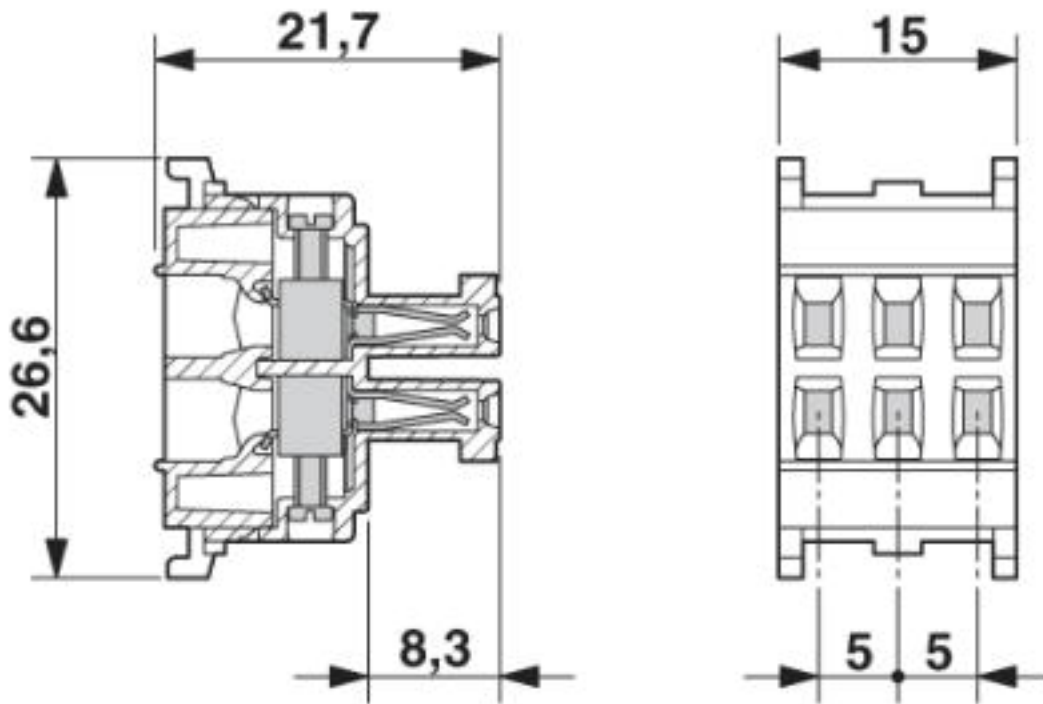
Drawings

Diagram



Contact insert - VC-TFS 6-PE - 1583526

Dimensioned drawing



© Phoenix Contact 2013 - all rights reserved
<http://www.phoenixcontact.com>