

D-SUB contact support - VS-25-ST-DSUB-CD-G - 1689938

Please be informed that the data shown in this PDF Document is generated from our Online Catalog. Please find the complete data in the user's documentation. Our General Terms of Use for Downloads are valid (<http://download.phoenixcontact.com>)



D-SUB contact carrier, shell size 3, for 25 signal contacts, contact type pin, for crimp contacts, straight, fixing with 4-40 UNC thread, for panel mounting frame VS-25-...

Key commercial data

package_quantity	10
GTIN	4017918914332

Technical data

Mechanical characteristics

Number of positions	25
Connection profile	25-pos. D-SUB
Insertion/withdrawal cycles	≥ 500
Connection method	Crimp connection

Ambient conditions

Ambient temperature (operation)	-55 °C ... 125 °C
--	-------------------

Material data

Inflammability class according to UL 94	V0
Housing material	Steel, yellow chromated
Contact carrier material	Polyester GF

Electrical characteristics

Rated voltage (III/3)	125 V
Rated current	5 A

classifications

eCl@ss

eCl@ss 4.0	27140816
eCl@ss 4.1	27260701
eCl@ss 5.0	27260701
eCl@ss 5.1	27260701
eCl@ss 6.0	27261203
eCl@ss 7.0	27440202
eCl@ss 8.0	27440202

D-SUB contact support - VS-25-ST-DSUB-CD-G - 1689938

classifications

ETIM

ETIM 2.0	EC000437
ETIM 3.0	EC000437
ETIM 4.0	EC000437
ETIM 5.0	EC000437

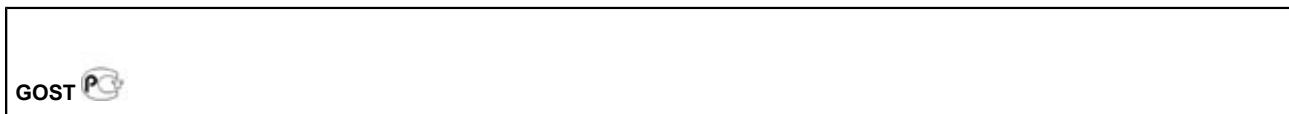
UNSPSC

UNSPSC 6.01	30211923
UNSPSC 7.0901	39121522
UNSPSC 11	39121522
UNSPSC 12.01	39121522
UNSPSC 13.2	39121522

approvals

GOST /

Approval details



accessories

Crimp contact

VS-ST-CD-1,0/14,8/0,2 - 1688971



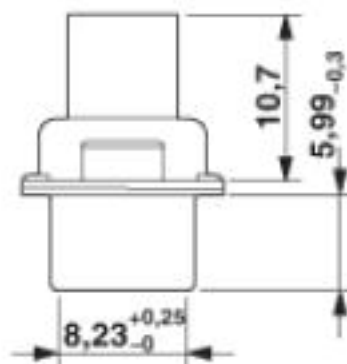
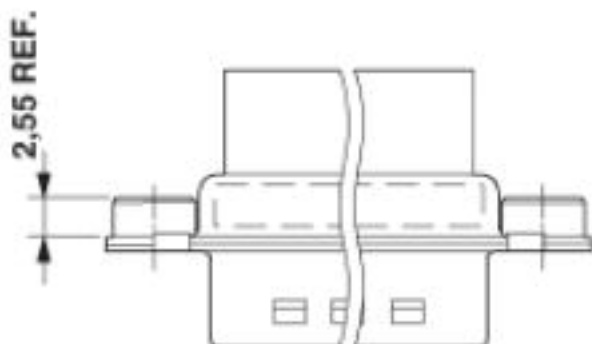
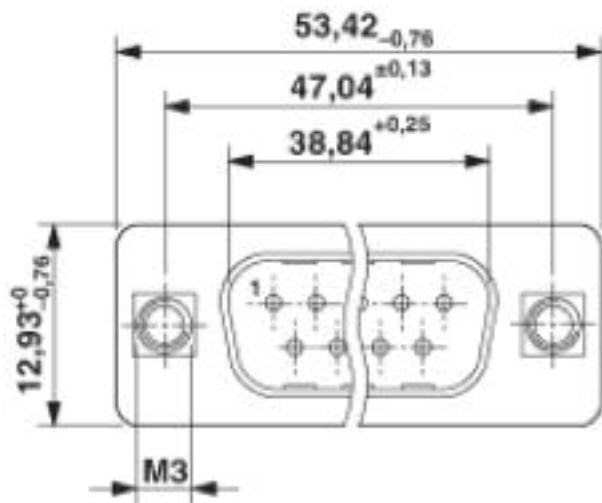
VS-ST-CD-1,0/14,8/0,5 - 1688968



Drawings

D-SUB contact support - VS-25-ST-DSUB-CD-G - 1689938

Dimensioned drawing



D-SUB contact carrier

Schematic diagram