

## D-SUB EMC inner sleeve - VS-25-TI-2 EMV - 1689802

Please be informed that the data shown in this PDF Document is generated from our Online Catalog. Please find the complete data in the user's documentation. Our General Terms of Use for Downloads are valid (<http://download.phoenixcontact.com>)



D-SUB EMC inner sleeve, shell size 3, for sleeve housing VS-25-...

### Key commercial data

<b>package_quantity</b>	5
<b>GTIN</b>	4017918915483

### Technical data

#### Ambient conditions

<b>Ambient temperature (operation)</b>	-40 °C ... 80 °C
--	------------------

#### General

<b>Design</b>	25
<b>Color</b>	Bare metallic
<b>Housing material</b>	Nickel silver

### classifications

#### eCl@ss

<b>eCl@ss 4.0</b>	27140816
<b>eCl@ss 4.1</b>	27260701
<b>eCl@ss 5.0</b>	27260701
<b>eCl@ss 5.1</b>	27260701
<b>eCl@ss 6.0</b>	27261203
<b>eCl@ss 7.0</b>	27440202
<b>eCl@ss 8.0</b>	27440202

#### ETIM

<b>ETIM 2.0</b>	EC000437
<b>ETIM 3.0</b>	EC000437
<b>ETIM 4.0</b>	EC000437
<b>ETIM 5.0</b>	EC000437

#### UNSPSC

<b>UNSPSC 6.01</b>	31261501
<b>UNSPSC 7.0901</b>	31261501

# D-SUB EMC inner sleeve - VS-25-TI-2 EMV - 1689802

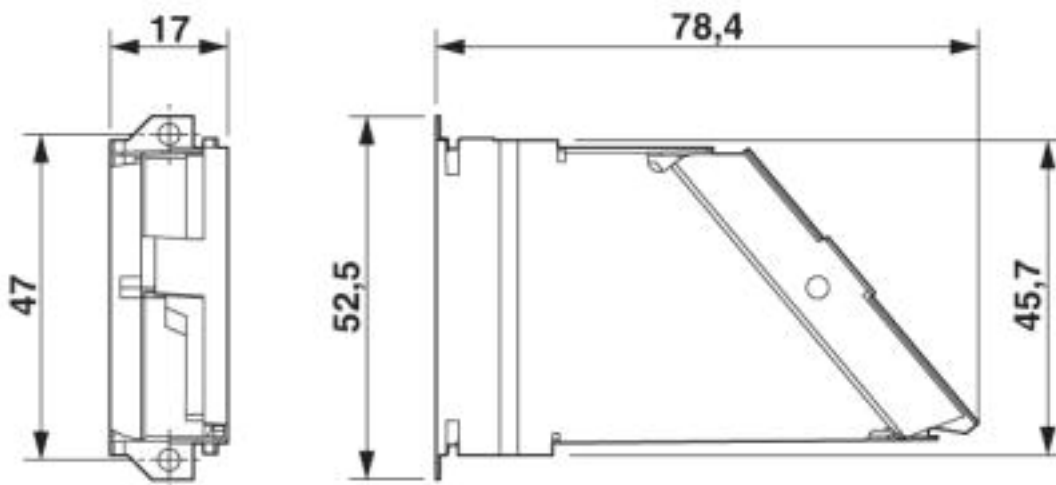
## classifications

### UNSPSC

UNSPSC 11	31261501
UNSPSC 12.01	31261501
UNSPSC 13.2	31261501

## Drawings

### Dimensioned drawing



D-SUB EMC inner sleeve

© Phoenix Contact 2013 - all rights reserved  
<http://www.phoenixcontact.com>