

Round cable - VIP-CAB-FLK14/AXIO/0,14/0,5M - 2901604

Please be informed that the data shown in this PDF Document is generated from our Online Catalog. Please find the complete data in the user's documentation. Our General Terms of Use for Downloads are valid (<http://download.phoenixcontact.com>)



System cable with a 14-pos. molded socket strip (90° outlet) and one open end with 8 wires for connection to Axioline realtime I/O. At the open end, the wires are labeled 1 to 8 and are fitted with ferrules, cable length: 0.5 m.

Product Features

- 8 pre-assembled open ends, for connection to the Axioline realtime I/O system
- 14-pos. connector, molded
- Labeling field on plug
- 1:1 connection
- Transmission of groups of 8 channels

Key commercial data

package_quantity	1
GTIN	4046356617680

Technical data

General

Nominal voltage U_N	< 50 V AC
Nominal voltage U_N	60 V DC
Max. current carrying capacity per path	1 A
Max. conductor resistance	0.16 Ω/m
Length of cable	0.5 m
Single wire, cross section	0.14 mm ²
Conductor construction: Number of litz wires:	7
Single wire, material	Cu tin-plated
External diameter	6.4 mm
Cable, preassembly	Insulation displacement, IEC 60352-4/DIN EN 60352-4
Shielding	no

Environmental conditions

Ambient temperature (operation)	-20 °C ... 50 °C
Ambient temperature (storage/transport)	-20 °C ... 70 °C
Flame resistance	IEC 60332-1

Connector, module side

Number of positions	8
Connectors	IDC/FLK socket strip (2.54 mm)

Round cable - VIP-CAB-FLK14/AXIO/0,14/0,5M - 2901604

Technical data

Connector, module side

Number of plugs	1
------------------------	---

Connector, controller side

Number of positions	14
Connectors	Open end
Number of plugs	0

Supported controller

Control	PHOENIX CONTACT Axioline
- suitable I/O card	AXL DI 16/4
- suitable I/O card	AXL DI 32/1
- suitable I/O card	AXL DO 16/3
- suitable I/O card	AXL DO 32/1

classifications

eCl@ss

eCl@ss 4.0	27250315
eCl@ss 4.1	27250315
eCl@ss 5.0	27249290
eCl@ss 5.1	27061801
eCl@ss 6.0	27061801
eCl@ss 7.0	27061801
eCl@ss 8.0	27061801

ETIM

ETIM 3.0	EC000830
ETIM 4.0	EC002599
ETIM 5.0	EC000237

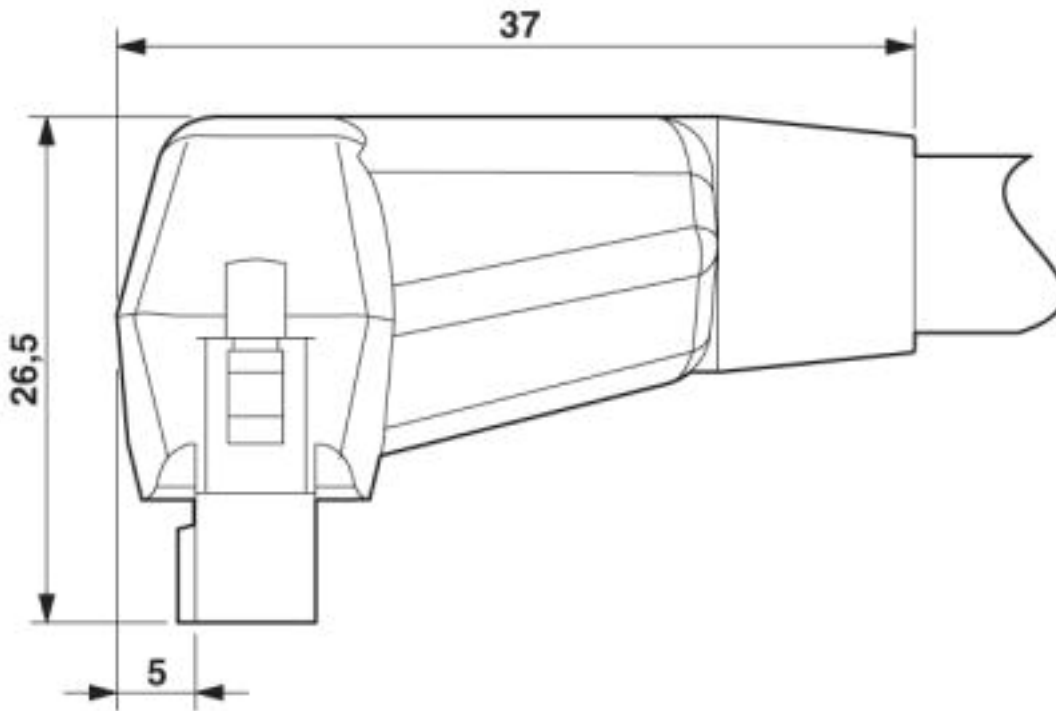
UNSPSC

UNSPSC 6.01	26121620
UNSPSC 7.0901	26121620
UNSPSC 11	26121620
UNSPSC 12.01	26121620
UNSPSC 13.2	26121620

Drawings

Round cable - VIP-CAB-FLK14/AXIO/0,14/0,5M - 2901604

Dimensioned drawing



© Phoenix Contact 2013 - all rights reserved
<http://www.phoenixcontact.com>