

Passive module - VIP-2/SC/2FLK14/AB-1756 - 2322333

Please be informed that the data shown in this PDF Document is generated from our Online Catalog. Please find the complete data in the user's documentation. Our General Terms of Use for Downloads are valid (<http://download.phoenixcontact.com>)



VARIOFACE COMPACT LINE, interface module for Allen-Bradley Control-Logix, with Control-Logix-specific labeling, no. of positions: 2 x 14, module width: 98 mm

The figure shows a version with SIEMENS labeling



Key commercial data

package_quantity	1
GTIN	4046356451734

Technical data

Dimensions

Width	80.6 mm
Height	65.5 mm
Depth	56 mm

Ambient conditions

Ambient temperature (operation)	-20 °C ... 50 °C
Ambient temperature (storage/transport)	-20 °C ... 70 °C

General

Nominal voltage U_N	60 V AC/DC
Max. current carrying capacity per branch	1 A
Number of positions	14
Status display	No
Mounting position	Any
Standards/regulations	IEC 60664
Standards/regulations	DIN EN 50178
Standards/regulations	IEC 62103
Pollution degree	2
Surge voltage category	II
Rated surge voltage	0.6 kV

Connection data for connection 1

Connection name	Field level
-----------------	-------------

Passive module - VIP-2/SC/2FLK14/AB-1756 - 2322333

Technical data

Connection data for connection 1

Connection method	Screw connection
Conductor cross section solid min.	0.2 mm ²
Conductor cross section solid max.	4 mm ²
Conductor cross section stranded min.	0.2 mm ²
Conductor cross section stranded max.	2.5 mm ²
Conductor cross section AWG/kcmil min.	24
Conductor cross section AWG/kcmil max	12
Stripping length	8 mm
Screw thread	M 3

Connection data for connection 2

Connection name	Control system level
Number of connections	2
Connection method	IDC/FLK pin strip (2.54 mm)
Number of positions	14

Supported controller

Control	ALLEN-BRADLEY ControlLogix
- suitable I/O card	1756-IN16
- suitable I/O card	1756-IA8D
- suitable I/O card	1756-IA16
- suitable I/O card	1756-IB16
- suitable I/O card	1756-IC16
- suitable I/O card	1756-OB16E
- suitable I/O card	1756-IF6I
- suitable I/O card	1756-IR6I
- suitable I/O card	1756-IT6I
- suitable I/O card	1756-OF4
- suitable I/O card	1756-OF6CI
- suitable I/O card	1756-OF6VI
- suitable I/O card	1756-OF8
- suitable I/O card	1756-PLS
- suitable I/O card	1756-IF6H
- suitable I/O card	1756-IF6CIS
- suitable I/O card	1756-OF8H
Control	HONEYWELL PlantScape
- suitable I/O card	TC-IDX 081
- suitable I/O card	TC-IDA 161
- suitable I/O card	TC-IAH 061
- suitable I/O card	TC-IXR 061
- suitable I/O card	TC-IXL 061
- suitable I/O card	TC-OAH 061

Passive module - VIP-2/SC/2FLK14/AB-1756 - 2322333

Technical data

Supported controller

- suitable I/O card	TC-OAV 061
- suitable I/O card	TC-OAV 081

classifications

eCl@ss

eCl@ss 4.0	27250313
eCl@ss 4.1	27250313
eCl@ss 5.0	27250313
eCl@ss 5.1	27250313
eCl@ss 6.0	27242608
eCl@ss 7.0	27242608
eCl@ss 8.0	27242608

ETIM

ETIM 2.0	EC001434
ETIM 3.0	EC001604
ETIM 4.0	EC001604
ETIM 5.0	EC001604


UNSPSC

UNSPSC 6.01	30211824
UNSPSC 7.0901	39121421
UNSPSC 11	39121421
UNSPSC 12.01	39121421
UNSPSC 13.2	39121421

approvals

UL Recognized / cUL Recognized / UL Recognized / cULus Recognized /

Approval details

UL Recognized 	
Nominal voltage UN	125 V
Nominal current IN	1 A
mm ² /AWG/kcmil	30-12

Passive module - VIP-2/SC/2FLK14/AB-1756 - 2322333

approvals

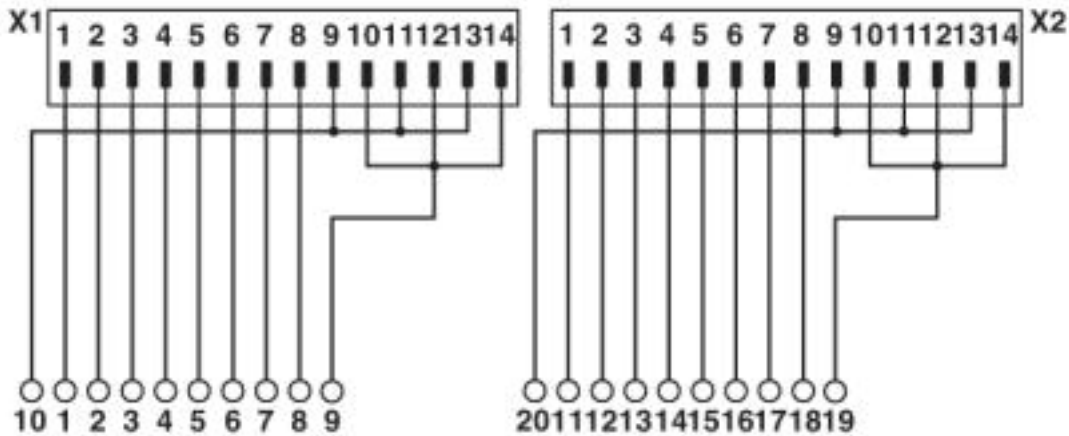
cUL Recognized	
Nominal voltage UN	125 V
Nominal current IN	1 A
mm ² /AWG/kcmil	30-12

Nominal voltage UN	125 V
Nominal current IN	1 A
mm ² /AWG/kcmil	30-12

cULus Recognized	
------------------	--

Drawings

Circuit diagram



Connection scheme VIP-2/.../2FLK14/AB-1756