

## System connectors - FLKM 14-PA-S300 - 2299770

Please be informed that the data shown in this PDF Document is generated from our Online Catalog. Please find the complete data in the user's documentation. Our General Terms of Use for Downloads are valid (<http://download.phoenixcontact.com>)



VARIOFACE front adapter, for SIMATIC S 7-300, 2 x 8 channels can be connected.

### Key commercial data

package_quantity	1
GTIN	4017918880453

### Technical data

#### General

Note	Analog I/O cards To avoid short-circuits, all wire bridges must be disconnected! No voltage supply may be supplied to the front adapter!
Note	Digital I/O cards Thanks to the existing wire bridge upon delivery, the input and output bytes are non-isolated.
Nominal voltage U <sub>N</sub>	< 50 V AC
Nominal voltage U <sub>N</sub>	60 V DC
Max. permissible current	1 A (per path)
Max. permissible current	8 A (per connection, supply via separate power supply (2.8 x 0.8 mm))
Max. permissible total current	2 A (Per Byte, for supply via connector)
Max. permissible total current	8 A (during supply via a separate bridged power supply)
Channels which can be connected	16
Connection type, connector	IDC/FLK pin strip (2.54 mm)
Number of connectors	2
No. of positions, connector	14
Number of positions	14
Mounting position	Any
Standards/regulations	IEC 60664
Standards/regulations	DIN EN 50178
Standards/regulations	IEC 62103
Pollution degree	2
Surge voltage category	II

#### Ambient conditions

Ambient temperature (operation)	-20 °C ... 50 °C
---------------------------------	------------------

# System connectors - FLKM 14-PA-S300 - 2299770

## Technical data

### Ambient conditions

Ambient temperature (storage/transport)	-20 °C ... 70 °C
---	------------------

### Supported controller

<b>Control</b>	SIEMENS S7-300 / ET 200 M
- suitable I/O card	CPU 312C
- suitable I/O card	6ES7 321-1BH02-0AA0
- suitable I/O card	6ES7 321-1BH10-0AA0
- suitable I/O card	6ES7 321-1BH50-0AA0
- suitable I/O card	6ES7 321-7BH01-0AB0
- suitable I/O card	6ES7 321-7BH01-0AB0
- suitable I/O card	6ES7 322-1BH01-0AA0
- suitable I/O card	6ES7 322-1BH10-0AA0
- suitable I/O card	6ES7 322-8BF00-0AB0
- suitable I/O card	6ES7 323-1BH01-0AA0
- suitable I/O card	6ES7 331-7HF01-0AB0
- suitable I/O card	6ES7 331-7KB02-0AB0
- suitable I/O card	6ES7 331-7KF02-0AB0
- suitable I/O card	6ES7 331-7TF01-0AB0
- suitable I/O card	6ES7 332-5HB01-0AB0
- suitable I/O card	6ES7 332-5HD01-0AB0
- suitable I/O card	6ES7 332-7ND02-0AB0
- suitable I/O card	6ES7 332-8TF01-0AB0
- suitable I/O card	6ES7 334-0CE01-0AA0
- suitable I/O card	6ES7 334-0KE00-0AB0
- suitable I/O card	6ES7 335-7HG01-0AB0
- suitable I/O card	6ES7 335-7HG01-0AB0
- suitable I/O card	6ES7 338-4BC01-0AB0
- suitable I/O card	6ES7 350-1AH03-0AE0
- suitable I/O card	6ES7 351-1AH01-0AE0
- suitable I/O card	6ES7 352-1AH02-0AE0
- suitable I/O card	6ES7 353-1AH01-0AE0
- suitable I/O card	6ES7 354-1AH01-0AE0
- suitable I/O card	6ES7 355-0VH10-0AE0
- suitable I/O card	6ES7 355-1VH10-0AE0

## classifications

### eCl@ss

eCl@ss 4.0	27250313
eCl@ss 4.1	27250313
eCl@ss 5.0	27250313
eCl@ss 5.1	27250313

# System connectors - FLKM 14-PA-S300 - 2299770

## classifications

### eCl@ss

eCl@ss 6.0	27242208
eCl@ss 7.0	27242208
eCl@ss 8.0	27242208

### ETIM

ETIM 2.0	EC001423
ETIM 3.0	EC001423
ETIM 4.0	EC001423
ETIM 5.0	EC001423

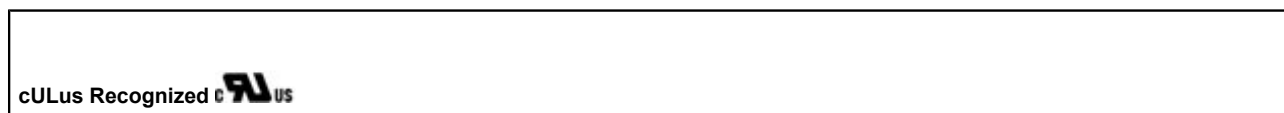
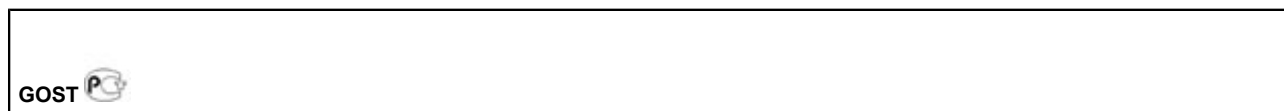
### UNSPSC

UNSPSC 6.01	30211824
UNSPSC 7.0901	39121421
UNSPSC 11	39121421
UNSPSC 12.01	39121421
UNSPSC 13.2	39121421

## approvals

UL Recognized / cUL Recognized / GOST / cULus Recognized /

### Approval details



## accessories

### Front adapter

# System connectors - FLKM 14-PA-S300 - 2299770

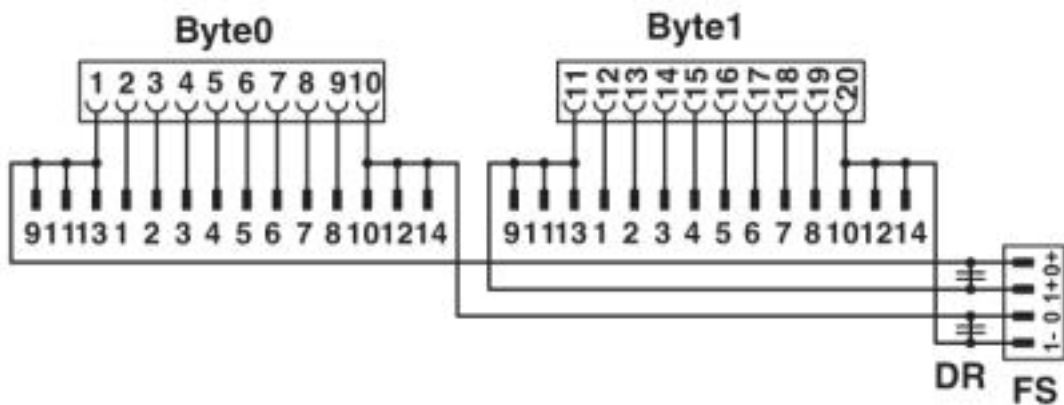
accessories

FLKM 14-PA-S300 - 2299770



## Drawings

Circuit diagram



Connection scheme FLKM 14-PA-S300

© Phoenix Contact 2013 - all rights reserved  
<http://www.phoenixcontact.com>