

# Contact insert set - VC-TR2/3M-PEA-S888-SET - 1607250

Please be informed that the data shown in this PDF Document is generated from our Online Catalog. Please find the complete data in the user's documentation. Our General Terms of Use for Downloads are valid (<http://download.phoenixcontact.com>)



Contact insert set for sleeve side, sleeve frame with PE, 4 fixing screws, 8-pos. contact inserts preassembled, 6 coding profiles

## Product Features

- Compact design
- Universal connection
- Proven COMBICON technology
- Can be keyed to prevent incorrect connection

## Key commercial data

<b>package_quantity</b>	5
<b>GTIN</b>	4017918941000

## Technical data

### General

<b>Connection method</b>	Screw connection
<b>Connection method</b>	Screw connection
<b>Tightening torque</b>	0.2 Nm ... 0.25 Nm
<b>Pollution degree</b>	3
<b>Surge voltage category</b>	III
<b>Number of positions</b>	23+PE
<b>Insertion/withdrawal cycles</b>	≥ 100
<b>Design</b>	VC2
<b>Conductor cross section solid min.</b>	0.14 mm <sup>2</sup>
<b>Conductor cross section solid max.</b>	1.5 mm <sup>2</sup>
<b>Conductor cross section stranded min.</b>	0.14 mm <sup>2</sup>
<b>Conductor cross section stranded max.</b>	0.75 mm <sup>2</sup>
<b>Conductor cross section</b>	0.14 mm <sup>2</sup> ... 1.5 mm <sup>2</sup>

### Ambient conditions

<b>Ambient temperature (operation)</b>	-40 °C ... 100 °C
--	-------------------

### Material data

<b>Inflammability class according to UL 94</b>	V0
<b>Contact material</b>	CuZn
<b>Contact surface material</b>	Tin-plated

# Contact insert set - VC-TR2/3M-PEA-S888-SET - 1607250

## Technical data

### Material data

Contact carrier material	PA
--------------------------	----

### Electrical characteristics

Rated voltage (III/3)	160 V
Nominal voltage $U_N$	160 V
Rated surge voltage	2.5 kV
Rated surge voltage	2.5 kV
Rated current	10 A
Rated current	10 A
Nominal current $I_N$	10 A

## classifications

### eCl@ss

eCl@ss 4.0	27140816
eCl@ss 4.1	27140816
eCl@ss 5.0	27260701
eCl@ss 5.1	27260701
eCl@ss 6.0	27260705
eCl@ss 7.0	27440309
eCl@ss 8.0	27440309

### ETIM

ETIM 2.0	EC001121
ETIM 3.0	EC001121
ETIM 4.0	EC001121
ETIM 5.0	EC002641

### UNSPSC

UNSPSC 6.01	30211923
UNSPSC 7.0901	39121522
UNSPSC 11	39121522
UNSPSC 12.01	39121522
UNSPSC 13.2	39121522

## approvals

---

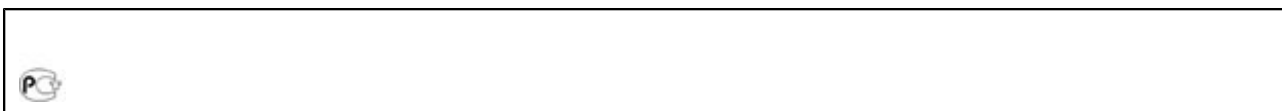
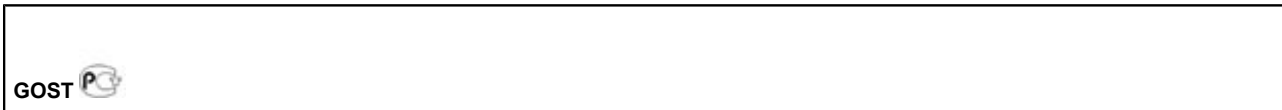
GOST / GOST /

---

### Approval details

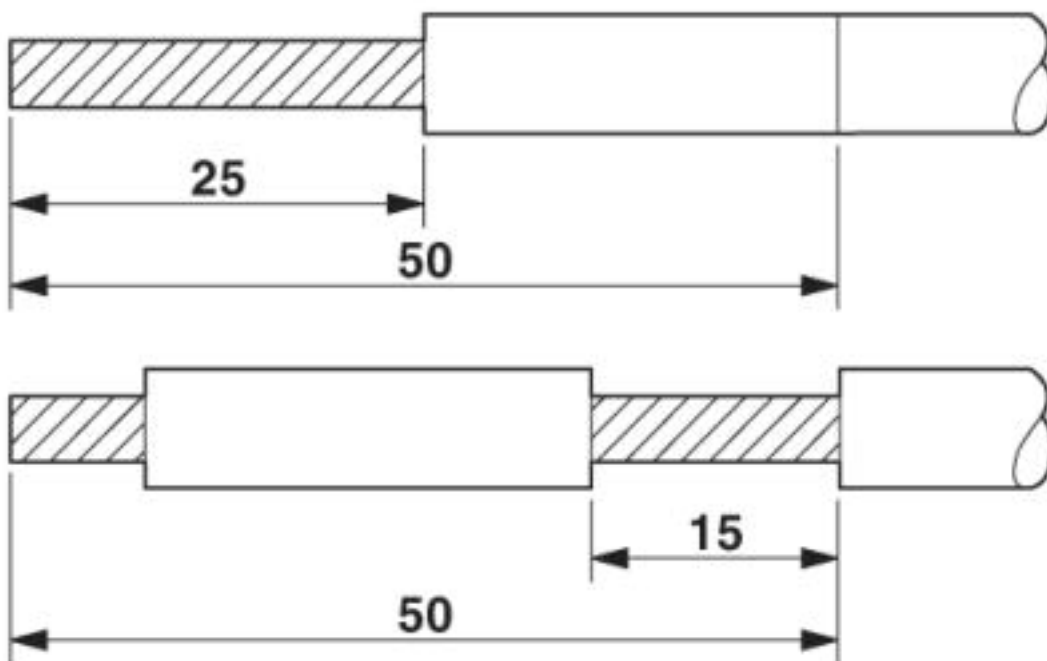
# Contact insert set - VC-TR2/3M-PEA-S888-SET - 1607250

approvals



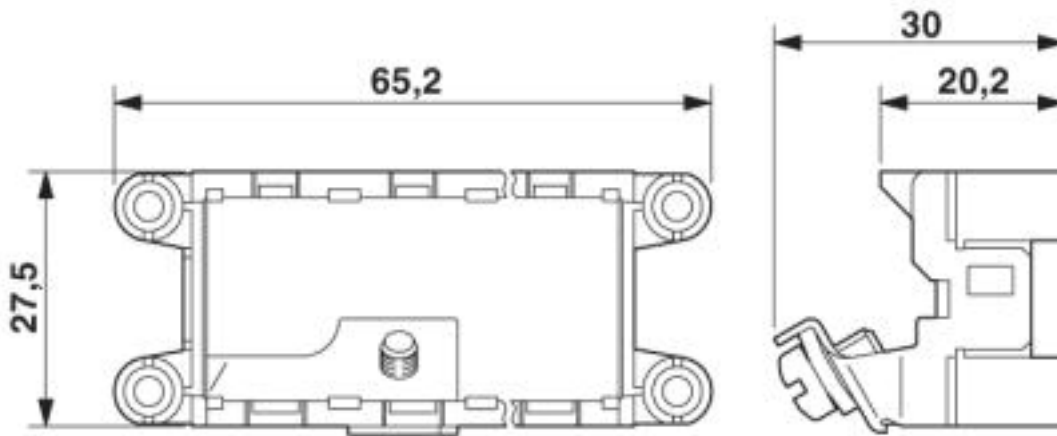
## Drawings

Functional drawing



## Contact insert set - VC-TR2/3M-PEA-S888-SET - 1607250

Dimensioned drawing



© Phoenix Contact 2013 - all rights reserved  
<http://www.phoenixcontact.com>