

D-SUB panel mounting frames - VS-09-A - 1688366

Please be informed that the data shown in this PDF Document is generated from our Online Catalog. Please find the complete data in the user's documentation. Our General Terms of Use for Downloads are valid (<http://download.phoenixcontact.com>)



D-SUB panel mounting frame, shell size 1, IP67 degree of protection



Key commercial data

package_quantity	5
GTIN	4017918817510

Technical data

Mechanical characteristics

Insertion/withdrawal cycles	≥ 1000
Color	gray

Ambient conditions

Ambient temperature (operation)	-40 °C ... 80 °C
Degree of protection	IP67

Material data

Inflammability class according to UL 94	V0
Housing material	PA
Material	Plastic
Sealing material	Flat gasket: NBR; profile gasket: EPDM
Seal material	Flat gasket: NBR; profile gasket: EPDM

classifications

eCl@ss

eCl@ss 4.0	27140816
eCl@ss 4.1	27260701
eCl@ss 5.0	27260701
eCl@ss 5.1	27260701
eCl@ss 6.0	27261203
eCl@ss 7.0	27440202
eCl@ss 8.0	27440202

D-SUB panel mounting frames - VS-09-A - 1688366

classifications

ETIM

ETIM 2.0	EC000437
ETIM 3.0	EC000437
ETIM 4.0	EC000437
ETIM 5.0	EC002310

UNSPSC

UNSPSC 6.01	31261501
UNSPSC 7.0901	31261501
UNSPSC 11	31261501
UNSPSC 12.01	31261501
UNSPSC 13.2	31261501

accessories

Protective cover

VS-09-SD - 1887086



Shroud

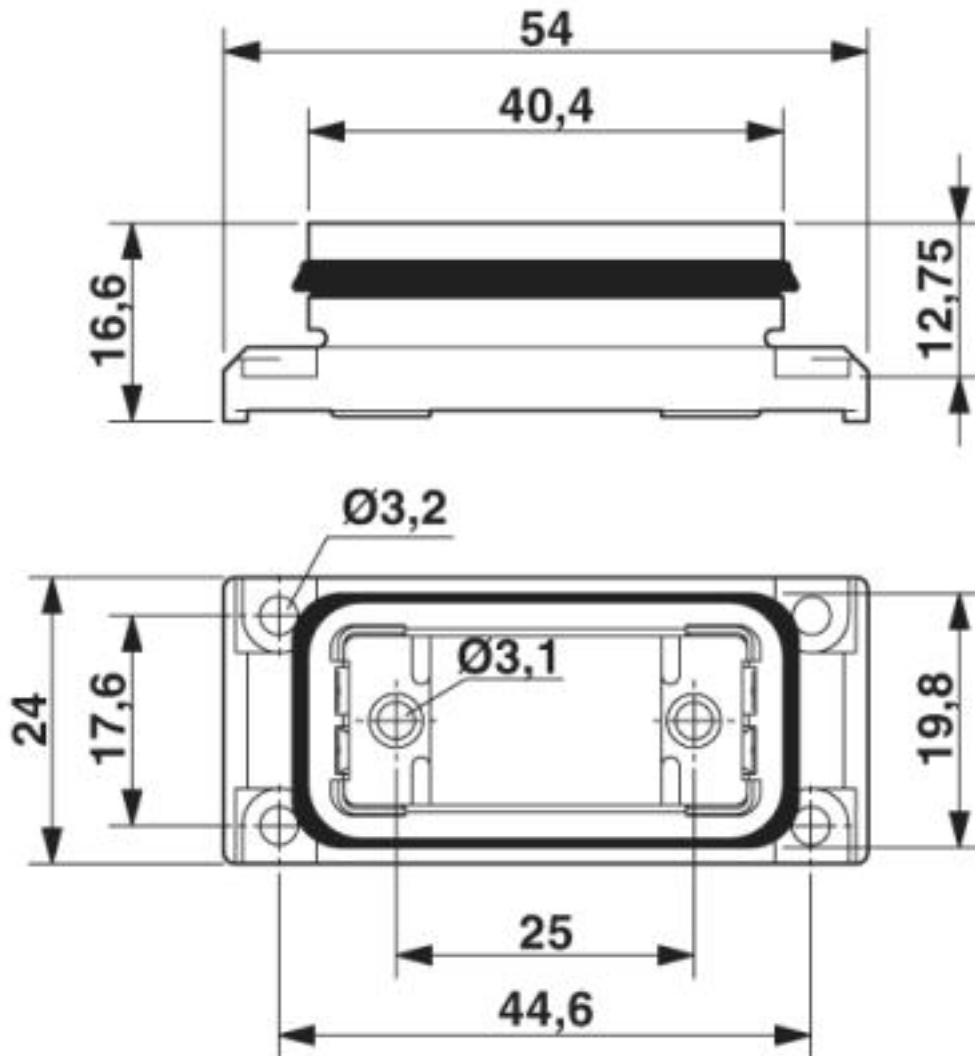
VS-09-A-EMV-S - 1688463



Drawings

D-SUB panel mounting frames - VS-09-A - 1688366

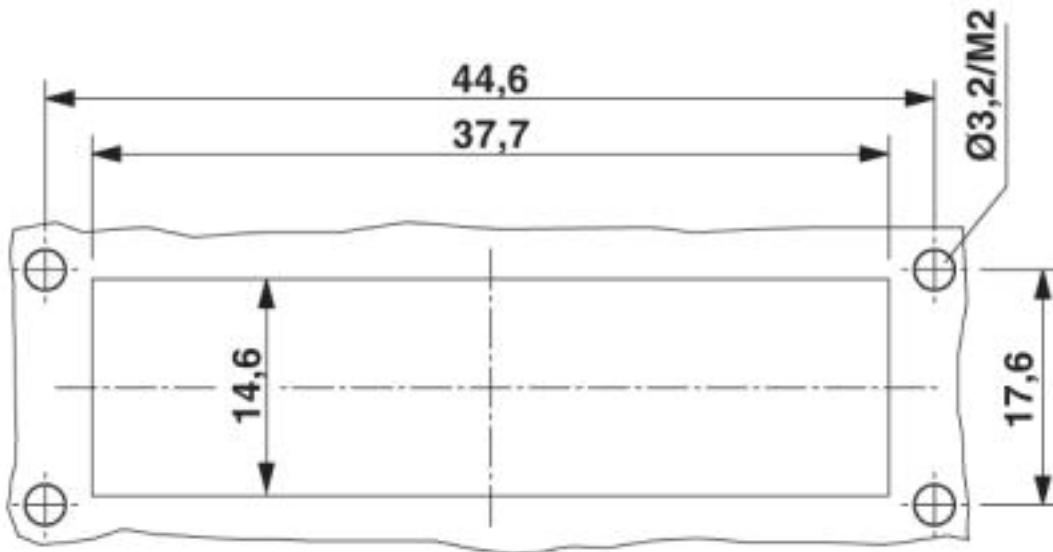
Dimensioned drawing



D-SUB panel mounting frame

D-SUB panel mounting frames - VS-09-A - 1688366

Dimensioned drawing



Panel cutout

© Phoenix Contact 2013 - all rights reserved
<http://www.phoenixcontact.com>