

## Front adapters - VIP-PA-FLK14/ 2,0M/S7 - 2321790

Please be informed that the data shown in this PDF Document is generated from our Online Catalog. Please find the complete data in the user's documentation. Our General Terms of Use for Downloads are valid (<http://download.phoenixcontact.com>)



VIP-VARIOFACE front adapter, with connected system cables for SIMATIC S7 300, 2 x 8 channels can be connected, cable length: 2 m

### Product Features

- Can be screwed on with the I/O module
- Power supply via terminal blocks with spring-cage double connection
- Encapsulated socket strips on the module side

### Key commercial data

<b>package_quantity</b>	1
<b>GTIN</b>	4046356347617

### Technical data

#### General

<b>Note</b>	Analog I/O cards: To avoid short-circuits, all bridges must be removed! No voltage supply may be supplied to the front adapter!
<b>Note</b>	Digital I/O cards: The front adapter is delivered non-isolated. By removing the bridges, electrical isolation (in groups of 8) can be obtained.
<b>Nominal voltage U<sub>N</sub></b>	< 50 V AC
<b>Nominal voltage U<sub>N</sub></b>	60 V DC
<b>Max. permissible current</b>	1 A (per path)
<b>Channels which can be connected</b>	16
<b>Connection type, connector</b>	IDC/FLK socket strip (2.54 mm)
<b>Number of connectors</b>	2
<b>No. of positions, connector</b>	14
<b>Standards/regulations</b>	IEC 60664
<b>Standards/regulations</b>	IEC 62103
<b>Standards/regulations</b>	DIN EN 50178
<b>Rated surge voltage / insulation</b>	0.8 kV
<b>Pollution degree</b>	2
<b>Surge voltage category</b>	III

#### Supported controller

<b>Control</b>	SIEMENS S7-300 / ET 200 M
<b>- suitable I/O card</b>	6ES7 321-1BH50-0AA0

## Front adapters - VIP-PA-FLK14/ 2,0M/S7 - 2321790

### Technical data

#### Supported controller

- suitable I/O card	6ES7 321-7BH01-0AB0
- suitable I/O card	6ES7 321-1BH02-0AA0
- suitable I/O card	6ES7 321-1BH10-0AA0
- suitable I/O card	6ES7 322-1BH01-0AA0
- suitable I/O card	6ES7 322-8BF00-0AB0
- suitable I/O card	6ES7 323-1BH01-0AA0
- suitable I/O card	6ES7 331-7HF01-0AB0
- suitable I/O card	6ES7 331-7KF02-0AB0
- suitable I/O card	6ES7 331-7KB02-0AB0
- suitable I/O card	6ES7 331-7TF01-0AB0
- suitable I/O card	6ES7 332-5HD01-0AB0
- suitable I/O card	6ES7 332-5HB01-0AB0
- suitable I/O card	6ES7 332-7ND02-0AB0
- suitable I/O card	6ES7 332-8TF01-0AB0
- suitable I/O card	6ES7 334-0CE01-0AA0
- suitable I/O card	6ES7 334-0KE00-0AB0
- suitable I/O card	6ES7 335-7HG01-0AB0
- suitable I/O card	6ES7 338-4BC01-0AB0
- suitable I/O card	6ES7 350-1AH03-0AE0
- suitable I/O card	6ES7 351-1AH01-0AE0
- suitable I/O card	6ES7 352-1AH02-0AE0
- suitable I/O card	6ES7 353-1AH01-0AE0
- suitable I/O card	6ES7 354-1AH01-0AE0
- suitable I/O card	6ES7 355-0VH10-0AE0
- suitable I/O card	6ES7 355-1VH10-0AE0

### classifications

#### eCl@ss

eCl@ss 4.0	27060306
eCl@ss 4.1	27060306
eCl@ss 5.0	27061801
eCl@ss 5.1	27061801
eCl@ss 6.0	27061801
eCl@ss 7.0	27061801
eCl@ss 8.0	27061801

#### ETIM

ETIM 2.0	EC000237
ETIM 3.0	EC000237
ETIM 4.0	EC000237
ETIM 5.0	EC002584

# Front adapters - VIP-PA-FLK14/ 2,0M/S7 - 2321790

## classifications

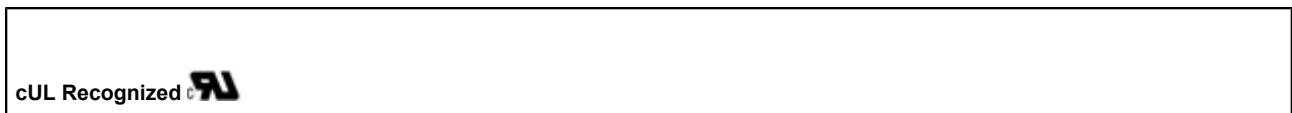
### UNSPSC

UNSPSC 6.01	26121620
UNSPSC 7.0901	26121620
UNSPSC 11	26121620
UNSPSC 12.01	26121620
UNSPSC 13.2	26121620

## approvals

UL Recognized / cUL Recognized / cULus Recognized /

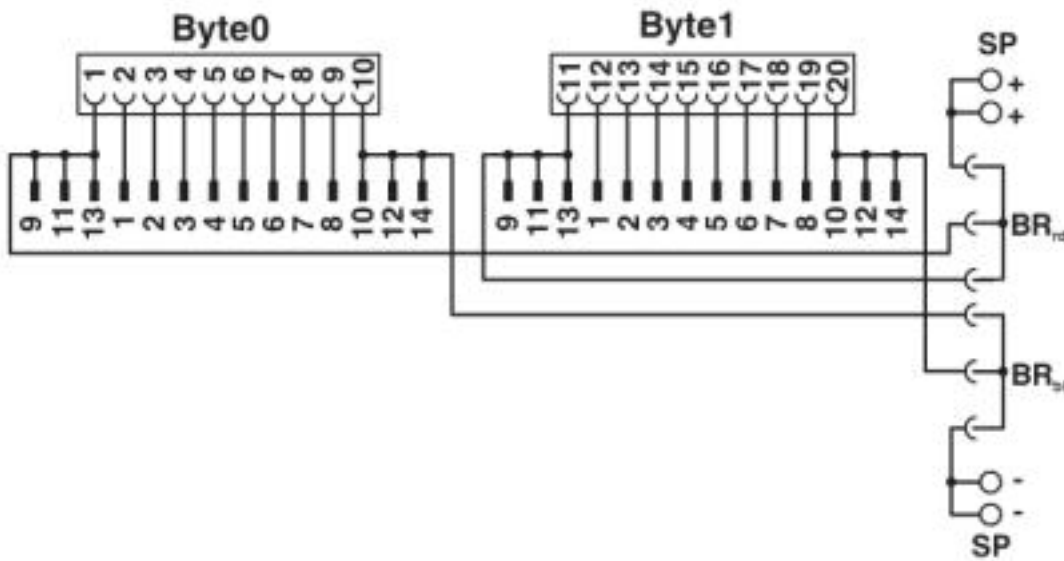
### Approval details



## Drawings

# Front adapters - VIP-PA-FLK14/ 2,0M/S7 - 2321790

Circuit diagram



© Phoenix Contact 2013 - all rights reserved  
<http://www.phoenixcontact.com>