

Panel mounting frames - VS-PPC-F1-SCRJ-MNNA-1RF - 1405374

Please be informed that the data shown in this PDF Document is generated from our Online Catalog. Please find the complete data in the user's documentation. Our General Terms of Use for Downloads are valid (<http://download.phoenixcontact.com>)



SCRJ panel mounting frame, IP67, for push/pull interlocking, metal, with the Freenet system, for square mounting cutout, with seal and SCRJ coupling, without mounting screws



Key commercial data

package_quantity	1
GTIN	4046356419925

Technical data

Mechanical characteristics

Color	silver
-------	--------

Ambient conditions

Ambient temperature (operation)	-40 °C ... 70 °C
Degree of protection	IP65/67

Material data

Housing material	Zinc die-cast
------------------	---------------

classifications

eCl@ss

eCl@ss 4.0	272607xx
eCl@ss 4.1	27260701
eCl@ss 5.0	27260701
eCl@ss 5.1	27260701
eCl@ss 6.0	27261207
eCl@ss 7.0	27440210
eCl@ss 8.0	27440210

ETIM

ETIM 3.0	EC002310
ETIM 4.0	EC002310
ETIM 5.0	EC002310

UNSPSC

Panel mounting frames - VS-PPC-F1-SCRJ-MNNA-1RF - 1405374

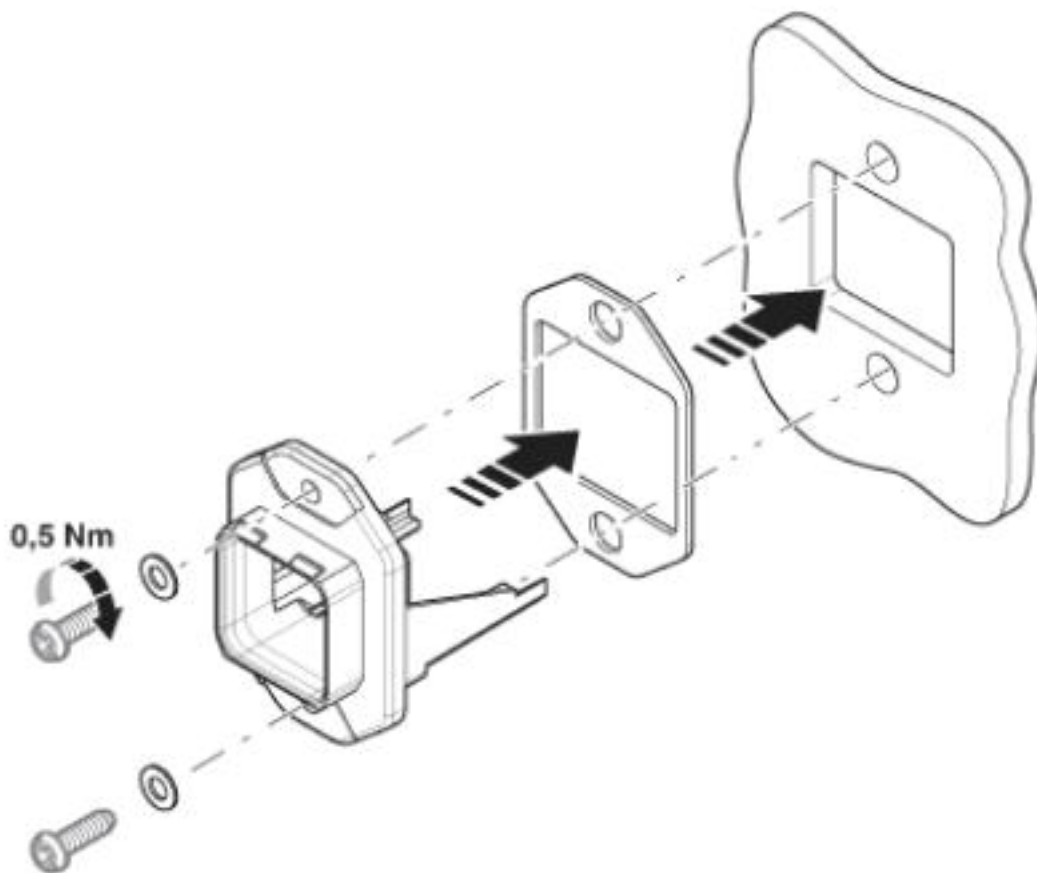
classifications

UNSPSC

UNSPSC 6.01	31261501
UNSPSC 7.0901	31261501
UNSPSC 11	31261501
UNSPSC 12.01	31261501
UNSPSC 13.2	31261501

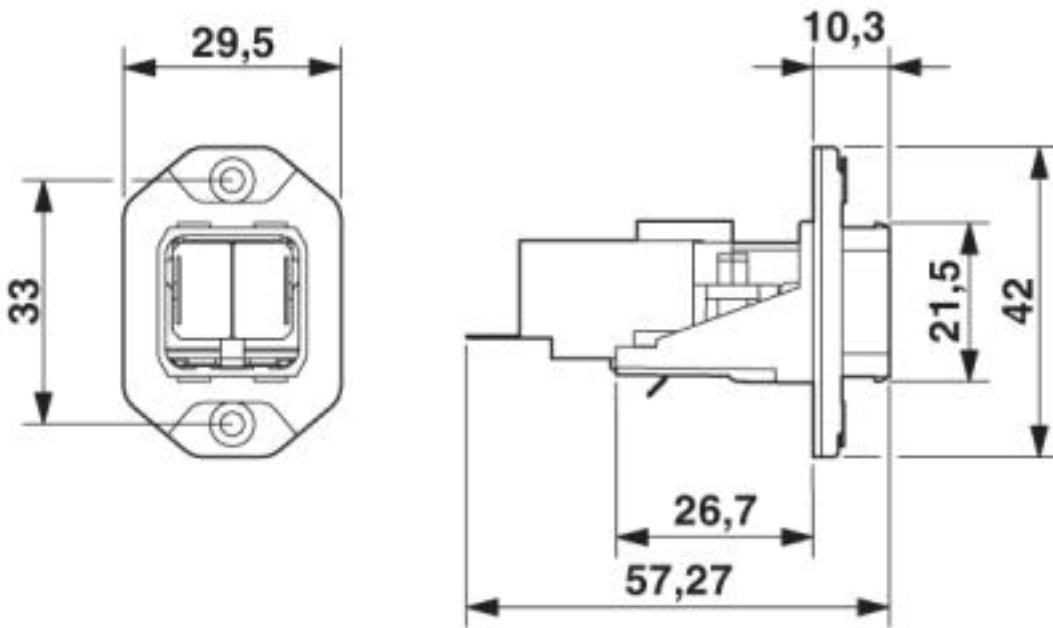
Drawings

Explosion drawing



Panel mounting frames - VS-PPC-F1-SCRJ-MNNA-1RF - 1405374

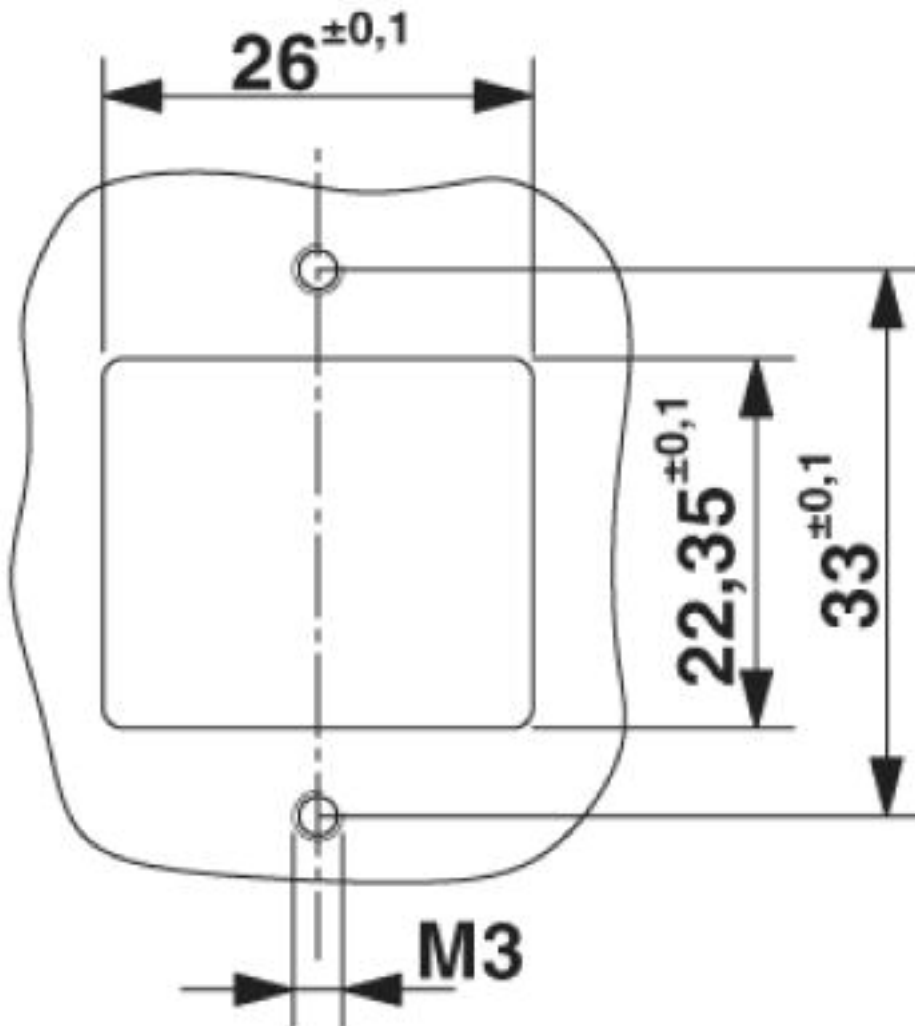
Dimensioned drawing



Push-Pull SCRJ panel mounting frame

Panel mounting frames - VS-PPC-F1-SCRJ-MNNA-1RF - 1405374

Dimensioned drawing



Panel cutout

© Phoenix Contact 2013 - all rights reserved
<http://www.phoenixcontact.com>