

# Passive module - VIP-2/SC/2FLK14 (1-20) /S7 - 2315230

Please be informed that the data shown in this PDF Document is generated from our Online Catalog. Please find the complete data in the user's documentation. Our General Terms of Use for Downloads are valid (<http://download.phoenixcontact.com>)



VARIOFACE interface module for Siemens SIMATIC® S7-300, for max. 16 channels with SIMATIC®-specific labeling (1 - 20), with screw connection, module width: 80.6 mm



## Key commercial data

package_quantity	1
GTIN	4046356313070

## Technical data

### Dimensions

Width	80.6 mm
Height	65.5 mm
Depth	56 mm

### Ambient conditions

Ambient temperature (operation)	-20 °C ... 50 °C
Ambient temperature (storage/transport)	-20 °C ... 70 °C

### General

Nominal voltage $U_N$	60 V AC/DC
Max. current carrying capacity per branch	1 A
Number of positions	14
Status display	No
Mounting position	Any
Standards/regulations	IEC 60664
Standards/regulations	DIN EN 50178
Standards/regulations	IEC 62103
Pollution degree	2
Surge voltage category	II
Rated surge voltage	0.6 kV

### Connection data for connection 1

Connection name	Field level
Connection method	Screw connection

## Passive module - VIP-2/SC/2FLK14 (1-20) /S7 - 2315230

### Technical data

#### Connection data for connection 1

Conductor cross section solid min.	0.2 mm <sup>2</sup>
Conductor cross section solid max.	4 mm <sup>2</sup>
Conductor cross section stranded min.	0.2 mm <sup>2</sup>
Conductor cross section stranded max.	2.5 mm <sup>2</sup>
Conductor cross section AWG/kcmil min.	24
Conductor cross section AWG/kcmil max	12
Stripping length	8 mm
Screw thread	M 3

#### Connection data for connection 2

Connection name	Control system level
Number of connections	2
Connection method	IDC/FLK pin strip (2.54 mm)
Number of positions	14

#### Supported controller

Control	GE-FANUC 90-30
- suitable I/O card	IC693 MDL732
- suitable I/O card	IC693 MDL733
- suitable I/O card	IC693 MDL740
- suitable I/O card	IC693 MDL741
- suitable I/O card	IC693 MDL742
- suitable I/O card	IC693 ALG220
- suitable I/O card	IC693 ALG221
- suitable I/O card	IC693 ALG222
- suitable I/O card	IC693 ALG223
- suitable I/O card	IC693 ALG390
- suitable I/O card	IC693 ALG391
- suitable I/O card	IC693 ALG392
- suitable I/O card	IC693 ALG442

### classifications

#### eCl@ss

eCl@ss 4.0	27250313
eCl@ss 4.1	27250313
eCl@ss 5.0	27250313
eCl@ss 5.1	27250313
eCl@ss 6.0	27242608
eCl@ss 7.0	27242608
eCl@ss 8.0	27242608

#### ETIM

# Passive module - VIP-2/SC/2FLK14 (1-20) /S7 - 2315230

## classifications

### ETIM

<b>ETIM 2.0</b>	EC001434
<b>ETIM 3.0</b>	EC001604
<b>ETIM 4.0</b>	EC001604
<b>ETIM 5.0</b>	EC001604


### UNSPSC


<b>UNSPSC 6.01</b>	30211824
<b>UNSPSC 7.0901</b>	39121421
<b>UNSPSC 11</b>	39121421
<b>UNSPSC 12.01</b>	39121421
<b>UNSPSC 13.2</b>	39121421


## approvals

CSA / UL Recognized / cUL Recognized / UL Recognized / cULus Recognized /

### Approval details

<b>CSA</b> 	
Nominal voltage UN	125 V
Nominal current IN	1 A
mm <sup>2</sup> /AWG/kcmil	30-12

<b>UL Recognized</b> 	
Nominal voltage UN	125 V
Nominal current IN	1 A
mm <sup>2</sup> /AWG/kcmil	30-12

<b>cUL Recognized</b> 	
Nominal voltage UN	125 V
Nominal current IN	1 A
mm <sup>2</sup> /AWG/kcmil	30-12

# Passive module - VIP-2/SC/2FLK14 (1-20) /S7 - 2315230

approvals

Nominal voltage UN	125 V
Nominal current IN	1 A
mm <sup>2</sup> /AWG/kcmil	30-12

cULus Recognized	
------------------	--

accessories

## System cable

FLK 14/EZ-DR/ 30/KONFEK - 2295729



FLK 14/EZ-DR/ 50/KONFEK - 2288901



FLK 14/EZ-DR/ 100/KONFEK - 2288914



## Passive module - VIP-2/SC/2FLK14 (1-20) /S7 - 2315230

### accessories

FLK 14/EZ-DR/ 150/KONFEK - 2288927



FLK 14/EZ-DR/ 200/KONFEK - 2288930



FLK 14/EZ-DR/ 250/KONFEK - 2288943



FLK 14/EZ-DR/ 300/KONFEK - 2288956



FLK 14/EZ-DR/ 350/KONFEK - 2288969



FLK 14/EZ-DR/ 400/KONFEK - 2288972



## Passive module - VIP-2/SC/2FLK14 (1-20) /S7 - 2315230

accessories

---

FLK 14/EZ-DR/ 450/KONFEK - 2290847



FLK 14/EZ-DR/ 500/KONFEK - 2290834



FLK 14/EZ-DR/ 550/KONFEK - 2290850



FLK 14/EZ-DR/ 600/KONFEK - 2290863



FLK 14/EZ-DR/ 800/KONFEK - 2299563



## Passive module - VIP-2/SC/2FLK14 (1-20) /S7 - 2315230

### accessories

FLK 14/EZ-DR/1000/KONFEK - 2299576



FLK EZ-DR.../.../... - 2295059



FLK 14/EZ-DR/ 50/KONFEK/S - 2296977



FLK 14/EZ-DR/ 100/KONFEK/S - 2296980



FLK 14/EZ-DR/ 200/KONFEK/S - 2297002



FLK 14/EZ-DR/ 300/KONFEK/S - 2299013



# Passive module - VIP-2/SC/2FLK14 (1-20) /S7 - 2315230

accessories

---

FLK 14/EZ-DR/ 400/KONFEK/S - 2299026



FLK 14/EZ-DR/ 600/KONFEK/S - 2299039



FLK 14/EZ-DR/ 800/KONFEK/S - 2299042



FLK 14/EZ-DR/1000/KONFEK/S - 2299055



FLK EZ-DR-S.../.../... - 2295046





## Passive module - VIP-2/SC/2FLK14 (1-20) /S7 - 2315230

### accessories

FLK 14/EZ-DR/HF/ 50/KONFEK - 2305952



FLK 14/EZ-DR/HF/ 100/KONFEK - 2305965



FLK 14/EZ-DR/HF/ 150/KONFEK - 2305978



FLK 14/EZ-DR/HF/ 200/KONFEK - 2305981



FLK 14/EZ-DR/HF/ 250/KONFEK - 2305994



FLK 14/EZ-DR/HF/ 300/KONFEK - 2304759



## Passive module - VIP-2/SC/2FLK14 (1-20) /S7 - 2315230

accessories

---

FLK 14/EZ-DR/HF/ 400/KONFEK - 2304762



FLK 14/EZ-DR/HF/ 500/KONFEK - 2304717



FLK 14/EZ-DR/HF/ 600/KONFEK - 2306003



FLK 14/EZ-DR/HF/ 700/KONFEK - 2314011



FLK 14/EZ-DR/HF/ 800/KONFEK - 2314024



## Passive module - VIP-2/SC/2FLK14 (1-20) /S7 - 2315230

### accessories

FLK 14/EZ-DR/HF/1000/KONFEK - 2314037



FLK 14-EZ-DR-HF/... - 2314040



### Terminal marking

UC-TM 4 - 0818111



UC-TM 6 - 0818085



ZB 5,08:UNBEDRUCKT - 0809793



# Passive module - VIP-2/SC/2FLK14 (1-20) /S7 - 2315230

accessories

ZB 22:UNBEDRUCKT - 0811862



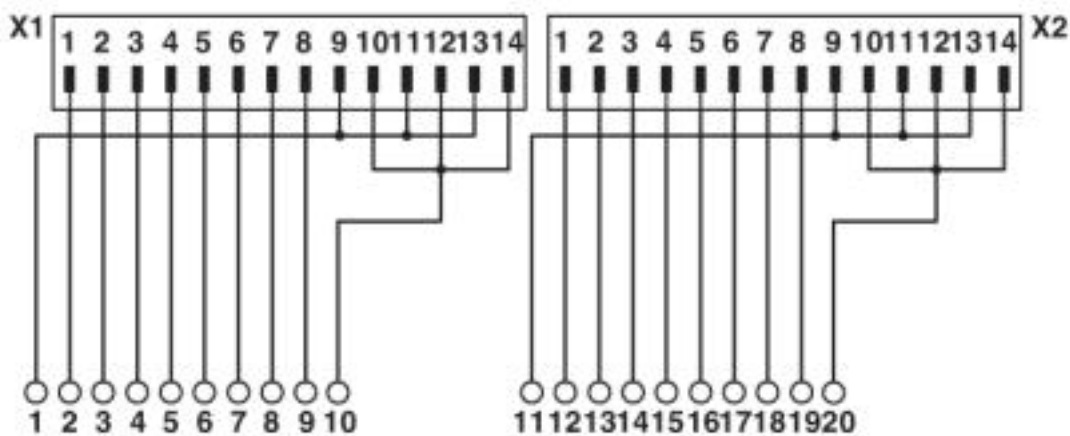
accessories

BLUEMARK X1 - 5147777



## Drawings

Circuit diagram



Connection diagram: VIP-2/.../2FLK14 (1-20) /S7