

## D-SUB connector set - VS-25-SET-STD - 1652198

Please be informed that the data shown in this PDF Document is generated from our Online Catalog. Please find the complete data in the user's documentation. Our General Terms of Use for Downloads are valid (<http://download.phoenixcontact.com>)



D-SUB connector set, shell size 3, unshielded

The illustration shows the product version VS-09-SET-STD

### Key commercial data

<b>package_quantity</b>	1
<b>GTIN</b>	4017918917135

### Technical data

#### Ambient conditions

<b>Degree of protection</b>	IP67
<b>Ambient temperature (operation)</b>	-40 °C ... 80 °C

#### General

<b>Design</b>	D-SUB 25
<b>Degree of protection</b>	IP67
<b>Inflammability class according to UL 94</b>	V0
<b>Cable exit</b>	Angled
<b>Housing material</b>	PA
<b>Seal material</b>	Flat gasket: NBR; profile gasket: EPDM
<b>Ambient temperature (operation)</b>	-40 °C ... 80 °C

### classifications

#### eCl@ss

<b>eCl@ss 4.0</b>	27140816
<b>eCl@ss 4.1</b>	27260701
<b>eCl@ss 5.0</b>	27260701
<b>eCl@ss 5.1</b>	27260701
<b>eCl@ss 6.0</b>	27260705
<b>eCl@ss 7.0</b>	27440309
<b>eCl@ss 8.0</b>	27440309

#### ETIM

<b>ETIM 2.0</b>	EC001121
-----------------	----------

# D-SUB connector set - VS-25-SET-STD - 1652198

classifications

ETIM

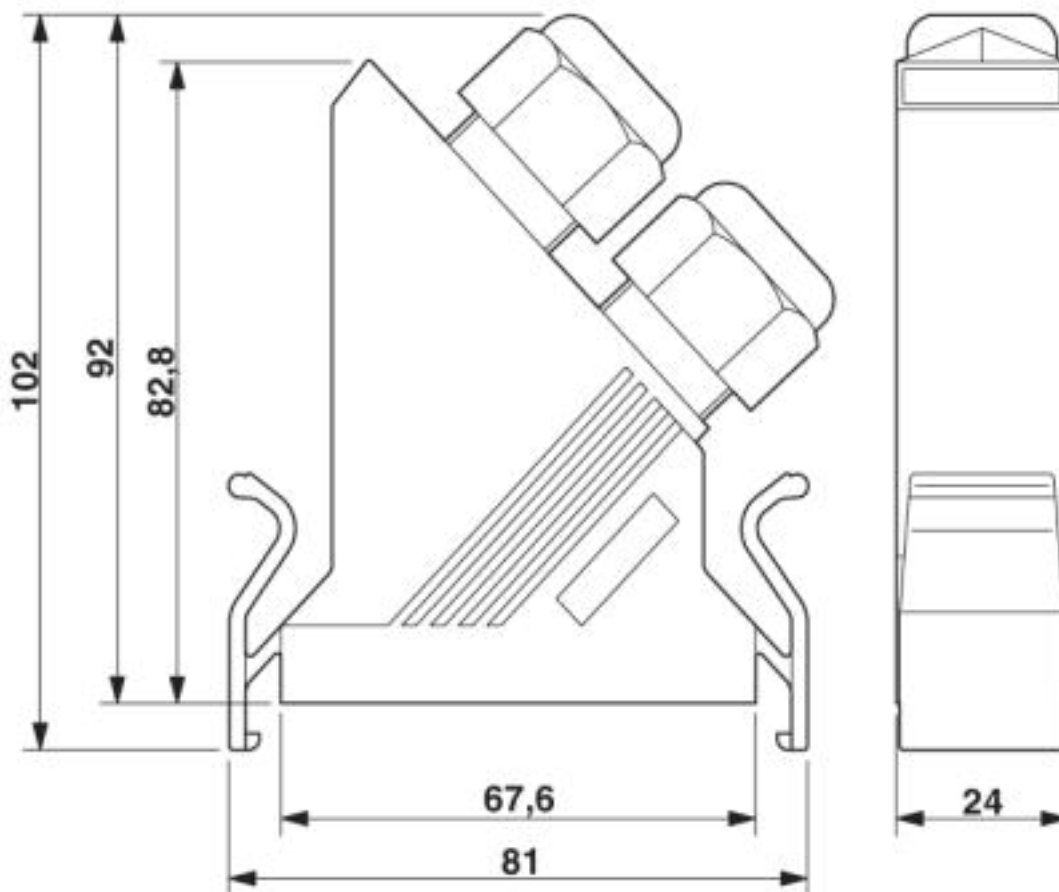
ETIM 3.0	EC001132
ETIM 4.0	EC002641
ETIM 5.0	EC002641

UNSPSC

UNSPSC 6.01	31261501
UNSPSC 7.0901	31261501
UNSPSC 11	31261501
UNSPSC 12.01	31261501
UNSPSC 13.2	31261501

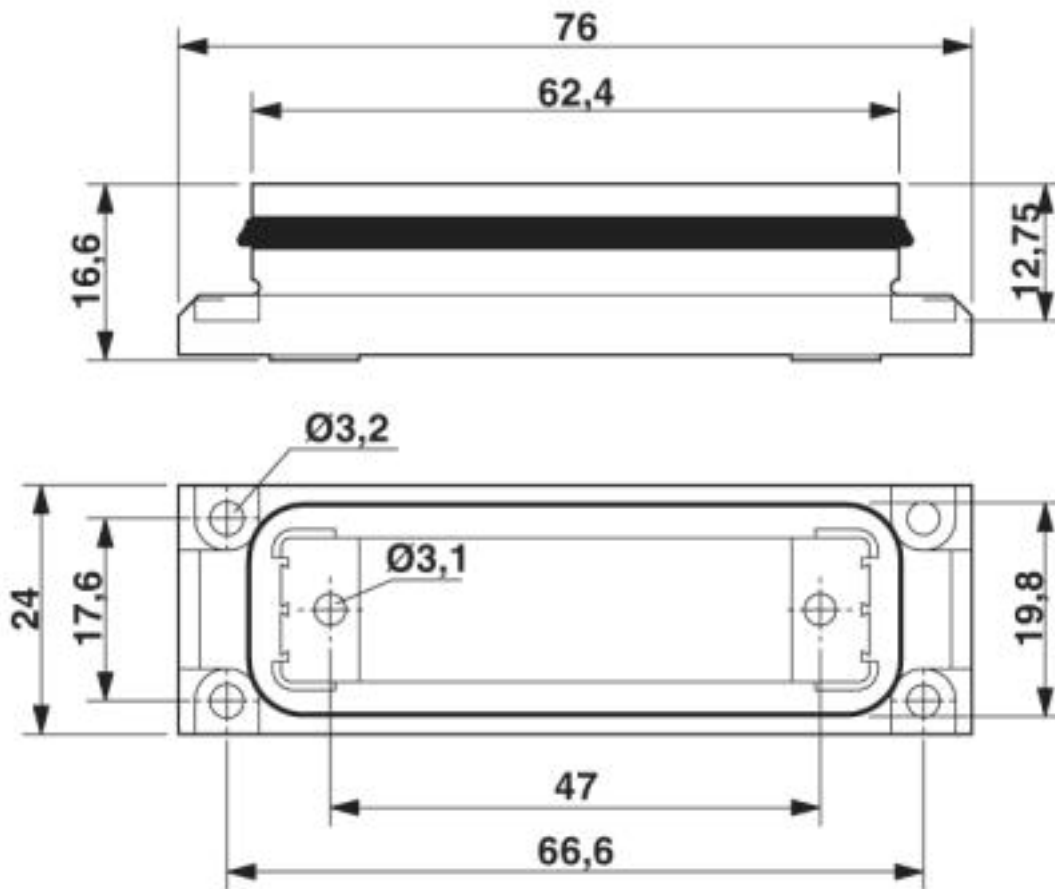
Drawings

Dimensioned drawing



## D-SUB connector set - VS-25-SET-STD - 1652198

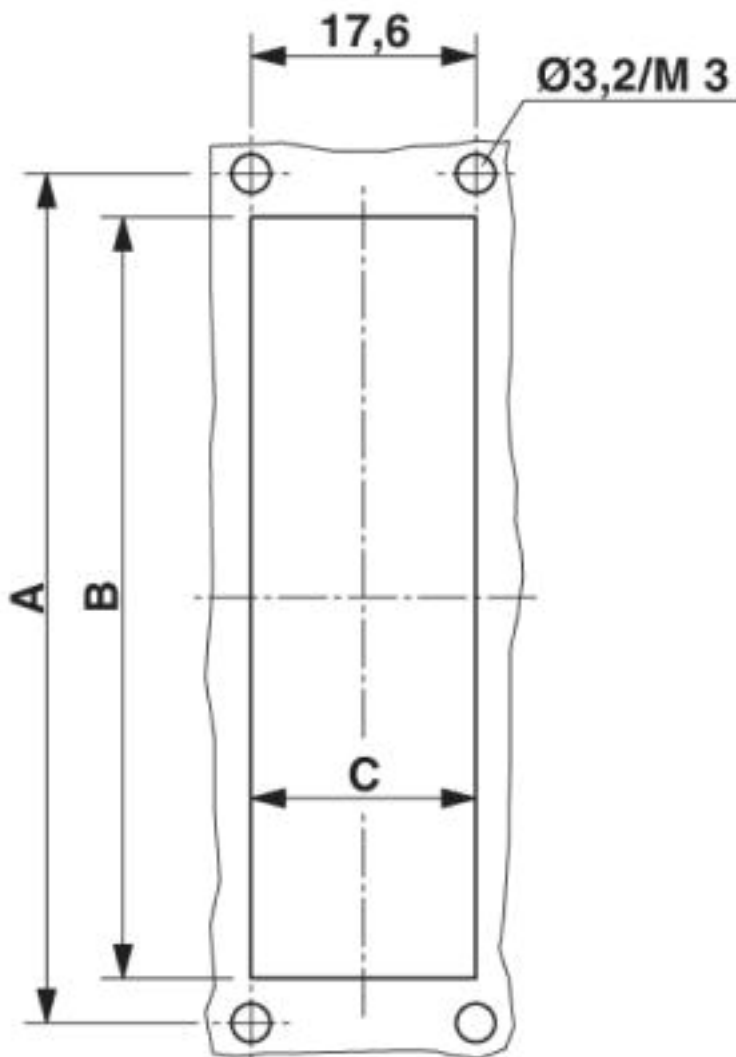
Dimensioned drawing



D-SUB panel mounting frame

## D-SUB connector set - VS-25-SET-STD - 1652198

Dimensioned drawing



Panel cutout

© Phoenix Contact 2013 - all rights reserved  
<http://www.phoenixcontact.com>