

D-SUB combination contact insert - VS-09-ST-DSUB-1P-4S-LH - 1655315

Please be informed that the data shown in this PDF Document is generated from our Online Catalog. Please find the complete data in the user's documentation. Our General Terms of Use for Downloads are valid (<http://download.phoenixcontact.com>)



D-SUB contact insert, shell size 1, with 4 signal contacts, for PCB assembly, angled, accommodation for 1 combined contact, contact type pin, fixing with M3 thread and solder pins, for panel mounting frame VS-09-...

Key commercial data

package_quantity	10
GTIN	4046356029254

Technical data

Mechanical characteristics

Number of positions	5
Connection profile	D-SUB 9
Insertion/withdrawal cycles	≥ 200
Connection method	Solder connection
Insertion force per signal contact	≤ 3.40 N
Extraction force per signal contact	≥ 0.2 N

Ambient conditions

Ambient temperature (operation)	-55 °C ... 125 °C
---------------------------------	-------------------

Material data

Inflammability class according to UL 94	V0
Housing material	Steel, yellow chromated
Contact carrier material	PBTP
Contact material	Copper alloy
Contact surface material	Gold over nickel

Electrical characteristics

Rated voltage (III/3)	250 V
Rated current	5 A
Contact resistance per contact pair	≤ 2.7 mΩ
Insulation resistance	≥ 5 GΩ

D-SUB combination contact insert - VS-09-ST-DSUB-1P-4S-LH - 1655315

classifications

eCl@ss

eCl@ss 4.0	27140816
eCl@ss 4.1	27260701
eCl@ss 5.0	27260701
eCl@ss 5.1	27260701
eCl@ss 6.0	27260705
eCl@ss 7.0	27440309
eCl@ss 8.0	27440309

ETIM

ETIM 2.0	EC000438
ETIM 3.0	EC000438
ETIM 4.0	EC000438
ETIM 5.0	EC000438

UNSPSC

UNSPSC 6.01	30211923
UNSPSC 7.0901	39121522
UNSPSC 11	39121522
UNSPSC 12.01	39121522
UNSPSC 13.2	39121522

approvals

GOST /

Approval details



accessories

Solder contact

VS-ST-LH-3,6/18/3,8 - 1655467



D-SUB combination contact insert - VS-09-ST-DSUB-1P-4S-LH - 1655315

accessories

VS-ST-KX-50-LP - 1655522

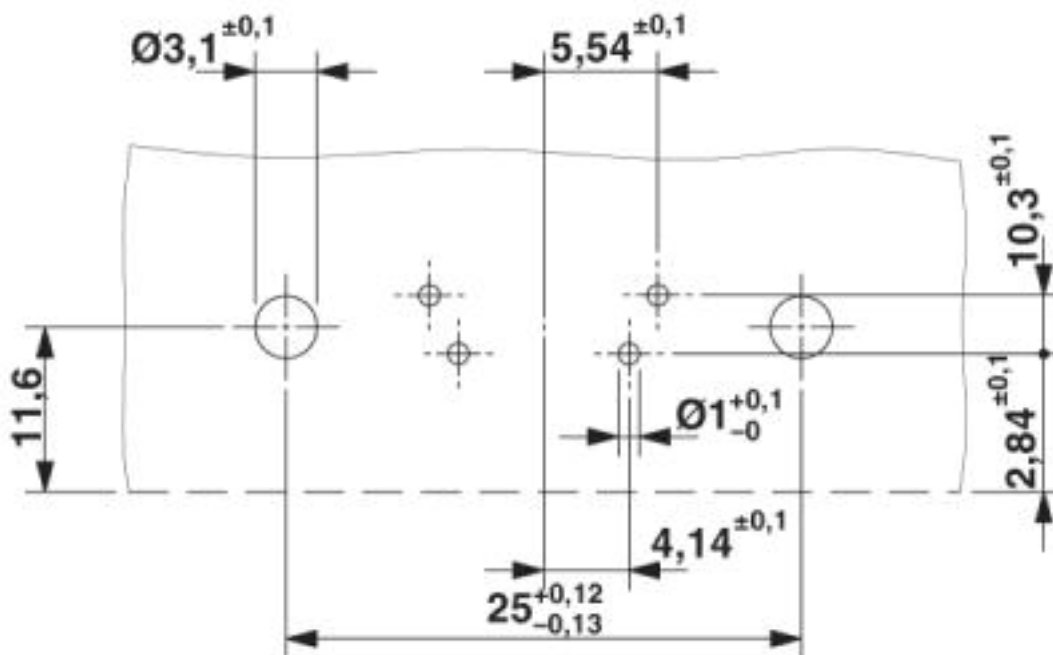


VS-ST-KX-75-LP - 1655645



Drawings

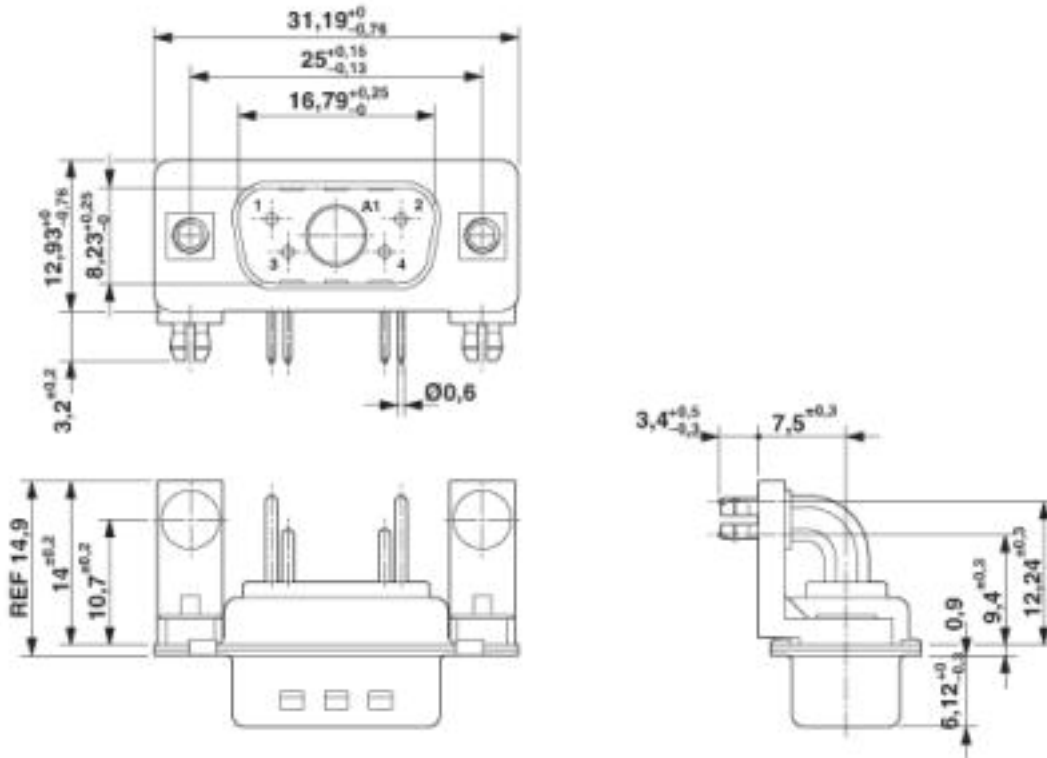
Drilling diagram



Drilling diagram

D-SUB combination contact insert - VS-09-ST-DSUB-1P-4S-LH - 1655315

Dimensioned drawing



D-SUB contact insert

© Phoenix Contact 2013 - all rights reserved
<http://www.phoenixcontact.com>