

## Patch cable - VS-04-2X2X26C7/7-SDA/OE/5,0 - 1655797

Please be informed that the data shown in this PDF Document is generated from our Online Catalog. Please find the complete data in the user's documentation. Our General Terms of Use for Downloads are valid (<http://download.phoenixcontact.com>)



Assembled USB cable, shielded, color: RAL 5021 (water blue), PUR outer sheath, USB type A/ standard on open cable end, length: 5 m

### Key commercial data

<b>package_quantity</b>	1
<b>GTIN</b>	4017918993887

### Technical data

#### Mechanical characteristics

<b>Number of positions</b>	4
<b>Shielded</b>	Yes
<b>Insertion/withdrawal cycles</b>	≥ 500
<b>Cable diameter</b>	6.70 mm
<b>Cable structure</b>	2x2xAWG26/7 + 2xAWG20/19; S/FTP
<b>Length of cable</b>	5 m

#### Ambient conditions

<b>Ambient temperature (operation)</b>	-20 °C ... 60 °C (cable, fixed installation)
<b>Ambient temperature (operation)</b>	0 °C ... 50 °C (cable, flexible installation)
<b>Ambient temperature (operation)</b>	(Plug / socket)
<b>Degree of protection</b>	IP20

#### Material data

<b>Housing material</b>	PA
<b>Outer sheath, material</b>	PUR
<b>External sheath, color</b>	water blue RAL 5021

#### Electrical characteristics

<b>Rated voltage (III/3)</b>	125 V
<b>Rated current</b>	1 A
<b>Transmission characteristics (category)</b>	USB 2.0

#### Line characteristics

<b>Cable type</b>	FireWire
<b>Cable structure</b>	2x2xAWG26/7 + 2xAWG20/19; S/FTP
<b>Conductor cross section</b>	2x 2x 0.14 mm <sup>2</sup> (signal line)

# Patch cable - VS-04-2X2X26C7/7-SDA/OE/5,0 - 1655797

## Technical data

### Line characteristics

<b>Conductor cross section</b>	2x 0.5 mm <sup>2</sup> (Power supply)
<b>AWG signal line</b>	26
<b>Conductor structure signal line</b>	7x 0.15 mm
<b>AWG power supply</b>	20
<b>Conductor structure, voltage supply</b>	19x 0.20 mm
<b>Core diameter including insulation</b>	≤ 1.05 mm (signal line)
<b>Core diameter including insulation</b>	nom. 1.4 mm (Power supply)
<b>External cable diameter</b>	6.7 mm
<b>Wire colors</b>	White-blue, white-orange, white, black
<b>External sheath, color</b>	water blue RAL 5021
<b>Insulation resistance</b>	5 GΩ*km
<b>Conductor resistance</b>	150 Ω/km
<b>Transmission characteristics (category)</b>	CAT7, for USB 2.0 (480 Mbps)
<b>Working capacitance</b>	42 pF (per meter)
<b>Wave impedance</b>	100 Ω ±5 % (At 100 MHz)
<b>Signal speed</b>	0.72 c
<b>Signal runtime</b>	4.6 ns/m
<b>Shield attenuation</b>	60 dB (Up to 1000 MHz)
<b>Interference suppression</b>	90 dB (Up to 1000 MHz)
<b>Coupling resistance</b>	5.00 mΩ/m (At 10 MHz)
<b>Nominal voltage, cable</b>	≤ 125 V
<b>Test voltage, cable</b>	1000 V
<b>Twisted pairs</b>	2 cores to the pair
<b>Type of pair shielding</b>	Aluminum-lined polyester foil
<b>Overall twist</b>	Two pairs and two power supply wires to the core
<b>Shielding</b>	Tinned copper braided shield
<b>Outer sheath, material</b>	PUR
<b>Material conductor insulation</b>	Cell PE (signal line)
<b>Material conductor insulation</b>	PVC (Power supply)
<b>Conductor material</b>	Bare Cu litz wires
<b>Cable weight</b>	59 kg/km
<b>Minimum bending radius, fixed installation</b>	5 x D
<b>Minimum bending radius, flexible installation</b>	5 x D
<b>Tensile strength short-term/long-term</b>	≤ 30 N
<b>Special properties</b>	Free of substances which would hinder coating with paint or varnish
<b>Flame resistance</b>	complying with IEC 60332-2-2
<b>Resistance to oil</b>	in accordance with EN 60811-2-1
<b>Other resistance</b>	Microbe resistance as per DIN VDE 0282
<b>Other resistance</b>	Hydrolysis resistance as per DIN 53504
<b>Ambient temperature (operation)</b>	-40 °C ... 70 °C (cable, fixed installation)
<b>Ambient temperature (operation)</b>	-10 °C ... 50 °C (cable, flexible installation)

## Patch cable - VS-04-2X2X26C7/7-SDA/OE/5,0 - 1655797

### Technical data

#### classifications

##### eCl@ss

eCl@ss 4.0	27140816
eCl@ss 4.1	27260701
eCl@ss 5.0	27260701
eCl@ss 5.1	27260701
eCl@ss 6.0	27279218
eCl@ss 7.0	27279218
eCl@ss 8.0	27279218

##### ETIM

ETIM 2.0	EC000830
ETIM 3.0	EC001855
ETIM 4.0	EC001855
ETIM 5.0	EC001855

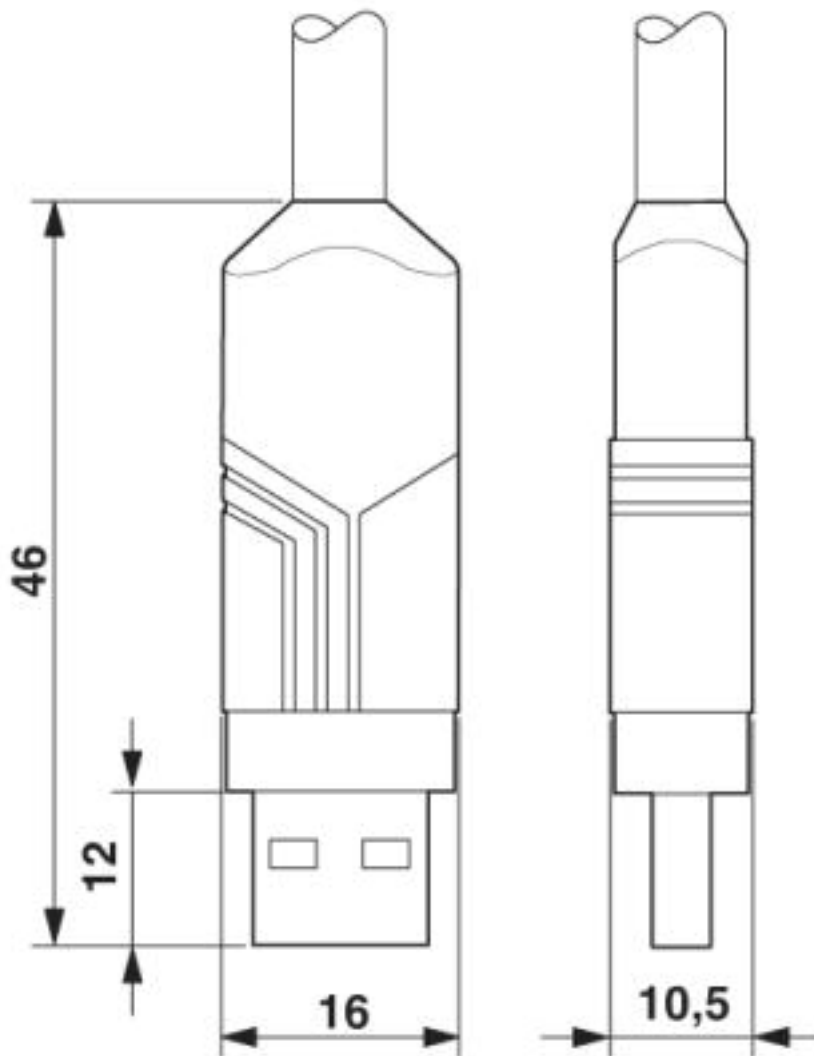
##### UNSPSC

UNSPSC 6.01	31261501
UNSPSC 7.0901	31261501
UNSPSC 11	31261501
UNSPSC 12.01	31261501
UNSPSC 13.2	31261501

### Drawings

# Patch cable - VS-04-2X2X26C7/7-SDA/OE/5,0 - 1655797

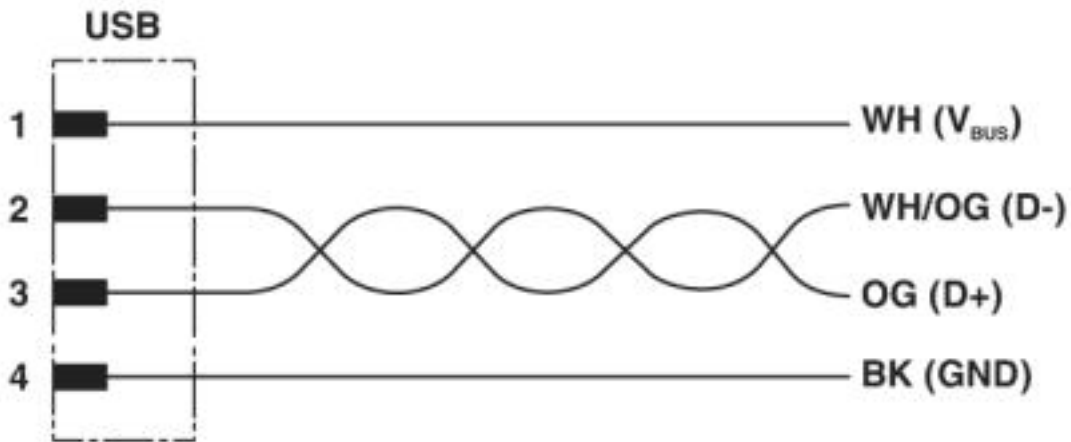
Dimensioned drawing



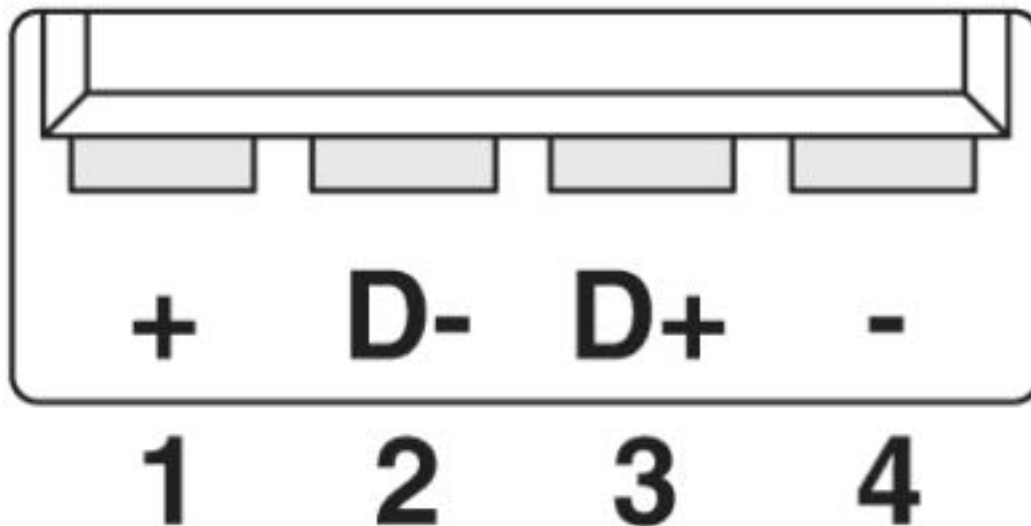
USB connector, type A, Standard

# Patch cable - VS-04-2X2X26C7/7-SDA/OE/5,0 - 1655797

Circuit diagram



Schematic diagram



Pin assignment plug USB, type A