

# D-SUB contact support - VS-15-ST-DSUB-3P - 1688201

Please be informed that the data shown in this PDF Document is generated from our Online Catalog. Please find the complete data in the user's documentation. Our General Terms of Use for Downloads are valid (<http://download.phoenixcontact.com>)



D-SUB contact carrier, shell size 2, accommodation for three combined contacts, contact type pin, straight, fixing with a 3 mm hole, for panel mounting frame and sleeve housing VS-15-...

## Key commercial data

<b>package_quantity</b>	10
<b>GTIN</b>	4017918179601

## Technical data

### Mechanical characteristics

<b>Number of positions</b>	3
<b>Insertion/withdrawal cycles</b>	≥ 500
<b>Connection method</b>	Fitting to accept combined contact

### Ambient conditions

<b>Ambient temperature (operation)</b>	-55 °C ... 125 °C
--	-------------------

### Material data

<b>Inflammability class according to UL 94</b>	V0
<b>Housing material</b>	Steel, yellow chromated
<b>Contact carrier material</b>	PBTP
<b>Contact surface material</b>	Gold over nickel

## classifications

### eCl@ss

<b>eCl@ss 4.0</b>	27140816
<b>eCl@ss 4.1</b>	27260701
<b>eCl@ss 5.0</b>	27260701
<b>eCl@ss 5.1</b>	27260701
<b>eCl@ss 6.0</b>	27260705
<b>eCl@ss 7.0</b>	27440207
<b>eCl@ss 8.0</b>	27440207

### ETIM

<b>ETIM 2.0</b>	EC000438
<b>ETIM 3.0</b>	EC000438

# D-SUB contact support - VS-15-ST-DSUB-3P - 1688201

## classifications

### ETIM

ETIM 4.0	EC000438
ETIM 5.0	EC000438

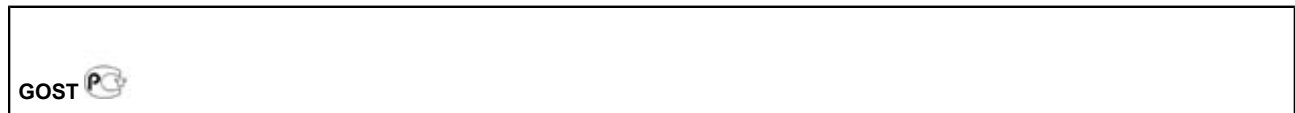
### UNSPSC

UNSPSC 6.01	30211923
UNSPSC 7.0901	39121522
UNSPSC 11	39121522
UNSPSC 12.01	39121522
UNSPSC 13.2	39121522

## approvals

GOST /

### Approval details



## accessories

### Screw contact

VS-ST-SC-2,6 - 1655483



### Solder contact

VS-ST-KX-50-RG178 - 1655506



## D-SUB contact support - VS-15-ST-DSUB-3P - 1688201

### accessories

VS-ST-KX-50-RG174 - 1655548



---

VS-ST-KX-50-RG58 - 1655580



---

VS-ST-KX-75-RG179/187 - 1655629



---

VS-ST-LK-3,6/22,4/2,6 - 1688243



---

VS-ST-LK-3,6/22,4/4,6 - 1688269

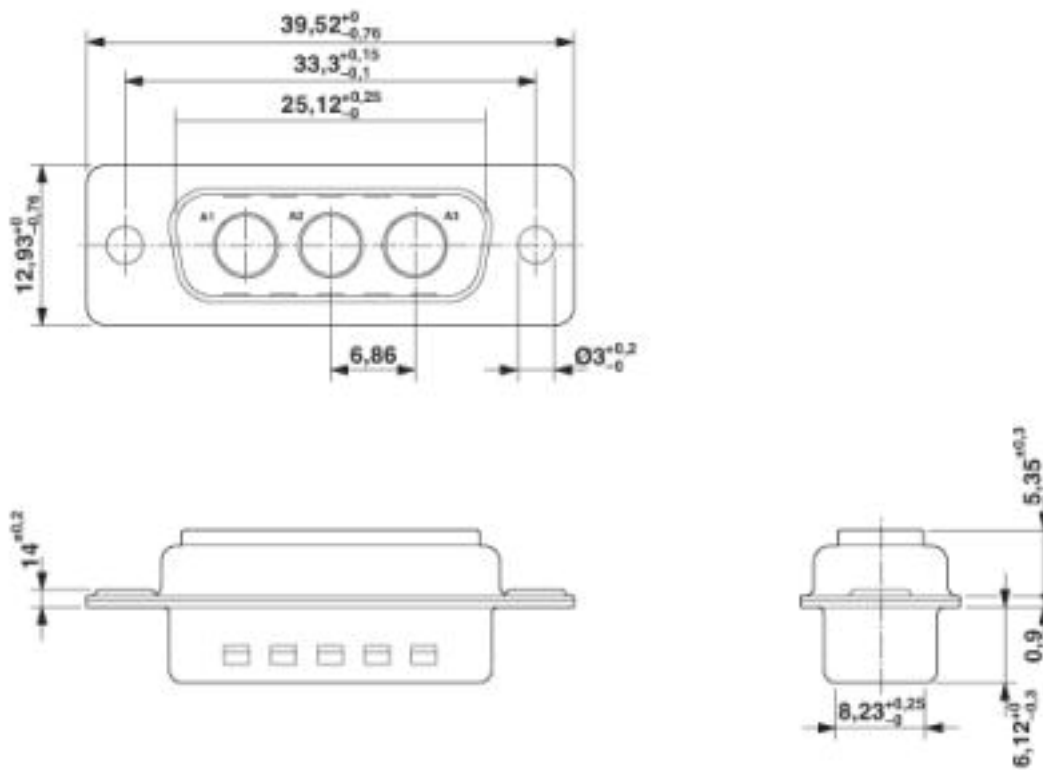


---

### Drawings

# D-SUB contact support - VS-15-ST-DSUB-3P - 1688201

Dimensioned drawing



D-SUB contact carrier

Schematic diagram

