

Contact insert - VC-AMS 4 - 1607745

Please be informed that the data shown in this PDF Document is generated from our Online Catalog. Please find the complete data in the user's documentation. Our General Terms of Use for Downloads are valid (<http://download.phoenixcontact.com>)



Contact insert module, for panel mounting frames, with screw connection, 3-pos. + PE, 690 V / 70 A

The illustration shows the product version VC-AMS 4

Product Features

- Compact design
- Proven COMBICON technology
- Universal connection
- Can be keyed to prevent incorrect connection

Key commercial data

package_quantity	5
GTIN	4017918969196

Technical data

General

Note	Connectors may only be connected/disconnected when under no load.
Connection method	Screw connection
Connection method	Screw connection
Tightening torque	1.2 Nm ... 1.8 Nm
Pollution degree	3
Surge voltage category	III
Number of positions	3+PE
No. of power contacts	4
Insertion/withdrawal cycles	≥ 50
Design	VC2
Conductor cross section AWG/kcmil min.	20
Conductor cross section AWG/kcmil max	6
Connection in acc. with standard	IEC / EN
Conductor cross section	0.5 mm ² ... 16 mm ²
Connection cross section AWG	20 ... 5
Stripping length of the individual wire	12 mm

Ambient conditions

Contact insert - VC-AMS 4 - 1607745

Technical data

Ambient conditions

Ambient temperature (operation)	-40 °C ... 100 °C
---------------------------------	-------------------

Material data

Inflammability class according to UL 94	V0
Contact material	CuZn
Contact surface material	hard-silver plated
Contact carrier material	PA

Electrical characteristics

Rated voltage (III/3)	690 V
Rated surge voltage	6 kV
Rated surge voltage	6 kV
Rated current	70 A
Rated current	70 A

classifications

eCl@ss

eCl@ss 4.0	27140816
eCl@ss 4.1	27140816
eCl@ss 5.0	27143424
eCl@ss 5.1	27143424
eCl@ss 6.0	27143424
eCl@ss 7.0	27440209
eCl@ss 8.0	27440209

ETIM

ETIM 2.0	EC000438
ETIM 3.0	EC000438
ETIM 4.0	EC000438
ETIM 5.0	EC000438

UNSPSC

UNSPSC 6.01	30211923
UNSPSC 7.0901	39121522
UNSPSC 11	39121522
UNSPSC 12.01	39121522
UNSPSC 13.2	39121522

approvals

UL Recognized / cUL Recognized / GOST / GOST / cULus Recognized /

Contact insert - VC-AMS 4 - 1607745

approvals

Approval details

UL Recognized	
Nominal voltage UN	600 V
Nominal current IN	55 A
mm ² /AWG/kcmil	20-6

cUL Recognized	
Nominal voltage UN	600 V
Nominal current IN	45 A
mm ² /AWG/kcmil	20-6

GOST

--

cULus Recognized

accessories

Coding element

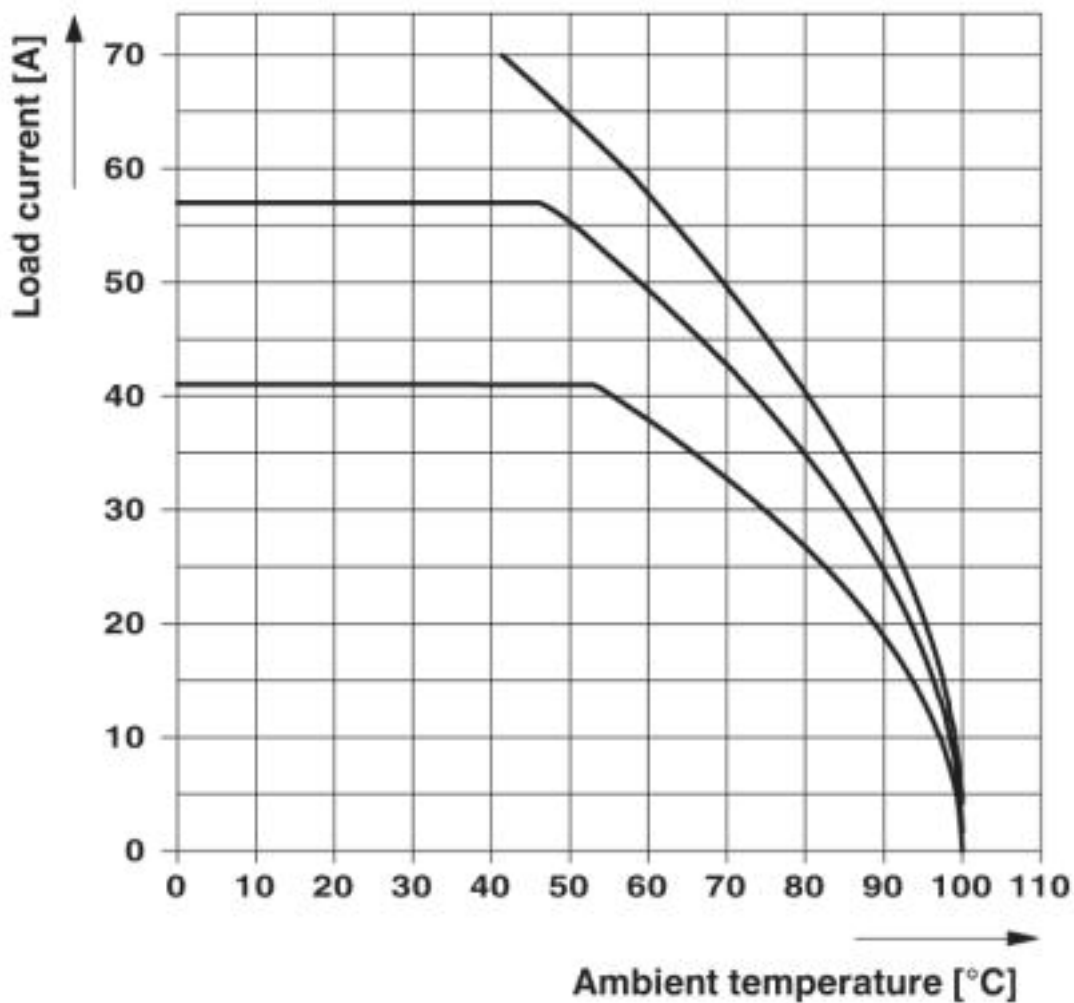
CP-HCC 4 - 1600027



Drawings

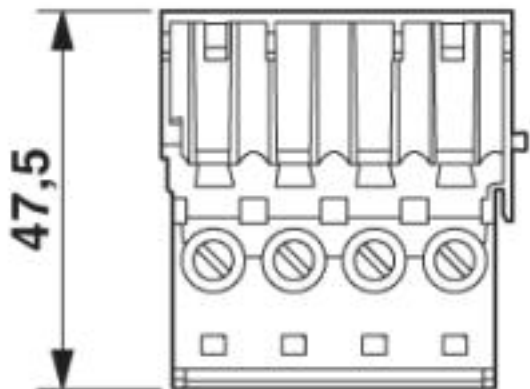
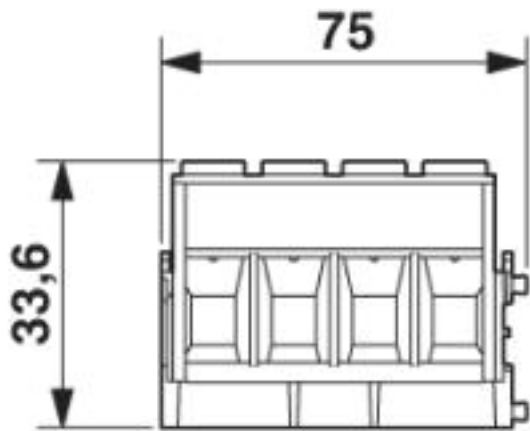
Contact insert - VC-AMS 4 - 1607745

Diagram



Contact insert - VC-AMS 4 - 1607745

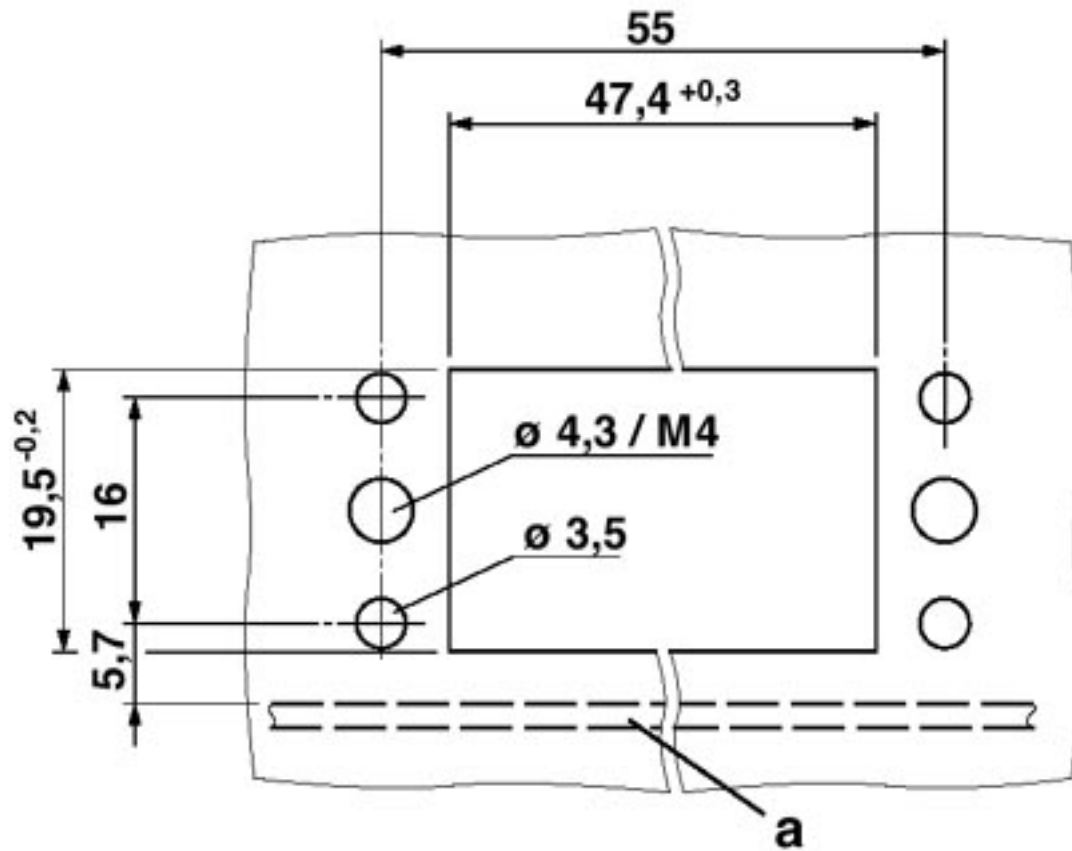
Dimensioned drawing



Contact insert

Contact insert - VC-AMS 4 - 1607745

Dimensioned drawing



Panel cutout

© Phoenix Contact 2013 - all rights reserved
<http://www.phoenixcontact.com>