

# FO converters - PSI-MOS-RS232/FO 850 E - 2708371

Please be informed that the data shown in this PDF Document is generated from our Online Catalog. Please find the complete data in the user's documentation. Our General Terms of Use for Downloads are valid (<http://download.phoenixcontact.com>)



FO converter with integrated optical diagnosis, alarm contact, for RS-232 interfaces up to 115.2 kbps, terminal equipment with an FO interface (BFOC), 850 nm, for HCS/fiber glass cable

## Product Features

- Connections can be plugged in using a COMBICON screw terminal block
- Supply voltage and data signals routed through via DIN rail connectors
- High-quality electrical isolation between all interfaces (RS-232 // fiber optic ports // power supply // DIN rail connector)
- Redundant power supply possible by means of optional system power supply unit
- Approved for use in zone 2
- Intrinsically safe fiber optic interface (Ex op is) for direct connection to devices in zone 1
- Integrated optical diagnostics for continuous monitoring of fiber optic paths
- Floating switch contact for leading alarm generation in relation to critical fiber optic paths
- Automatic data rate detection for all data rates up to 115.2 kbps



## Key commercial data

package_quantity	1
GTIN	4017918974077

## Technical data

Note:

Utilization restriction	EMC: class A product, see manufacturer's declaration in the download area
-------------------------	---

### Dimensions

Width	35 mm
Height	99 mm
Depth	105 mm

### Ambient conditions

Ambient temperature (operation)	-20 °C ... 60 °C
Ambient temperature (storage/transport)	-40 °C ... 85 °C
Permissible humidity (operation)	30 % ... 95 % (no condensation)
Altitude	5000 m (For restrictions see manufacturer's declaration)
Degree of protection	IP20

# FO converters - PSI-MOS-RS232/FO 850 E - 2708371

## Technical data

### Ambient conditions

<b>Noise immunity</b>	EN 61000-6-2:2005
-----------------------	-------------------

### Serial interface

<b>Interface 1</b>	V.24 (RS-232) interface in acc. with ITU-T V.28, EIA/TIA-232, DIN 66259-1
<b>Connection method</b>	D-SUB-9 male connector
<b>Transmission medium</b>	Copper
<b>Transmission length</b>	≤ 15 m
<b>Conductor cross section solid min.</b>	0.2 mm <sup>2</sup>
<b>Conductor cross section solid max.</b>	2.5 mm <sup>2</sup>
<b>Conductor cross section stranded min.</b>	0.2 mm <sup>2</sup>
<b>Conductor cross section stranded max.</b>	2.5 mm <sup>2</sup>
<b>Conductor cross section AWG/kcmil min.</b>	24
<b>Conductor cross section AWG/kcmil max</b>	14
<b>Serial transmission speed</b>	115.2 kbps (NRZ)

### Optical interface FO

<b>Transmit capacity, minimum</b>	-4.6 dBm (200/230 μm)
<b>Transmit capacity, minimum</b>	-17.6 dBm (50/125 μm)
<b>Transmit capacity, minimum</b>	-13.6 dBm (62,5/125 μm)
<b>Minimum receiver sensitivity</b>	-33.2 dBm
<b>Wavelength</b>	850 nm
<b>Transmission length incl. 3 dB system reserve</b>	2800 m (with F-K 200/230 8 dB/km with quick mounting connector)
<b>Transmission length incl. 3 dB system reserve</b>	4200 m (with F-G 50/125 2.5 dB/km)
<b>Transmission length incl. 3 dB system reserve</b>	4800 m (with F-G 62,5/125 3.0 dB/km)
<b>Transmission medium</b>	HCS fiber
<b>Transmission medium</b>	Multi-mode fiberglass
<b>Transmission protocol</b>	Transparent to protocol for RS-232 interface
<b>Connection method</b>	B-FOC (ST <sup>®</sup> )

### Fault warning output

<b>Maximum switching voltage</b>	60 V DC
<b>Maximum switching voltage</b>	42 V AC
<b>Limiting continuous current</b>	0.46 A

### Power supply

<b>Supply voltage range</b>	18 V DC ... 30 V DC
<b>Max. current consumption</b>	120 mA
<b>Typical current consumption</b>	120 mA (24 V DC)
<b>Connection method</b>	COMBICON plug-in screw terminal block

### General

<b>Transmission channels</b>	2 (1/1), RxD, TxD, full duplex
<b>Bit distortion, input</b>	± 35 % (permitted)

# FO converters - PSI-MOS-RS232/FO 850 E - 2708371

## Technical data

### General

<b>Bit distortion, output</b>	< 6.25 %
<b>Electrical isolation</b>	(VCC // V.24 (RS-232))
<b>Test voltage data interface/power supply</b>	1.5 kV <sub>rms</sub> (50 Hz, 1 min.)
<b>Electromagnetic compatibility</b>	Conformance with EMC Directive 2004/108/EC
<b>Noise emission</b>	EN 55011
<b>Net weight</b>	190 g
<b>Housing material</b>	PA 6.6-FR
<b>Color</b>	green
<b>MTBF</b>	320 Years (Telcordia standard, 25°C temperature, 21% operating cycle (5 days a week, 8 hours a day))
<b>MTBF</b>	48 Years (Telcordia standard, 40°C temperature, 34.25% operating cycle (5 days a week, 12 hours a day))
<b>Conformance</b>	CE-compliant
<b>ATEX</b>	# II 3 G Ex nAC IIC T4 X
<b>ATEX</b>	# II (2) GD [Ex op is] IIC (PTB 06 ATEX 2042 U)
<b>UL, USA / Canada</b>	Class I, Zone 2, AEx nc IIC T5
<b>UL, USA / Canada</b>	Class I, zone 2, Ex nC nL IIC T5 X
<b>UL, USA / Canada</b>	Class I, Div. 2, Groups A, B, C, D

## classifications

### eCl@ss

<b>eCl@ss 4.0</b>	27230207
<b>eCl@ss 4.1</b>	27230207
<b>eCl@ss 5.0</b>	27230207
<b>eCl@ss 5.1</b>	27230207
<b>eCl@ss 6.0</b>	27230207
<b>eCl@ss 7.0</b>	27230207
<b>eCl@ss 8.0</b>	27230207

### ETIM

<b>ETIM 2.0</b>	EC001423
<b>ETIM 3.0</b>	EC001423
<b>ETIM 4.0</b>	EC001423
<b>ETIM 5.0</b>	EC001423

### UNSPSC

<b>UNSPSC 6.01</b>	30211506
<b>UNSPSC 7.0901</b>	39121008
<b>UNSPSC 11</b>	39121008
<b>UNSPSC 12.01</b>	39121008
<b>UNSPSC 13.2</b>	43201553

# FO converters - PSI-MOS-RS232/FO 850 E - 2708371

## approvals

ATEX / UL Listed / cUL Listed / cULus Listed / UL Recognized / cUL Recognized / cULus Recognized /

### Approval details

ATEX	
Nominal voltage UN	
Nominal current IN	
mm <sup>2</sup> /AWG/kcmil	

UL Listed
-----------

cUL Listed
------------

cULus Listed
--------------

UL Recognized
---------------

cUL Recognized
----------------

cULus Recognized
------------------

## accessories

### Connector set

## FO converters - PSI-MOS-RS232/FO 850 E - 2708371

accessories

PSM-SET-B-FOC/4-HCS - 2708481



---

### Data cable by the meter

PSM-LWL-HCS-RUGGED-200/230 - 2799885



---

PSM-LWL-HCSO-200/230 - 2799445



---

PSM-LWL-GDM-RUGGED- 50/125 - 2799322



---

PSM-LWL-GDO- 50/125 - 2799432



---

### Power supply

## FO converters - PSI-MOS-RS232/FO 850 E - 2708371

### accessories

MINI-SYS-PS-100-240AC/24DC/1.5 - 2866983



---

### DIN rail connector

ME 17,5 TBUS 1,5/ 5-ST-3,81 GN - 2709561



---

### Assembly tool

PSM-HCS-KONFTOOL/B-FOC - 2708465



---

### Measuring tools

PSM-FO-POWERMETER - 2799539



---

### Adapter

PSM-SET-BFOC-LINK/2 - 2799429



# FO converters - PSI-MOS-RS232/FO 850 E - 2708371

## accessories

---

### Data plug

SUBCON-PLUS 9/F - 2744241



SUBCON-PLUS 9/M - 2744018



### Screwdriver tools

SZS 0,4X2,5 VDE - 1205037



### Adapter cable

PSM-KA9SUB9/BB/0,5METER - 2708520



PSM-KA9SUB9/BB/2METER - 2799474



## FO converters - PSI-MOS-RS232/FO 850 E - 2708371

### accessories

PSM-KA 9 SUB 25/BB/2METER - 2761059



---

PSM-KAD-IL RS232/9SUB/B/0,8M - 2319200



---

### Interface converter

PSM-ME-RS232/RS485-P - 2744416



---

### Data cable preassembled

FL MM PATCH 1,0 LC-ST - 2989174



---

FL MM PATCH 2,0 LC-ST - 2989271





## FO converters - PSI-MOS-RS232/FO 850 E - 2708371

### accessories

FL MM PATCH 5,0 LC-ST - 2901801



---

FL MM PATCH 1,0 SC-ST - 2901809



---

FL MM PATCH 5,0 SC-ST - 2901811



---

FL MM PATCH 1,0 ST-ST - 2901815



---

FL MM PATCH 2,0 ST-ST - 2901816



---

FL MM PATCH 5,0 ST-ST - 2901817



## FO converters - PSI-MOS-RS232/FO 850 E - 2708371

### accessories

---

FL MM PATCH 1,0 ST-SCRJ - 2901820



FL MM PATCH 2,0 ST-SCRJ - 2901821



FL MM PATCH 5,0 ST-SCRJ - 2901822



### accessories

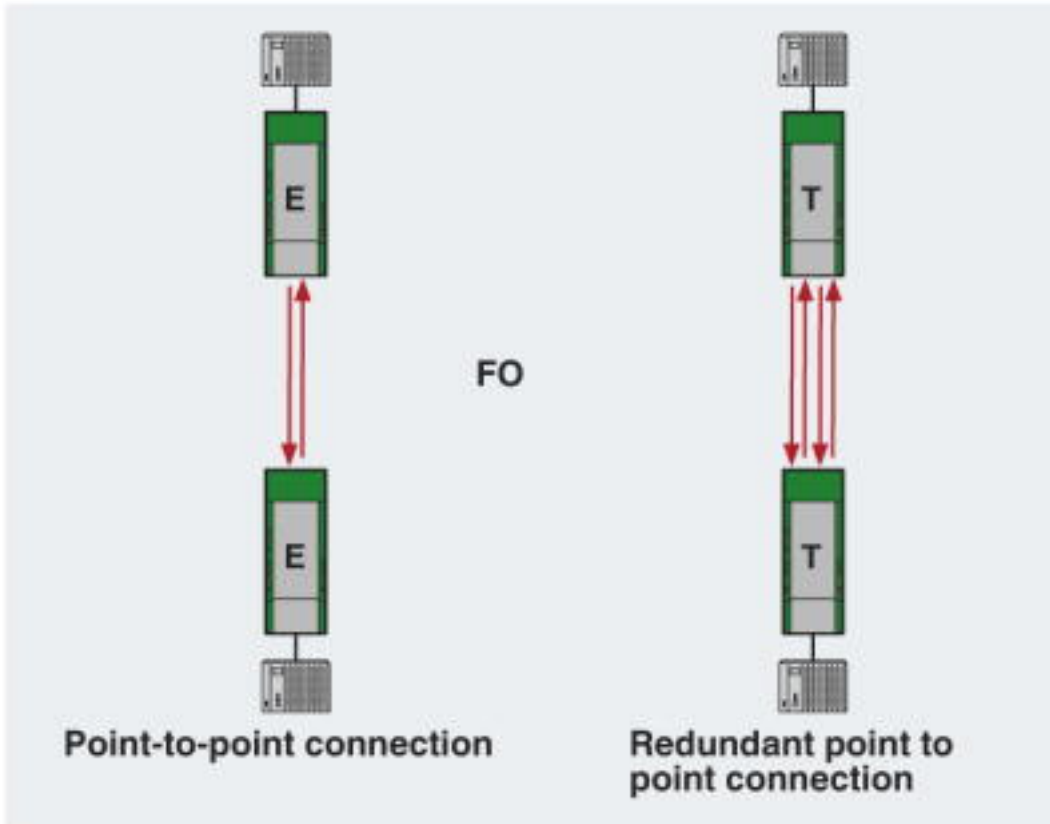
---

ME 17,5 TBUS 1,5/PP000-3,81 BK - 2890014

### Drawings

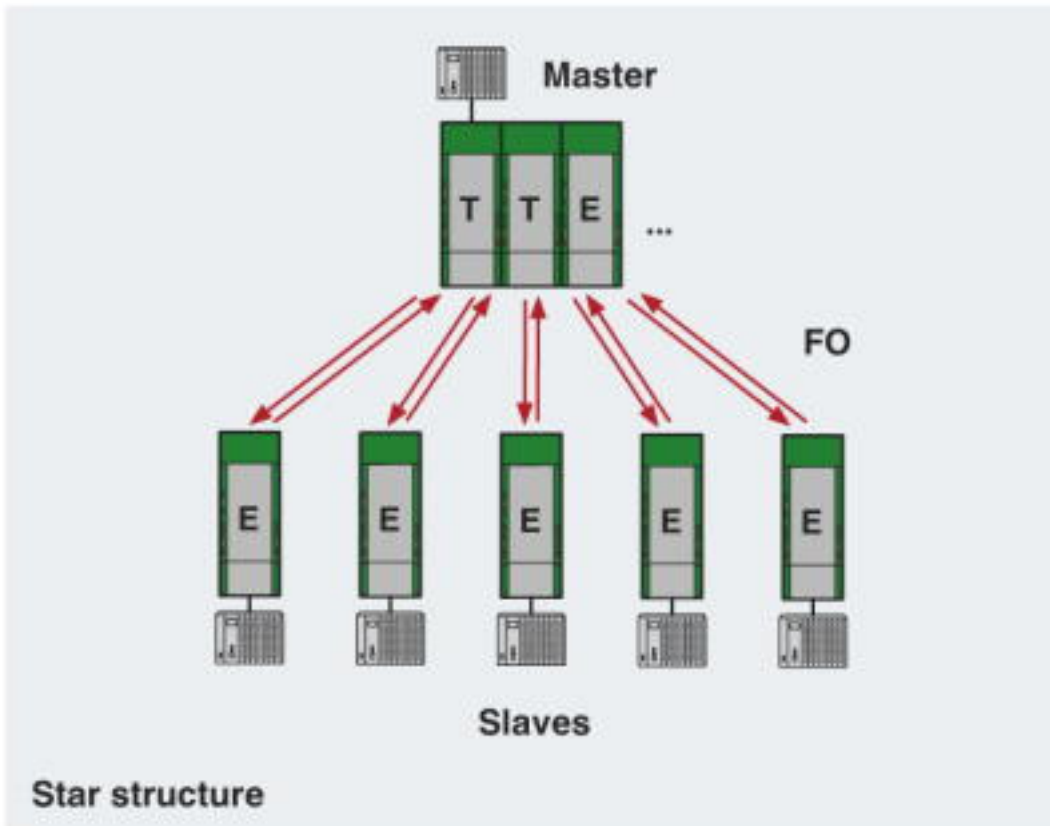
# FO converters - PSI-MOS-RS232/FO 850 E - 2708371

Application drawing



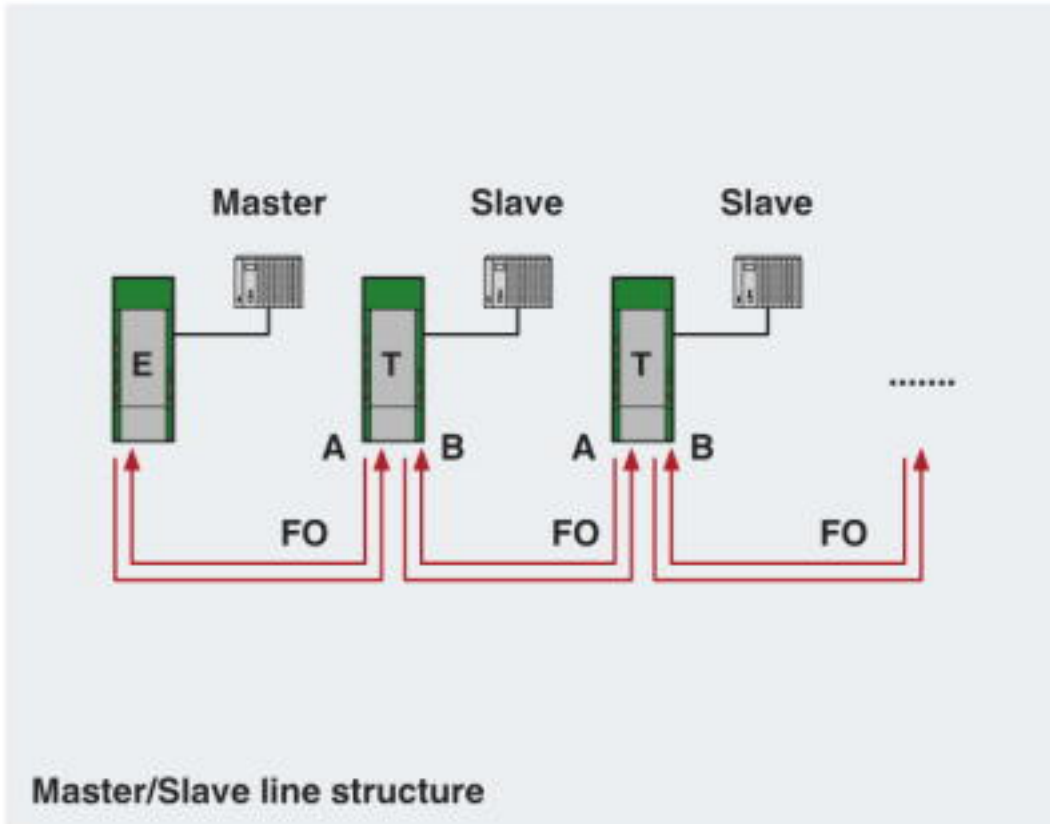
# FO converters - PSI-MOS-RS232/FO 850 E - 2708371

Application drawing



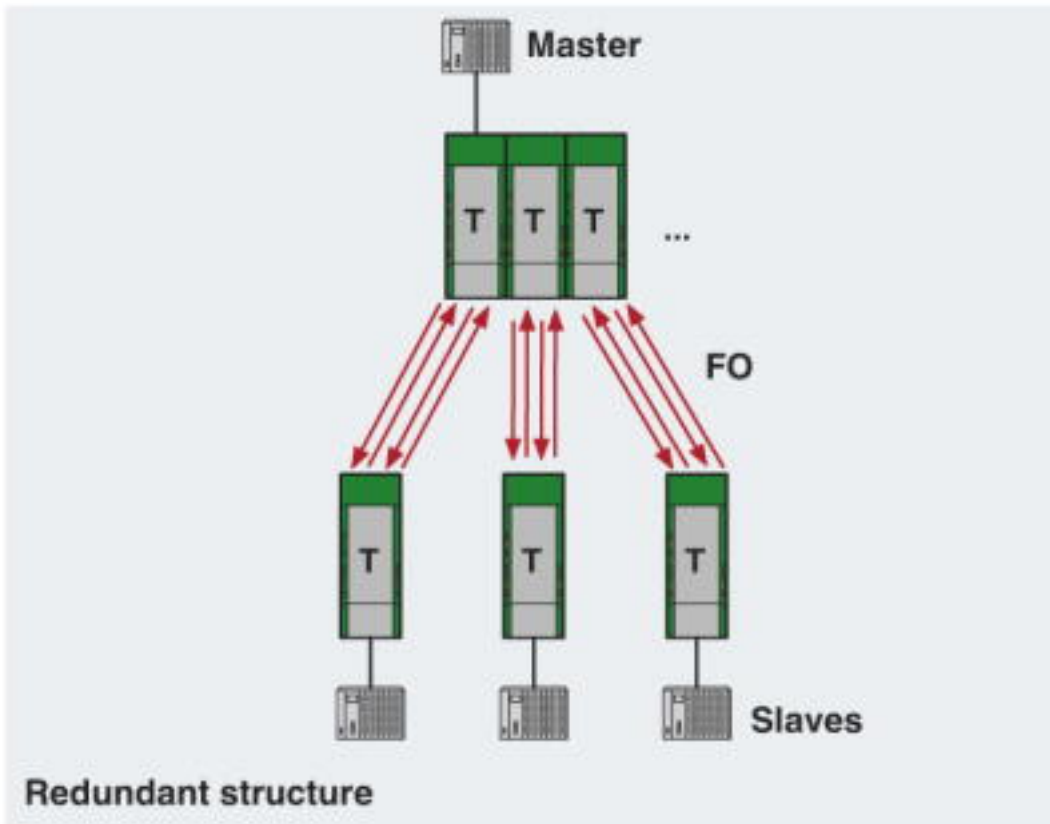
# FO converters - PSI-MOS-RS232/FO 850 E - 2708371

Application drawing

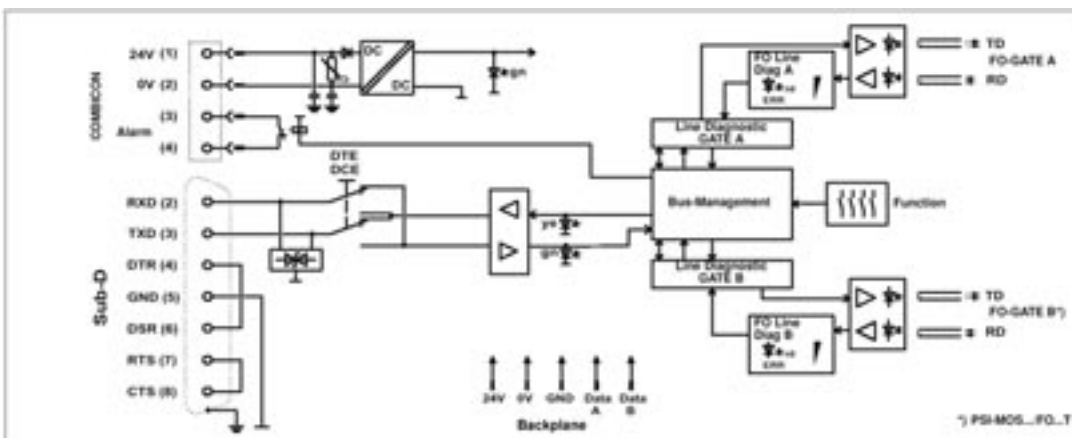


# FO converters - PSI-MOS-RS232/FO 850 E - 2708371

Application drawing



Block diagram



\*) only with PSI-MOS.../FO...T