

Fuse holder - SI-H-FKS 15 - 1728996

Please be informed that the data shown in this PDF Document is generated from our Online Catalog. Please find the complete data in the user's documentation. Our General Terms of Use for Downloads are valid (<http://download.phoenixcontact.com>)



Printed circuit fuse carrier, for 5 mm wide automotive flat-type fuses up to max. 15 A

Product Features

- Fuse holder for flat-type fuses with a maximum nominal voltage of 32 V
- With snap-in foot for secure pre-assembly on the PCB

Key commercial data

package_quantity	50
GTIN	4017918025878

classifications

eCl@ss

eCl@ss 4.0	272607xx
eCl@ss 4.1	27260701
eCl@ss 5.0	27260701
eCl@ss 5.1	27260701
eCl@ss 6.0	27260704
eCl@ss 7.0	27440490
eCl@ss 8.0	27440490

ETIM

ETIM 3.0	EC002298
ETIM 4.0	EC002498
ETIM 5.0	EC002298

UNSPSC

UNSPSC 6.01	30211810
UNSPSC 7.0901	39121409
UNSPSC 11	39121409
UNSPSC 12.01	39121409
UNSPSC 13.2	39121409

approvals

Fuse holder - SI-H-FKS 15 - 1728996

approvals

Approval details

CSA

UL Recognized

Usegroups	B	C
Nominal voltage UN	32 V	300 V
Nominal current IN	15 A	15 A
mm ² /AWG/kcmil		

GOST

UL Recognized

Usegroups	B	D
Nominal voltage UN	250 V	300 V
Nominal current IN	12 A	10 A
mm ² /AWG/kcmil		

accessories

Fuse

SI FORM C 2 A - 0913689



Fuse holder - SI-H-FKS 15 - 1728996

accessories

SI FORM C 4 A DIN 72581 - 0913731



SI FORM C 5 A DIN 72581 - 0913692



SI FORM C 7,5 A DIN 72581 - 0913702



SI FORM C 10 A DIN 72581 - 0913715



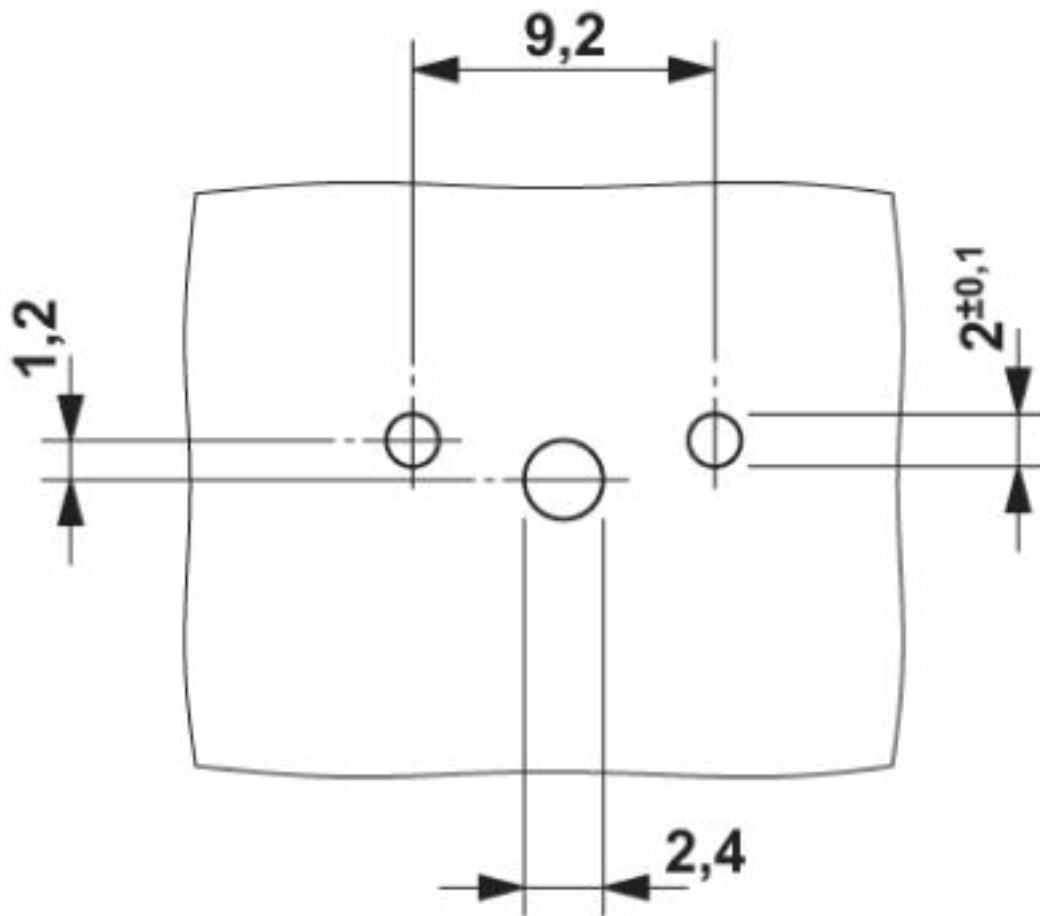
SI FORM C 15 A DIN 72581 - 0913676



Drawings

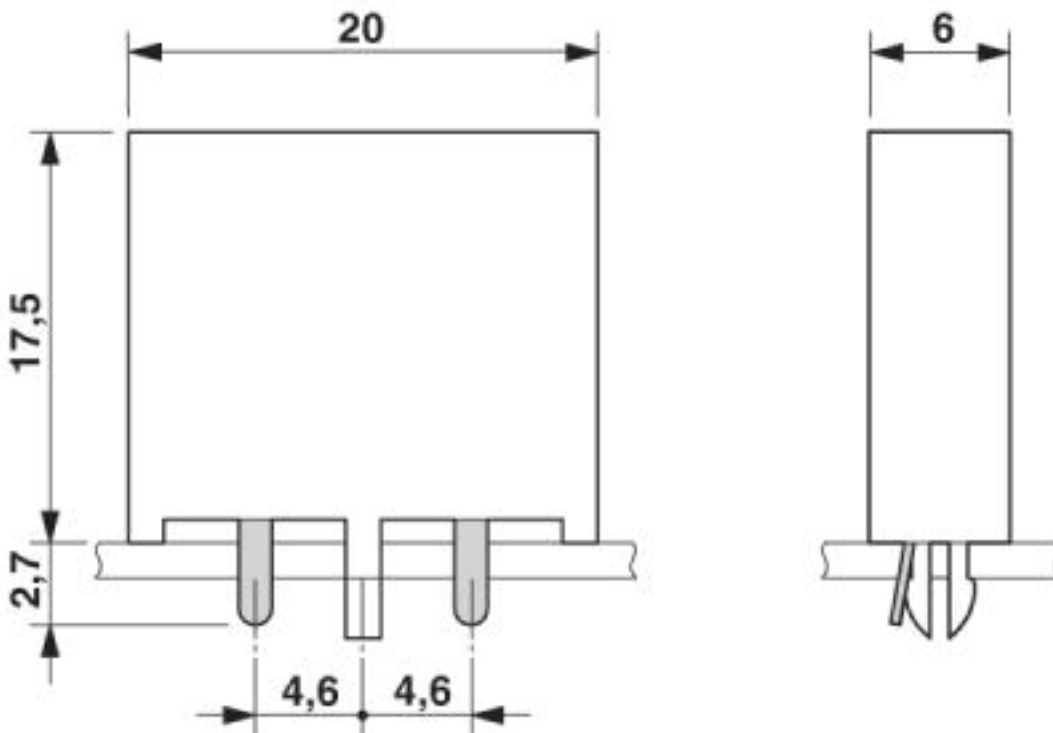
Fuse holder - SI-H-FKS 15 - 1728996

Drilling diagram



Fuse holder - SI-H-FKS 15 - 1728996

Dimensioned drawing



© Phoenix Contact 2013 - all rights reserved
<http://www.phoenixcontact.com>