

D-SUB contact support - VS-09-BU-DSUB-2P - 1688421

Please be informed that the data shown in this PDF Document is generated from our Online Catalog. Please find the complete data in the user's documentation. Our General Terms of Use for Downloads are valid (<http://download.phoenixcontact.com>)



D-SUB contact carrier, shell size 1, accommodation for two combined contacts, contact type socket, straight, fixing with a 3 mm hole, for panel mounting frame and sleeve housing VS-09-...

Key commercial data

package_quantity	10
GTIN	4017918818357

Technical data

Mechanical characteristics

Number of positions	2
Insertion/withdrawal cycles	≥ 500
Connection method	Fitting to accept combined contact

Ambient conditions

Ambient temperature (operation)	-55 °C ... 125 °C
--	-------------------

Material data

Inflammability class according to UL 94	V0
Housing material	Steel, yellow chromated
Contact carrier material	PBTP
Contact surface material	Gold over nickel

classifications

eCl@ss

eCl@ss 4.0	27140816
eCl@ss 4.1	27260701
eCl@ss 5.0	27260701
eCl@ss 5.1	27260701
eCl@ss 6.0	27261203
eCl@ss 7.0	27440202
eCl@ss 8.0	27440202

ETIM

ETIM 2.0	EC000437
ETIM 3.0	EC000437

D-SUB contact support - VS-09-BU-DSUB-2P - 1688421

classifications

ETIM

ETIM 4.0	EC000437
ETIM 5.0	EC000437

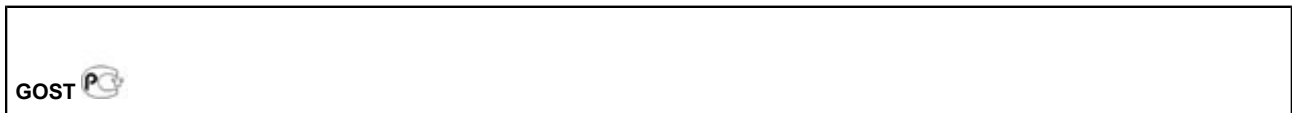
UNSPSC

UNSPSC 6.01	31261501
UNSPSC 7.0901	31261501
UNSPSC 11	31261501
UNSPSC 12.01	31261501
UNSPSC 13.2	31261501

approvals

GOST /

Approval details



accessories

Screw contact

VS-BU-SC-2,6 - 1655470



Solder contact

VS-BU-KX-50-RG178 - 1655496



D-SUB contact support - VS-09-BU-DSUB-2P - 1688421

accessories

VS-BU-KX-50-RG174 - 1655535



VS-BU-KX-50-RG58 - 1655577



VS-BU-KX-75-RG179/187 - 1655616



VS-BU-LK-3,6/22,8/2,6 - 1688256



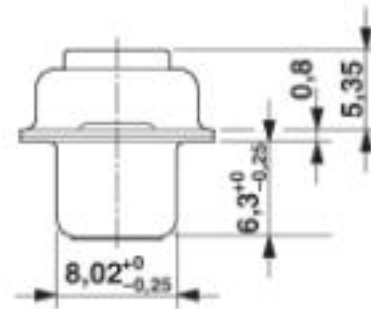
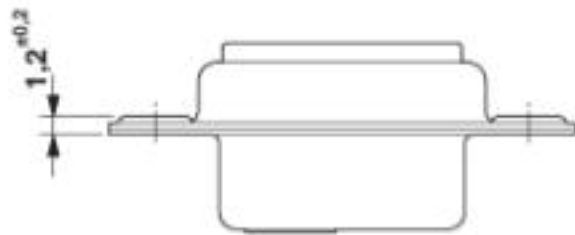
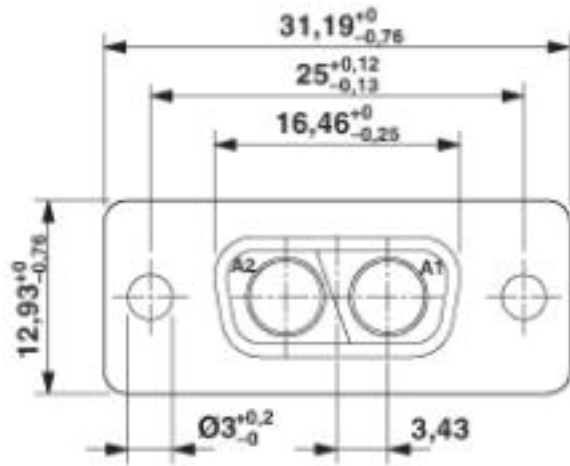
VS-BU-LK-3,6/22,8/4,6 - 1688272



Drawings

D-SUB contact support - VS-09-BU-DSUB-2P - 1688421

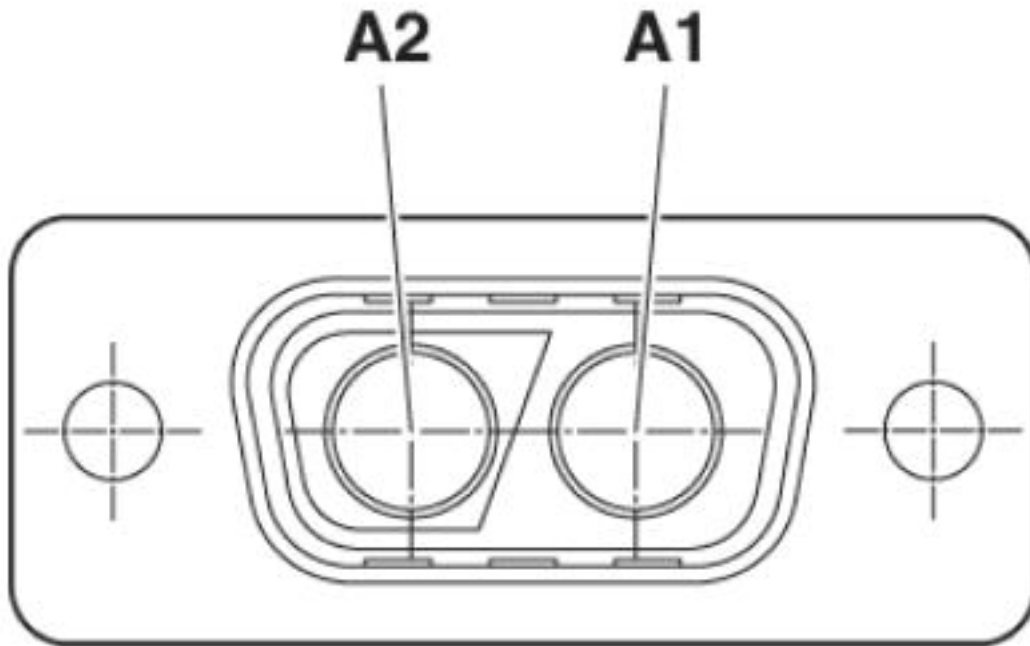
Dimensioned drawing



D-SUB contact carrier

D-SUB contact support - VS-09-BU-DSUB-2P - 1688421

Schematic diagram



© Phoenix Contact 2013 - all rights reserved
<http://www.phoenixcontact.com>