

D-SUB protective cover - VS-25-SD - 1652211

Please be informed that the data shown in this PDF Document is generated from our Online Catalog. Please find the complete data in the user's documentation. Our General Terms of Use for Downloads are valid (<http://download.phoenixcontact.com>)



D-SUB protective cover, shell size 3, IP54 degree of protection, for panel mounting frame and sleeve housing VS-25-...

Key commercial data

package_quantity	5
GTIN	4017918917142

Technical data

Mechanical characteristics

Connection profile	25-pos. D-SUB
Locking type	Without
Insertion/withdrawal cycles	≥ 1000
Color	gray

Ambient conditions

Ambient temperature (operation)	-40 °C ... 80 °C
Degree of protection	IP54

Material data

Inflammability class according to UL 94	V0
Housing material	PA
Material	Plastic

classifications

eCl@ss

eCl@ss 4.0	27140816
eCl@ss 4.1	27260701
eCl@ss 5.0	27260701
eCl@ss 5.1	27260701
eCl@ss 6.0	27261203
eCl@ss 7.0	27440202
eCl@ss 8.0	27440202

ETIM

ETIM 2.0	EC000437
-----------------	----------

D-SUB protective cover - VS-25-SD - 1652211

classifications

ETIM

ETIM 3.0	EC000437
ETIM 4.0	EC000437
ETIM 5.0	EC000437

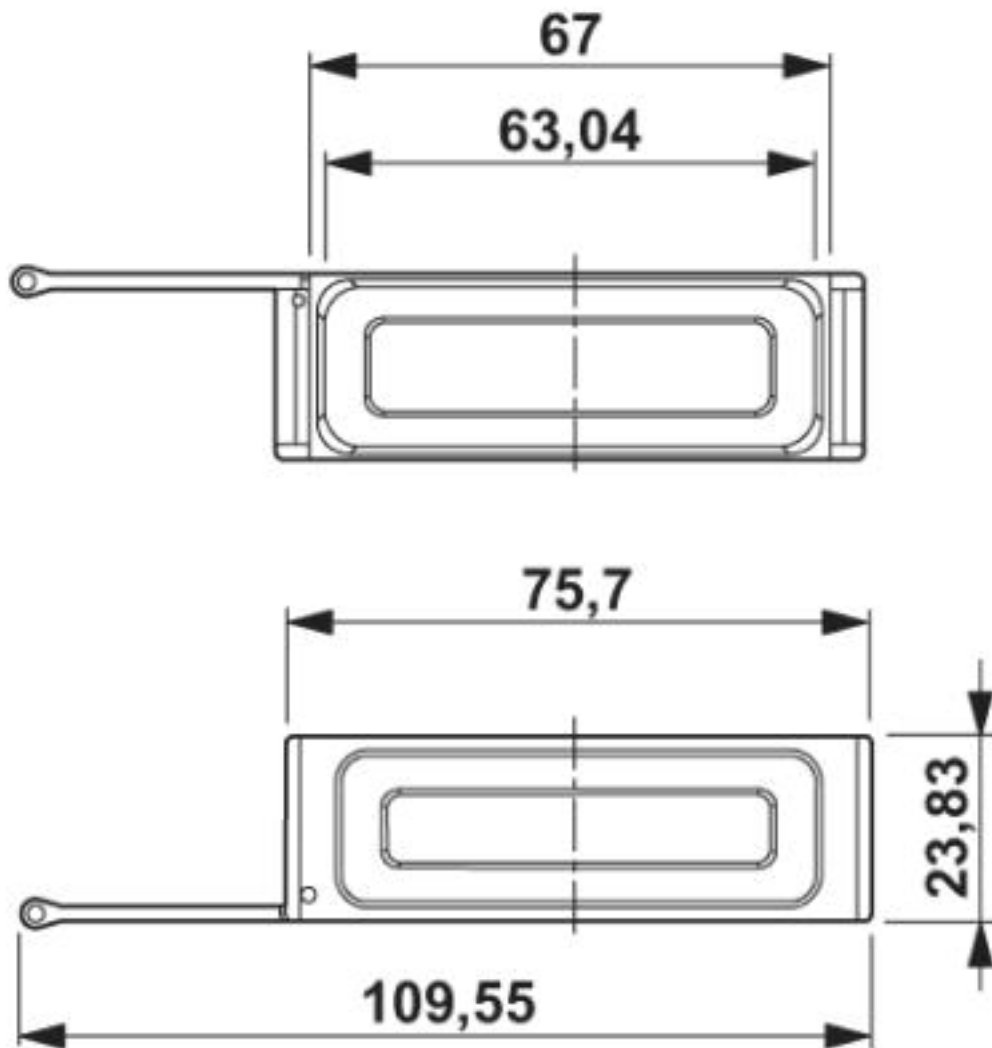
UNSPSC

UNSPSC 6.01	31261501
UNSPSC 7.0901	31261501
UNSPSC 11	31261501
UNSPSC 12.01	31261501
UNSPSC 13.2	31261501

Drawings

D-SUB protective cover - VS-25-SD - 1652211

Dimensioned drawing



Protective cover for D-SUB

© Phoenix Contact 2013 - all rights reserved
<http://www.phoenixcontact.com>