

## D-SUB power contact - VS-ST-SC-2,6 - 1655483

Please be informed that the data shown in this PDF Document is generated from our Online Catalog. Please find the complete data in the user's documentation. Our General Terms of Use for Downloads are valid (<http://download.phoenixcontact.com>)



Power contact, for D-SUB combination inserts, screw connection, pin, straight, rated current 20 A, gold-plated

### Key commercial data

<b>package_quantity</b>	30
<b>GTIN</b>	4046356029414

### Technical data

#### Mechanical characteristics

<b>Insertion/withdrawal cycles</b>	≥ 500
<b>Connection method</b>	Screw connection
<b>Conductor cross section</b>	0.75 mm <sup>2</sup> ... 2 mm <sup>2</sup>
<b>Connection cross section AWG</b>	18 ... 14
<b>Insertion force per signal contact</b>	≤ 7.00 N
<b>Extraction force per signal contact</b>	approx. 5 N

#### Ambient conditions

<b>Ambient temperature (operation)</b>	-55 °C ... 155 °C
--	-------------------

#### Material data

<b>Contact material</b>	Copper alloy
<b>Contact surface material</b>	Hard gold-plated over nickel

#### Electrical characteristics

<b>Rated current</b>	20 A
<b>Insulation resistance</b>	≥ 5 GΩ

### classifications

#### eCl@ss

<b>eCl@ss 4.0</b>	27140816
<b>eCl@ss 4.1</b>	27260701
<b>eCl@ss 5.0</b>	27260701
<b>eCl@ss 5.1</b>	27260701
<b>eCl@ss 6.0</b>	27261202
<b>eCl@ss 7.0</b>	27440204

# D-SUB power contact - VS-ST-SC-2,6 - 1655483

## classifications

### eCl@ss

eCl@ss 8.0	27440204
------------	----------

### ETIM

ETIM 2.0	EC000796
ETIM 3.0	EC000796
ETIM 4.0	EC000796
ETIM 5.0	EC000796

### UNSPSC

UNSPSC 6.01	30211923
UNSPSC 7.0901	39121522
UNSPSC 11	39121522
UNSPSC 12.01	39121522
UNSPSC 13.2	39121522

## accessories

### Assembly tool

HC-M4-KOAX-EWZ - 1676747

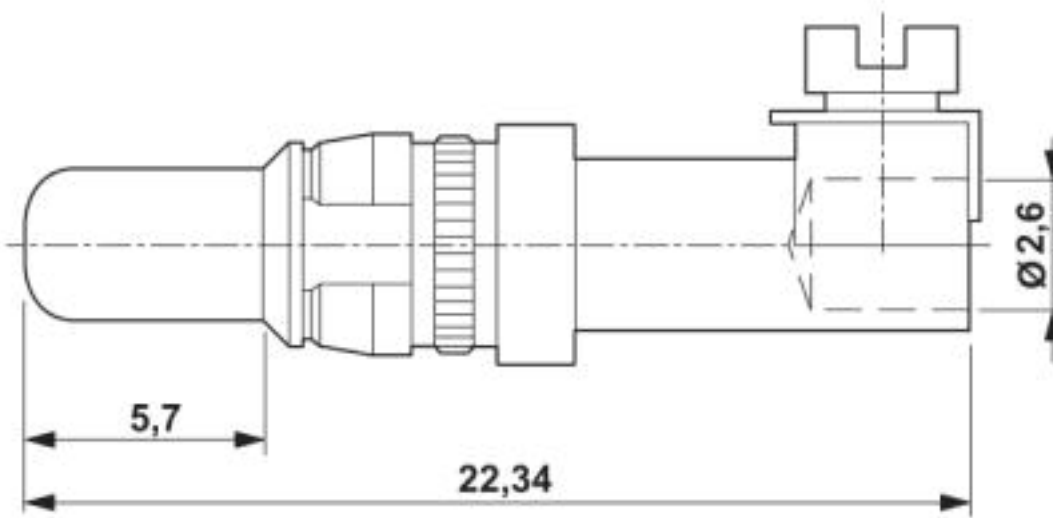


---

## Drawings

## D-SUB power contact - VS-ST-SC-2,6 - 1655483

Dimensioned drawing



D-SUB power contact pin

© Phoenix Contact 2013 - all rights reserved  
<http://www.phoenixcontact.com>