

Contact insert set - VC-TR1/2M-PEA-S22-SET - 1607143

Please be informed that the data shown in this PDF Document is generated from our Online Catalog. Please find the complete data in the user's documentation. Our General Terms of Use for Downloads are valid (<http://download.phoenixcontact.com>)

Contact insert set for sleeve side, sleeve frame with PE, 4 fixing screws, 2-pos. contact inserts preassembled, 6 coding profiles



Product Features

- Compact design
- Proven COMBICON technology
- Universal connection
- Can be keyed to prevent incorrect connection

Key commercial data

package_quantity	5
GTIN	4017918940928

Technical data

General

Connection method	Screw connection
Connection method	Screw connection
Tightening torque	0.5 Nm ... 0.6 Nm
Pollution degree	3
Surge voltage category	III
Number of positions	3+PE
Insertion/withdrawal cycles	≥ 100
Design	VC1
Conductor cross section solid min.	0.2 mm ²
Conductor cross section solid max.	2.5 mm ²
Conductor cross section stranded min.	0.2 mm ²
Conductor cross section stranded max.	1.5 mm ²
Conductor cross section	0.2 mm ² ... 4 mm ²
Connection cross section AWG	24 ... 12

Ambient conditions

Ambient temperature (operation)	-40 °C ... 100 °C
--	-------------------

Material data

Inflammability class according to UL 94	V0
Contact material	CuZn

Contact insert set - VC-TR1/2M-PEA-S22-SET - 1607143

Technical data

Material data

Contact surface material	Tin-plated
Contact carrier material	PA

Electrical characteristics

Rated voltage (III/3)	400 V
Nominal voltage U_N	400 V
Rated surge voltage	6 kV
Rated surge voltage	6 kV
Rated current	20 A
Rated current	20 A
Nominal current I_N	20 A

classifications

eCl@ss

eCl@ss 4.0	27140816
eCl@ss 4.1	27140816
eCl@ss 5.0	27260701
eCl@ss 5.1	27260701
eCl@ss 6.0	27260705
eCl@ss 7.0	27440309
eCl@ss 8.0	27440309

ETIM

ETIM 2.0	EC001121
ETIM 3.0	EC001121
ETIM 4.0	EC001121
ETIM 5.0	EC002641

UNSPSC

UNSPSC 6.01	30211923
UNSPSC 7.0901	39121522
UNSPSC 11	39121522
UNSPSC 12.01	39121522
UNSPSC 13.2	39121522

approvals

GOST / GOST /

Approval details

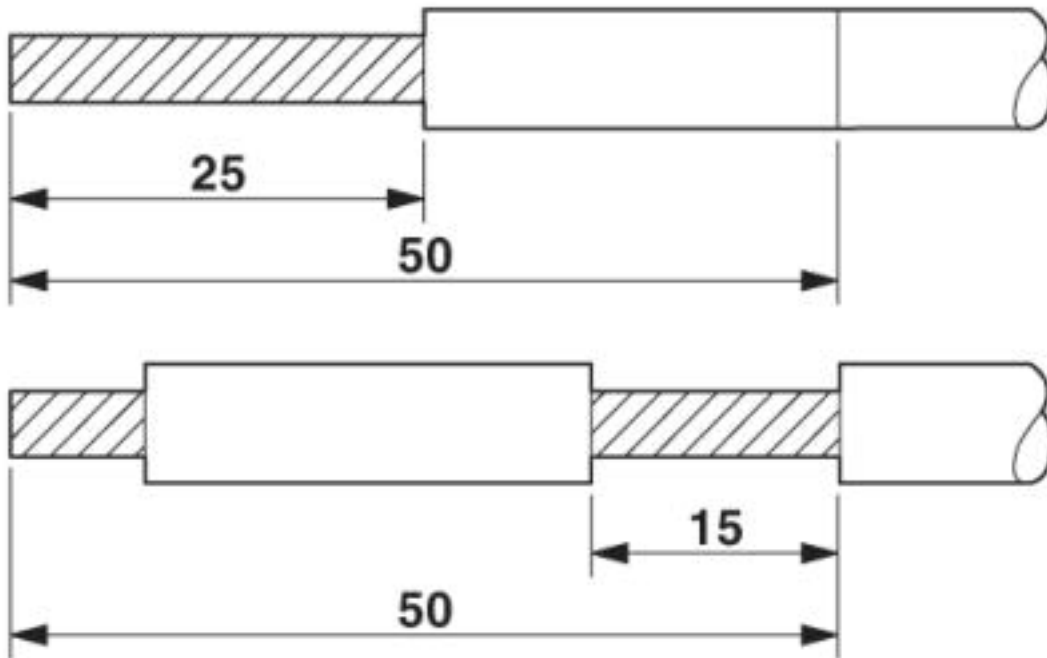
Contact insert set - VC-TR1/2M-PEA-S22-SET - 1607143

approvals



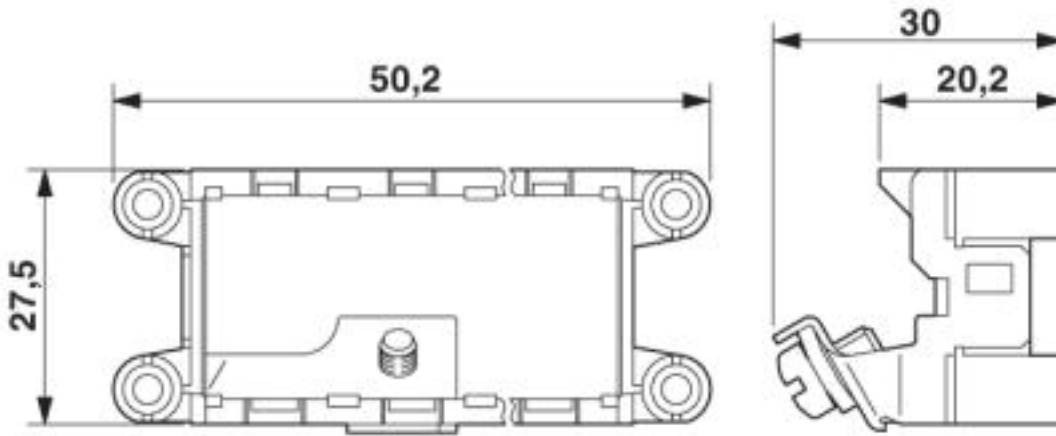
Drawings

Functional drawing



Contact insert set - VC-TR1/2M-PEA-S22-SET - 1607143

Dimensioned drawing



© Phoenix Contact 2013 - all rights reserved
<http://www.phoenixcontact.com>