

Conductor - VS-M12FSBPS-IP20-93B/0,5 - 1404367

Please be informed that the data shown in this PDF Document is generated from our Online Catalog. Please find the complete data in the user's documentation. Our General Terms of Use for Downloads are valid (<http://download.phoenixcontact.com>)



Assembled PROFINET cable, type B, CAT5e, shielded, star quad, AWG 22 stranded (7-wire), RAL 6018 (yellow-green), panel feed-through, M12, 4 pos., D-coded on RJ45 connector, length: 0.5 m



Key commercial data

package_quantity	1
GTIN	4046356692366

Technical data

Mechanical characteristics

Number of positions	4
Shielded	Yes
Insertion/withdrawal cycles	≥ 100
Cable diameter	6.50 mm
Cable structure	1x4xAWG22/7; SF-UTP
Length of cable	0.5 m

Ambient conditions

Ambient temperature (operation)	-40 °C ... 70 °C (cable, fixed installation)
Ambient temperature (operation)	-5 °C ... 50 °C (cable, flexible installation)
Ambient temperature (operation)	(Plug / socket)
Degree of protection	IP20

Material data

Housing material	CuZn/PA
Outer sheath, material	PVC
External sheath, color	green-yellow RAL 6018

Electrical characteristics

Rated voltage (III/3)	50 V
Transmission characteristics (category)	CAT5 (IEC 11801:2002), CAT5e (TIA 568B:2001)

Line characteristics

Cable type	PROFINET PVC stranded CAT5e
UL AWM style	21694

Conductor - VS-M12FSBPS-IP20-93B/0,5 - 1404367

Technical data

Line characteristics

Cable structure	1x4xAWG22/7; SF/TQ
Conductor cross section	4x 0.34 mm ²
AWG signal line	22
Conductor structure signal line	7x 0.25 mm
Core diameter including insulation	approx. 1.5 mm
External cable diameter	6.5 mm ± 0.2 mm
Wire colors	White, yellow, blue, orange
External sheath, color	Green RAL 6018
Transmission medium	Copper
Insulation resistance	≥ 500 MΩ*km
Conductor resistance	≤ 120 Ω/km
Transmission characteristics (category)	CAT5 (IEC 11801:2002), CAT5e (TIA 568B:2001)
Working capacitance	52 pF
Wave impedance	100 Ω ± 15 Ω (At 100 MHz)
Signal runtime	5.3 ns/m
Coupling resistance	≤ 20.00 mΩ/m
Nominal voltage, cable	600 V
Test voltage Core/Core	2000 V (50 Hz, 1 min.)
Test voltage Core/Shield	2000 V (50 Hz, 1 min.)
Overall twist	Star quad
Shielding	Aluminum-coated foil, tinned copper braided shield
Optical shield covering	85 %
Outer sheath, material	PVC
Material, inner sheath	PVC
Material conductor insulation	PE
Conductor material	Tin-plated Cu litz wires
Cable weight	67 kg/km
Minimum bending radius, fixed installation	3 x D
Minimum bending radius, flexible installation	7 x D
Torsion force	± 180 °/m (30,000 torsion cycles)
Flame resistance	According to UL 1685 (CSA FT 4)
Resistance to oil	Resistant to oil to a limited extent
Other resistance	UV resistant According to UL 1581, Section 1200
Ambient temperature (operation)	-40 °C ... 70 °C (cable, fixed installation)
Ambient temperature (operation)	-40 °C ... 70 °C (cable, flexible installation)

classifications

eCl@ss

eCl@ss 4.0	272607xx
eCl@ss 4.1	27260701

Conductor - VS-M12FSBPS-IP20-93B/0,5 - 1404367

classifications

eCl@ss

eCl@ss 5.0	27260701
eCl@ss 5.1	27060307
eCl@ss 6.0	27060390
eCl@ss 7.0	27060390
eCl@ss 8.0	27060390

ETIM

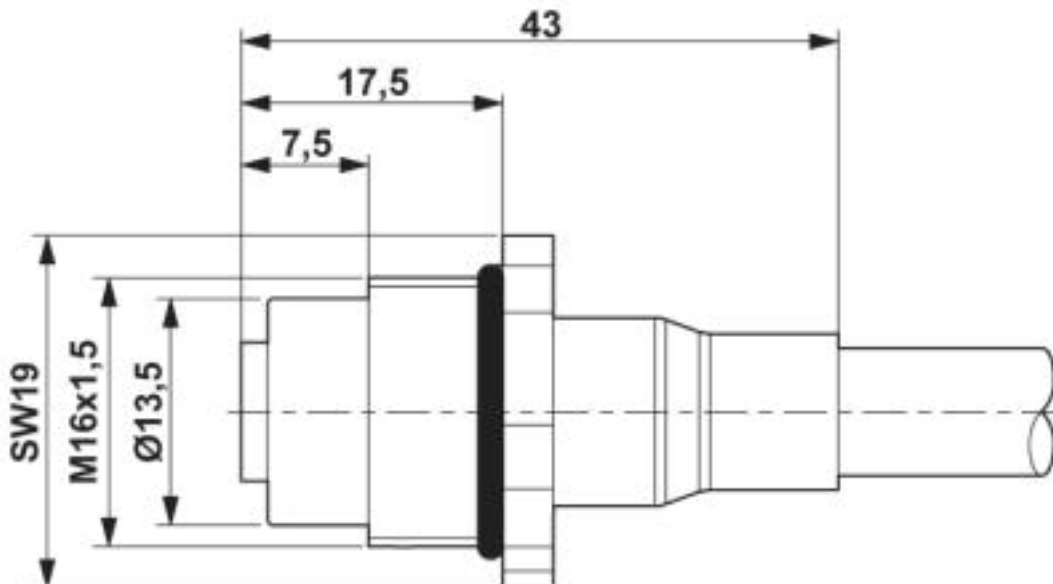
ETIM 3.0	EC000830
ETIM 4.0	EC002599
ETIM 5.0	EC000830

UNSPSC

UNSPSC 6.01	26121616
UNSPSC 7.0901	26121616
UNSPSC 11	26121604
UNSPSC 12.01	31261501
UNSPSC 13.2	26121616

Drawings

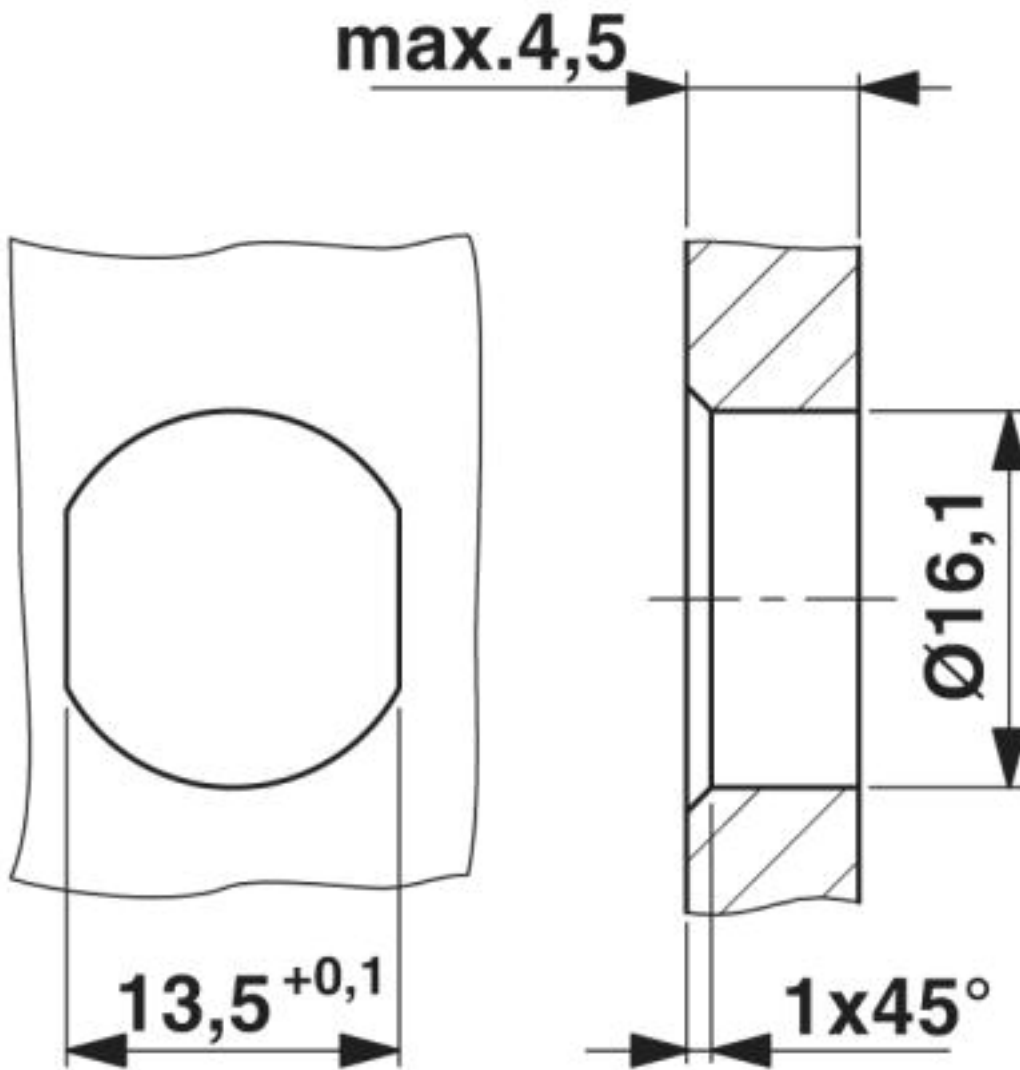
Dimensioned drawing



M12 flush-type connector

Conductor - VS-M12FSBPS-IP20-93B/0,5 - 1404367

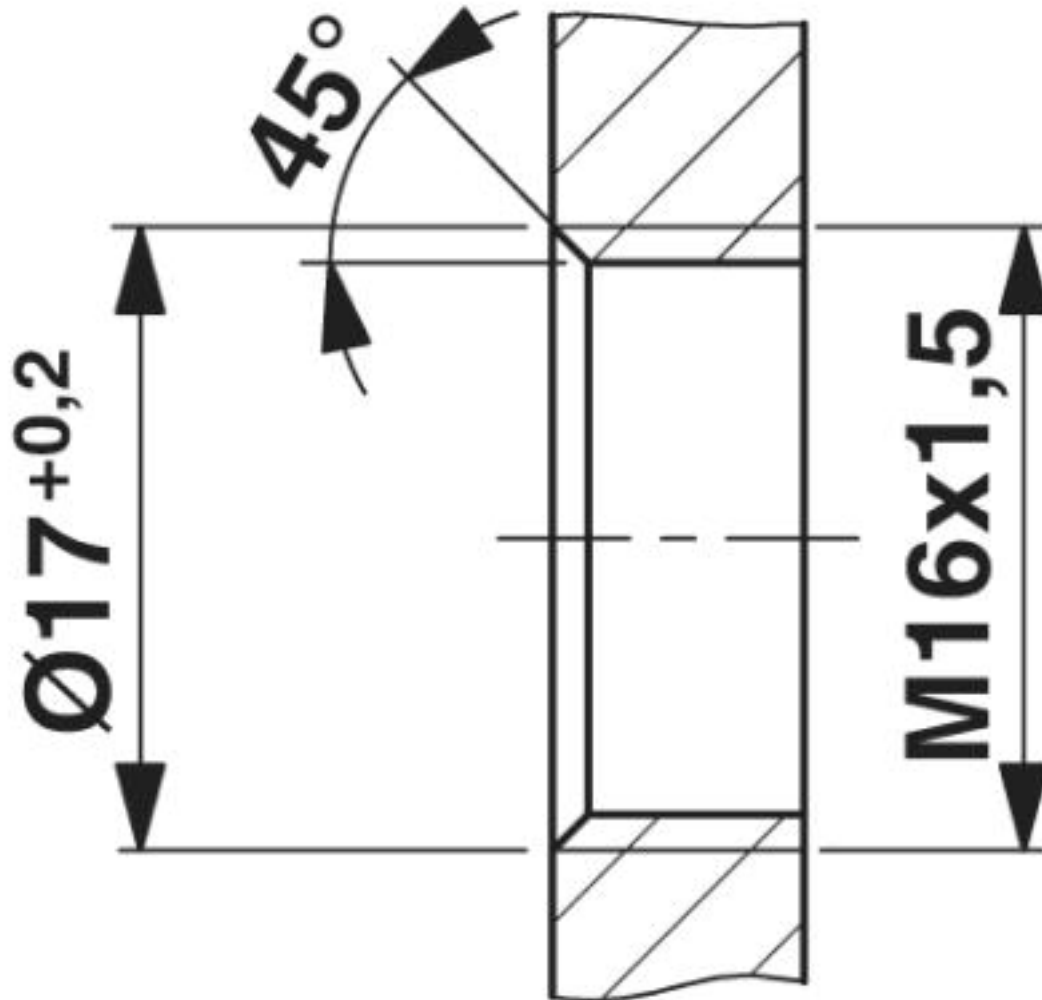
Dimensioned drawing



Mounting panel with feed-through hole

Conductor - VS-M12FSBPS-IP20-93B/0,5 - 1404367

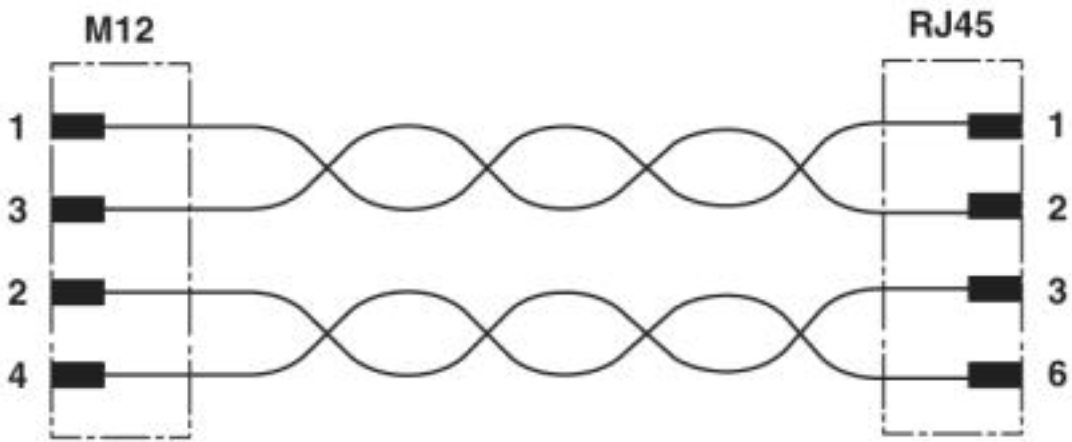
Dimensioned drawing



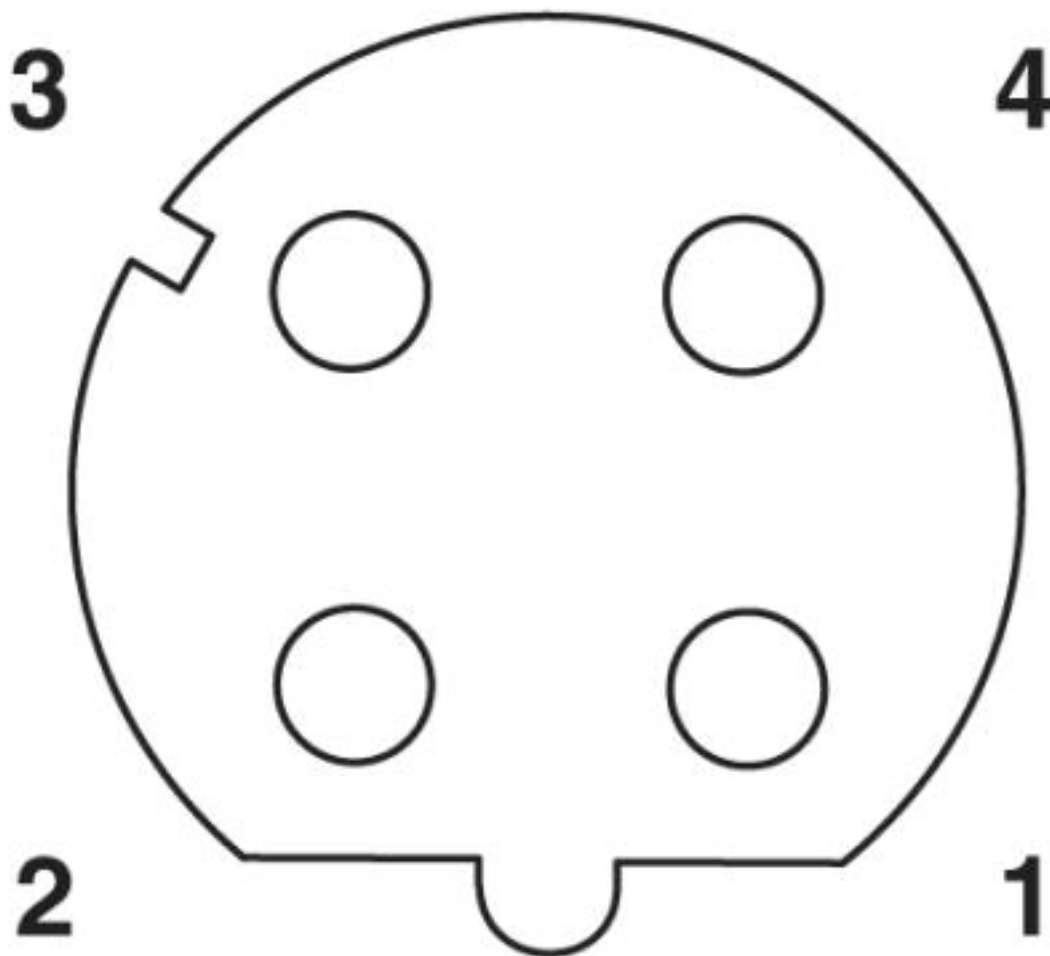
Mounting panel with thread

Conductor - VS-M12FSBPS-IP20-93B/0,5 - 1404367

Circuit diagram



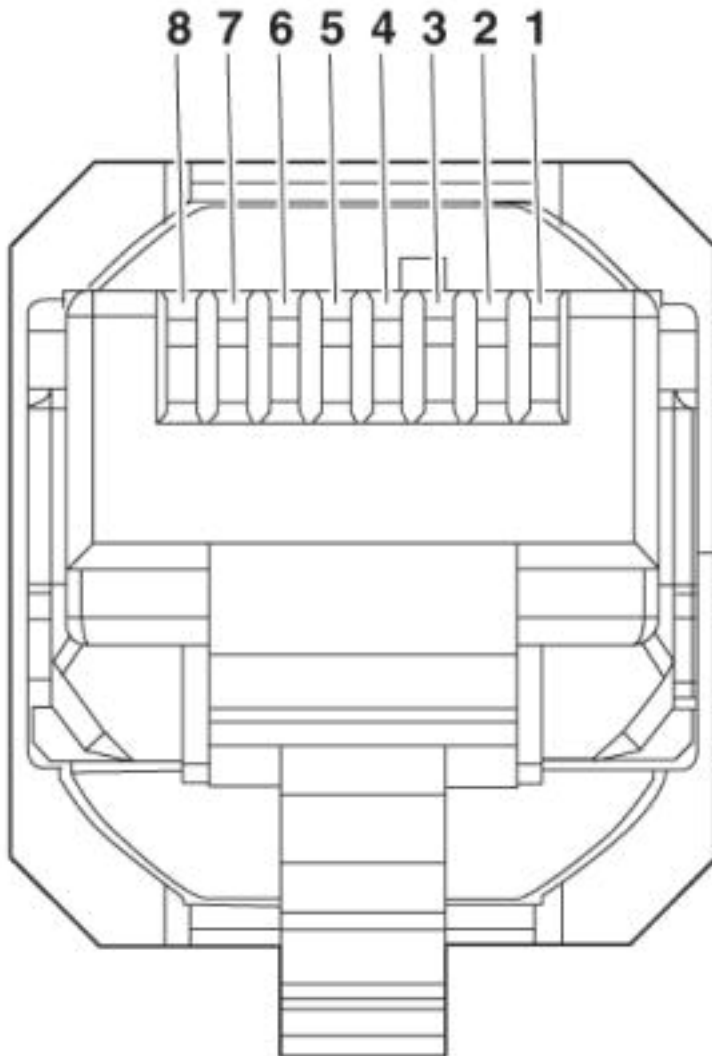
Schematic diagram



Pin assignment M12 socket, 4-pos., D-coded, female side

Conductor - VS-M12FSBPS-IP20-93B/0,5 - 1404367

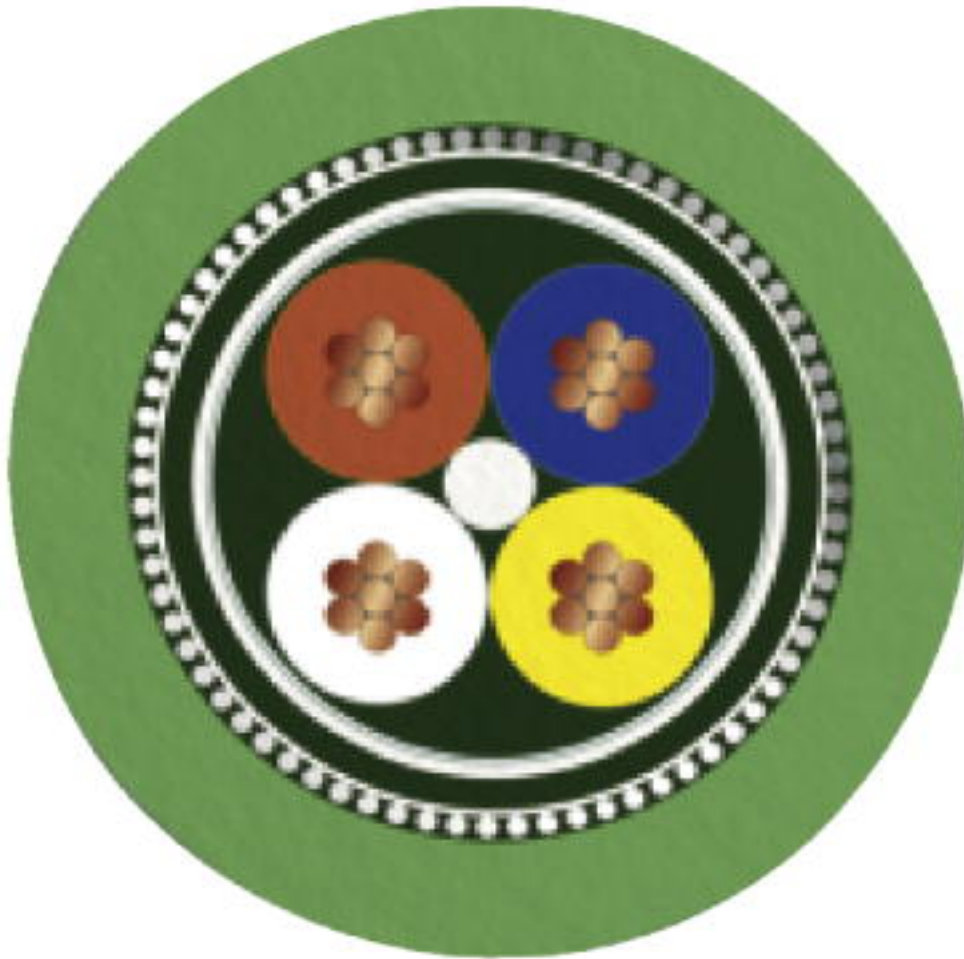
Schematic diagram



Connector pin assignment plug RJ45

Conductor - VS-M12FSBPS-IP20-93B/0,5 - 1404367

Cable cross section



PROFINET [93B]

© Phoenix Contact 2013 - all rights reserved
<http://www.phoenixcontact.com>