

# Interface module - UM 45-DI/DO/S/LA/SIM8 - 2968205

Please be informed that the data shown in this PDF Document is generated from our Online Catalog. Please find the complete data in the user's documentation. Our General Terms of Use for Downloads are valid (<http://download.phoenixcontact.com>)



VARIOFACE switch module, with flat-ribbon cable and COMBICON connector, for simulation, for 8 signals, for mounting on NS 35/7.5



## Key commercial data

package_quantity	1
GTIN	4017918173685

## Technical data

### Dimensions

Width	75 mm
Height	45 mm
Depth	51 mm

### Ambient conditions

Ambient temperature (operation)	-20 °C ... 50 °C
Ambient temperature (storage/transport)	-20 °C ... 70 °C

### General

Nominal voltage $U_N$	24 V DC
Max. current carrying capacity per branch	1 A
Max. total current of all branches	3 A (FLK connector)
Max. total current of voltage supply	8 A (+, - terminal block)
Max. total current of voltage supply	3 A (+, - FLK)
Test voltage	500 V (50 Hz, 1 min.)
Test voltage contact/contact	0.5 kV AC
Mounting position	Any
Standards/regulations	IEC 60664
Standards/regulations	DIN EN 50178
Standards/regulations	IEC 62103
Pollution degree	2
Surge voltage category	II
Rated surge voltage	0.8 kV

# Interface module - UM 45-DI/DO/S/LA/SIM8 - 2968205

## Technical data

### Connection data for connection 1

<b>Connection name</b>	COMBICON connection
<b>Connection method</b>	Pluggable screw connection
<b>Conductor cross section solid min.</b>	0.14 mm <sup>2</sup>
<b>Conductor cross section solid max.</b>	1.5 mm <sup>2</sup>
<b>Conductor cross section stranded min.</b>	0.14 mm <sup>2</sup>
<b>Conductor cross section stranded max.</b>	1.5 mm <sup>2</sup>
<b>Conductor cross section AWG/kcmil min.</b>	28
<b>Conductor cross section AWG/kcmil max</b>	16
<b>Stripping length</b>	8 mm
<b>Screw thread</b>	M3

### Connection data for connection 2

<b>Connection name</b>	Flat-ribbon cable connection
<b>Number of connections</b>	1
<b>Connection method</b>	IDC/FLK pin strip (2.54 mm)
<b>Number of positions</b>	14

### Supported controller

<b>Control</b>	SIEMENS S7-400
- suitable I/O card	6ES7 421-1BL01-0AA0
- suitable I/O card	6ES7 422-1BL00-0AA0
- suitable I/O card	6ES7 422-7BL00-0AB0
<b>Control</b>	GE-FANUC 90-30
- suitable I/O card	IC693 MDL241
- suitable I/O card	IC693 MDL634
- suitable I/O card	IC693 MDL645
- suitable I/O card	IC693 MDL646
- suitable I/O card	IC693 MDL732
- suitable I/O card	IC693 MDL740
- suitable I/O card	IC693 MDL742
<b>Control</b>	ALLEN-BRADLEY ControlLogix
- suitable I/O card	1756-IB32
- suitable I/O card	1756-IB16
- suitable I/O card	1756-OB32
- suitable I/O card	1756-OB16E
<b>Control</b>	ALLEN-BRADLEY PLC 5
- suitable I/O card	1771 IBN
- suitable I/O card	1771 OBN
<b>Control</b>	ALLEN-BRADLEY SLC 500
- suitable I/O card	1746 IB16
- suitable I/O card	1746 ITB16
- suitable I/O card	1746 IN16

## Interface module - UM 45-DI/DO/S/LA/SIM8 - 2968205

### Technical data

#### Supported controller

- suitable I/O card	1746 IB 32
- suitable I/O card	1746 OB16
- suitable I/O card	1746 OB 32
<b>Control</b>	HONEYWELL PlantScape
- suitable I/O card	TC-IDD 321
- suitable I/O card	TC-ODD 321
<b>Control</b>	MITSUBISHI MELSEC Q
- suitable I/O card	QX81
- suitable I/O card	QY81P
<b>Control</b>	SIEMENS S7-300 / ET 200 M
- suitable I/O card	CPU 313C-2DP
- suitable I/O card	CPU 314C-2DP
- suitable I/O card	CPU 314C-2PtP
- suitable I/O card	6ES7 321-1BH02-0AA0
- suitable I/O card	6ES7 321-1BL00-0AA0
- suitable I/O card	6ES7 323-1BH01-0AA0
- suitable I/O card	6ES7 323-1BL00-0AA0
- suitable I/O card	6ES7 321-1BH10-0AA0
- suitable I/O card	CPU 313C
- suitable I/O card	CPU 313C-2PtP
- suitable I/O card	6ES7 322-1BH01-0AA0
- suitable I/O card	6ES7 322-1BL00-0AA0
- suitable I/O card	6ES7 323-1BH01-0AA0
- suitable I/O card	6ES7 323-1BL00-0AA0
<b>Control</b>	Schneider Electric MODICON TSX QUANTUM
- suitable I/O card	DDI 353
- suitable I/O card	DDI 853
<b>Control</b>	ALLEN-BRADLEY ControlLogix
- suitable I/O card	DI810
- suitable I/O card	DI830
- suitable I/O card	DI840
<b>Control</b>	Emerson DeltaV
- suitable I/O card	VE4001S2T2B3
- suitable I/O card	VE4002S1T1B3
- suitable I/O card	VE4002S1T2B3
- suitable I/O card	VE4002S1T2B3 Series 2
- suitable I/O card	VE4002S1T2B6
<b>Control</b>	GE-FANUC RX3i
- suitable I/O card	IC694MDL660
- suitable I/O card	IC694MDL754
<b>Control</b>	YOKOGAWA CENTUM CS3000R3

## Interface module - UM 45-DI/DO/S/LA/SIM8 - 2968205

### Technical data

#### Supported controller

- suitable I/O card	ADV151
- suitable I/O card	ADV161
Control	YOKOGAWA STARDOM
- suitable I/O card	NFDV151
- suitable I/O card	NFDV161
Control	ABB S800 I/O
- suitable I/O card	DO810
- suitable I/O card	DO840

### classifications

#### eCl@ss

eCl@ss 4.0	27250313
eCl@ss 4.1	27250313
eCl@ss 5.0	27250313
eCl@ss 5.1	27250313
eCl@ss 6.0	27242608
eCl@ss 7.0	27141152
eCl@ss 8.0	27141152

#### ETIM

ETIM 2.0	EC001434
ETIM 3.0	EC001604
ETIM 4.0	EC001604
ETIM 5.0	EC002780

#### UNSPSC

UNSPSC 6.01	30211824
UNSPSC 7.0901	39121421
UNSPSC 11	39121421
UNSPSC 12.01	39121421
UNSPSC 13.2	39121421

### approvals

GOST /

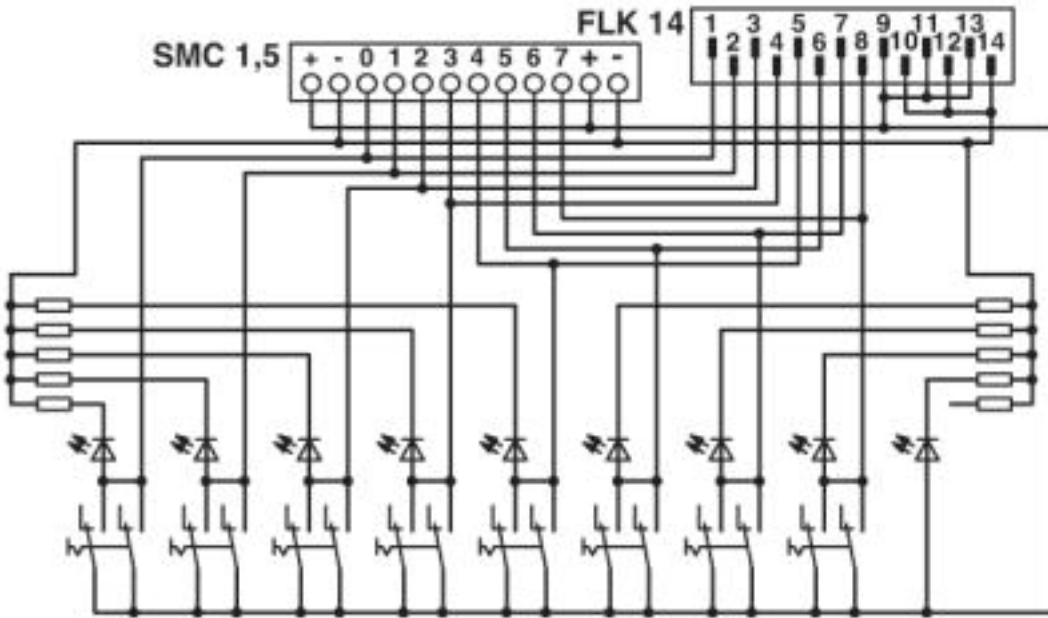
#### Approval details



# Interface module - UM 45-DI/DO/S/LA/SIM8 - 2968205

## Drawings

### Circuit diagram



Connection scheme UM 45-DI/DO/S/LA/SIM8

© Phoenix Contact 2013 - all rights reserved  
<http://www.phoenixcontact.com>