

D-SUB connector set - VS-25-SET-EMV - 1652208

Please be informed that the data shown in this PDF Document is generated from our Online Catalog. Please find the complete data in the user's documentation. Our General Terms of Use for Downloads are valid (<http://download.phoenixcontact.com>)



D-SUB connector set, shell size 3, IP67 protection, with shrouds

The illustration shows the version VS-09-SET-EMV

Key commercial data

package_quantity	1
GTIN	4017918917128

Technical data

Ambient conditions

Degree of protection	IP67
Ambient temperature (operation)	-40 °C ... 80 °C

General

Design	D-SUB 25
Degree of protection	IP67
Inflammability class according to UL 94	V0
Cable exit	Angled
Housing material	PA
Seal material	Flat gasket: NBR; profile gasket: EPDM
Ambient temperature (operation)	-40 °C ... 80 °C

classifications

eCl@ss

eCl@ss 4.0	27140816
eCl@ss 4.1	27260701
eCl@ss 5.0	27260701
eCl@ss 5.1	27260701
eCl@ss 6.0	27260705
eCl@ss 7.0	27440309
eCl@ss 8.0	27440309

ETIM

ETIM 2.0	EC001121
-----------------	----------

D-SUB connector set - VS-25-SET-EMV - 1652208

classifications

ETIM

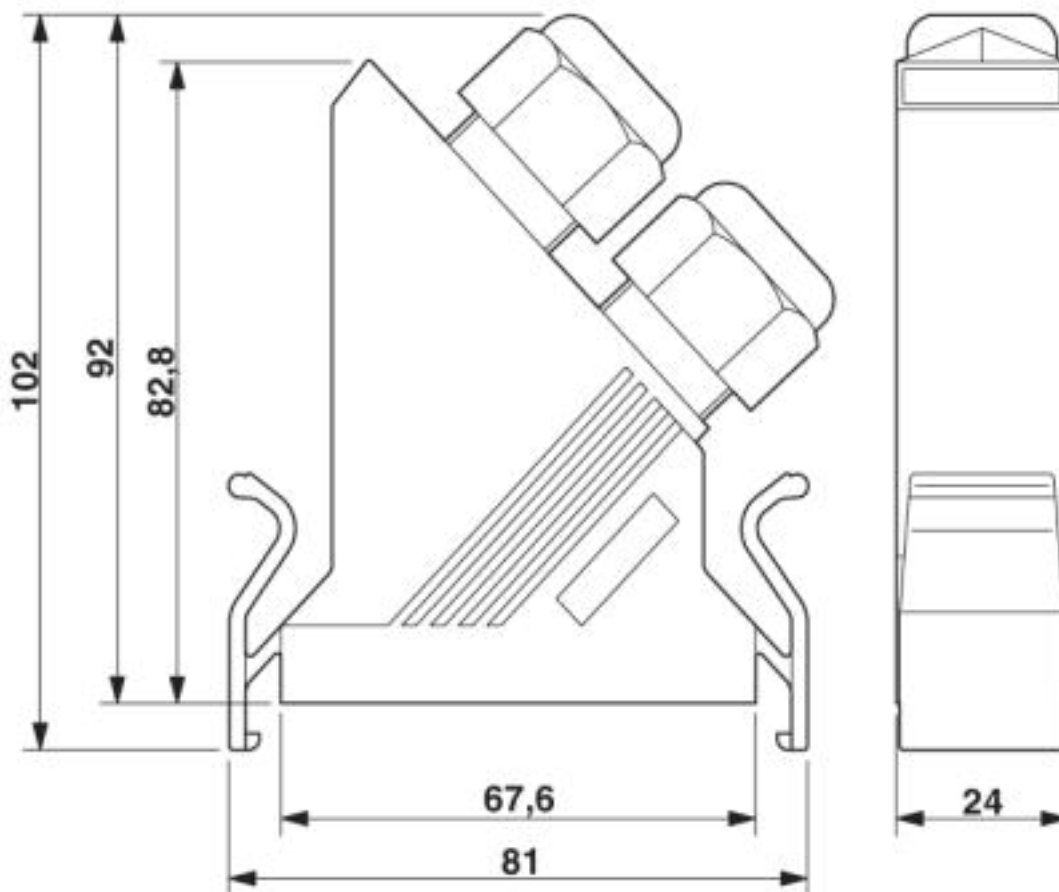
ETIM 3.0	EC001132
ETIM 4.0	EC002641
ETIM 5.0	EC002641

UNSPSC

UNSPSC 6.01	31261501
UNSPSC 7.0901	31261501
UNSPSC 11	31261501
UNSPSC 12.01	31261501
UNSPSC 13.2	31261501

Drawings

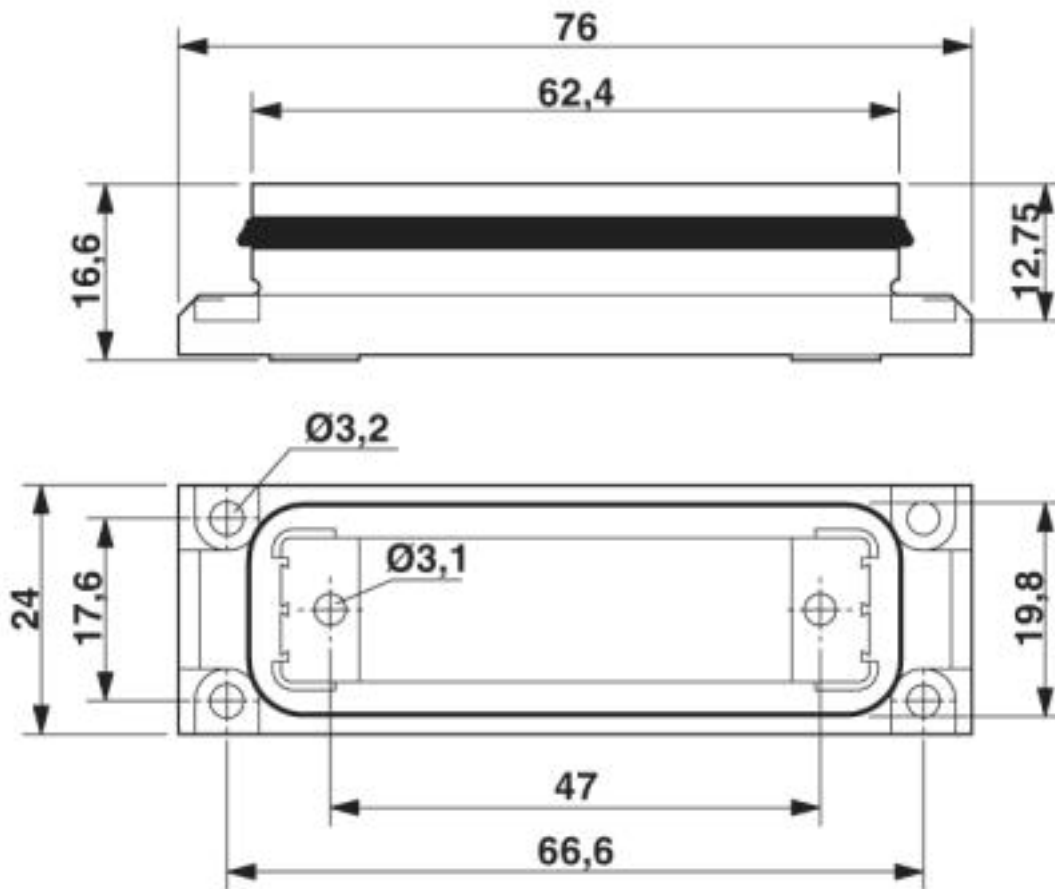
Dimensioned drawing



D-SUB sleeve housings

D-SUB connector set - VS-25-SET-EMV - 1652208

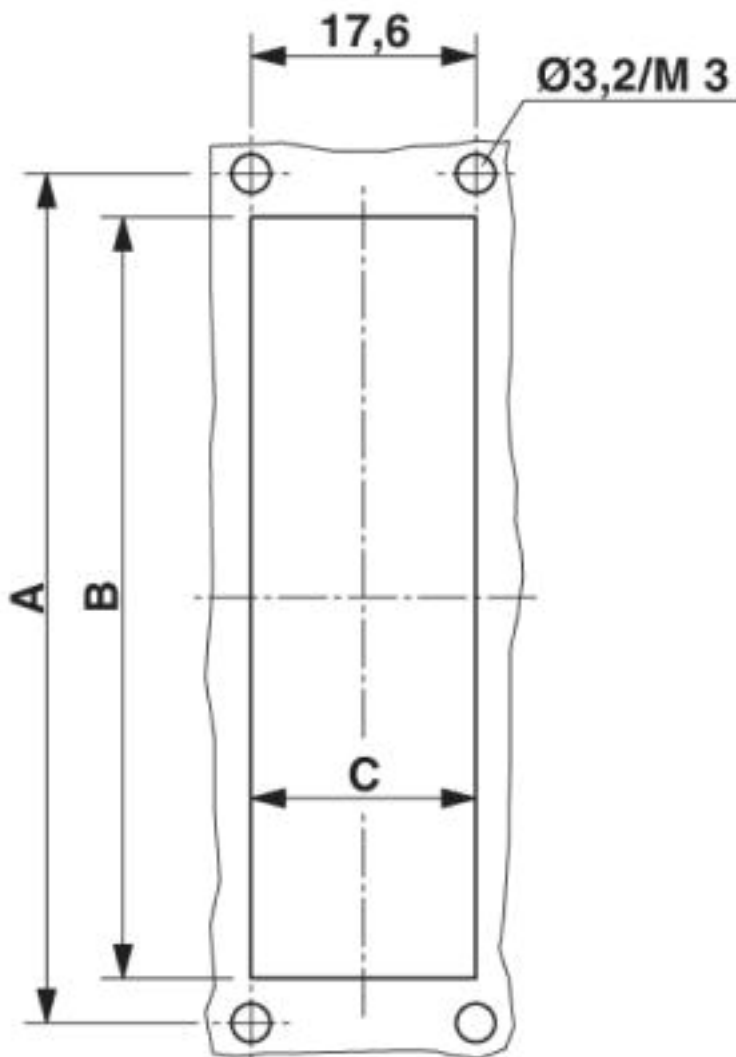
Dimensioned drawing



D-SUB panel mounting frame

D-SUB connector set - VS-25-SET-EMV - 1652208

Dimensioned drawing



Panel cutout

© Phoenix Contact 2013 - all rights reserved
<http://www.phoenixcontact.com>