

Interface module - VIP-3/SC/D50SUB/F/LED - 2322236

Please be informed that the data shown in this PDF Document is generated from our Online Catalog. Please find the complete data in the user's documentation. Our General Terms of Use for Downloads are valid (<http://download.phoenixcontact.com>)



VARIOFACE module, with screw connection and D-SUB miniature socket strip, for mounting on NS 35 rails, with LED, 50-pos.

The illustration shows a 37-position version with female insert

Product Features

- 9 to 50-pos.
- Metal foot
- According to IEC 60603-13
- 1:1 connection
- Screw connection



Key commercial data

package_quantity	1
GTIN	4046356451758

Technical data

Dimensions

Width	98.2 mm
Height	69 mm
Depth	62 mm

Ambient conditions

Ambient temperature (operation)	-20 °C ... 45 °C
Ambient temperature (storage/transport)	-20 °C ... 70 °C

General

Nominal voltage U_N	24 V DC
Max. current carrying capacity per branch	0.5 A
Number of positions	50
Status display	LED
Mounting position	Any
Standards/regulations	IEC 60664
Standards/regulations	DIN EN 50178

Interface module - VIP-3/SC/D50SUB/F/LED - 2322236

Technical data

General

Standards/regulations	IEC 62103
Pollution degree	2
Surge voltage category	II

Connection data for connection 1

Connection name	PCB connection
Connection in acc. with standard	IEC / EN
Connection method	Screw connection
Conductor cross section solid min.	0.2 mm ²
Conductor cross section solid max.	4 mm ²
Conductor cross section stranded min.	0.2 mm ²
Conductor cross section stranded max.	2.5 mm ²
Conductor cross section AWG/kcmil min.	24
Conductor cross section AWG/kcmil max	12
Stripping length	8 mm
Screw thread	M3

Connection data for connection 2

Connection name	D-SUB connection
Number of connections	1
Connection method	D-SUB socket strip
Number of positions	50

classifications

eCl@ss

eCl@ss 4.0	27250313
eCl@ss 4.1	27250313
eCl@ss 5.0	27250313
eCl@ss 5.1	27250313
eCl@ss 6.0	27242608
eCl@ss 7.0	27242608
eCl@ss 8.0	27242608

ETIM

ETIM 2.0	EC001434
ETIM 3.0	EC001604
ETIM 4.0	EC001604
ETIM 5.0	EC001604

UNSPSC

UNSPSC 6.01	30211824
UNSPSC 7.0901	39121421
UNSPSC 11	39121421

Interface module - VIP-3/SC/D50SUB/F/LED - 2322236

classifications

UNSPSC

UNSPSC 12.01	39121421
UNSPSC 13.2	39121421

approvals

UL Recognized / cUL Recognized / UL Recognized / cUL Recognized / cULus Recognized /

Approval details

UL Recognized	
Nominal voltage UN	
Nominal current IN	1 A
mm ² /AWG/kcmil	30-12

cUL Recognized	
Nominal voltage UN	
Nominal current IN	1 A
mm ² /AWG/kcmil	30-12

Nominal voltage UN	
Nominal current IN	1 A
mm ² /AWG/kcmil	30-12

Nominal voltage UN	
Nominal current IN	1 A
mm ² /AWG/kcmil	30-12

Interface module - VIP-3/SC/D50SUB/F/LED - 2322236

approvals

cULus Recognized  US

accessories

System cable

CABLE-D50SUB/B/S/ 50/KONFEK/S - 2302269



CABLE-D50SUB/B/S/100/KONFEK/S - 2302272



CABLE-D50SUB/B/S/150/KONFEK/S - 2302285



CABLE-D50SUB/B/S/200/KONFEK/S - 2302298



CABLE-D50SUB/B/S/300/KONFEK/S - 2302308



Interface module - VIP-3/SC/D50SUB/F/LED - 2322236

accessories

CABLE-D50SUB/B/S/400/KONFEK/S - 2302311



CABLE-D50SUB/B/S/600/KONFEK/S - 2302324



CABLE D-SUB-S/.../.../... - 2302340



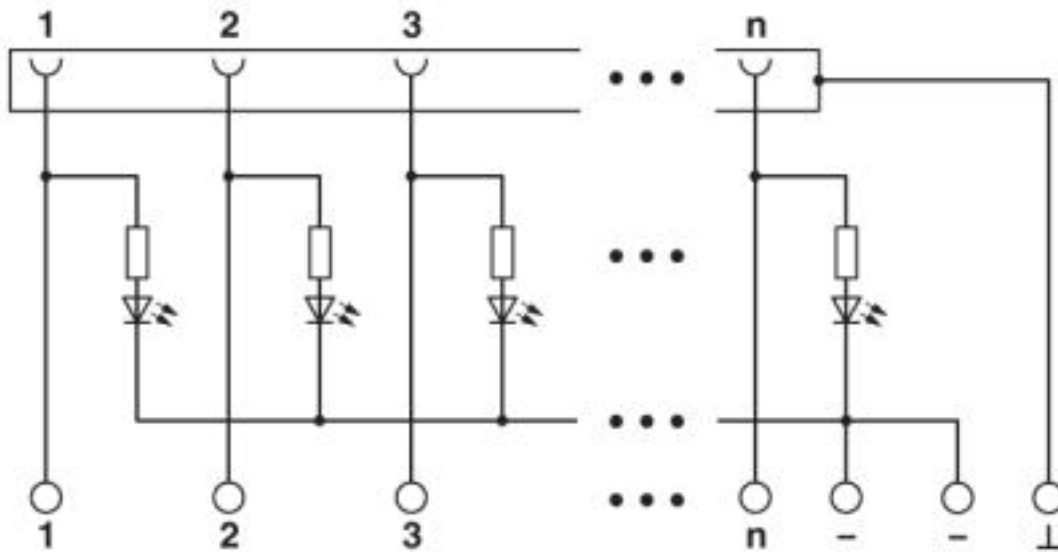
CABLE D-SUB-S-S-S/.../.../... - 2302434



Drawings

Interface module - VIP-3/SC/D50SUB/F/LED - 2322236

Circuit diagram



© Phoenix Contact 2013 - all rights reserved
<http://www.phoenixcontact.com>