

Passive module - UM 45-FLK14/ 8IM/ZFKDS/PLC - 2965211

Please be informed that the data shown in this PDF Document is generated from our Online Catalog. Please find the complete data in the user's documentation. Our General Terms of Use for Downloads are valid (<http://download.phoenixcontact.com>)



VARIOFACE COMPACT LINE, sensor module for the connection of 8 p-n-p sensors, for assembly on DIN rail NS 35/7.5, spring-cage connection

Product Features

- Can be used for digital I/O modules
- Byte-by-byte labeling
- Positive and negative connection per signal



Key commercial data

package_quantity	1
GTIN	4017918125196

Technical data

Dimensions

Width	75 mm
Height	45 mm
Depth	61 mm

Ambient conditions

Ambient temperature (operation)	-20 °C ... 50 °C
Ambient temperature (storage/transport)	-20 °C ... 70 °C

General

Nominal voltage U_N	60 V DC
Max. current carrying capacity per branch	1 A
Max. total current of voltage supply	3 A
Number of positions	14
Status display	No
Test voltage	500 V (50 Hz, 1 min.)
Mounting position	Any
Standards/regulations	IEC 60664
Standards/regulations	DIN EN 50178
Standards/regulations	IEC 62103

Passive module - UM 45-FLK14/ 8IM/ZFKDS/PLC - 2965211

Technical data

General

Pollution degree	2
Surge voltage category	II
Rated surge voltage	0.8 kV

Connection data for connection 1

Connection name	Field level
Connection method	Spring-cage connection
Conductor cross section solid min.	0.2 mm ²
Conductor cross section solid max.	2.5 mm ²
Conductor cross section stranded min.	0.2 mm ²
Conductor cross section stranded max.	1.5 mm ²
Conductor cross section AWG/kcmil min.	24
Conductor cross section AWG/kcmil max	14
Stripping length	8 mm

Connection data for connection 2

Connection name	Control system level
Number of connections	1
Connection method	IDC/FLK pin strip (2.54 mm)
Number of positions	14

Supported controller

Control	SIEMENS S7-400
- suitable I/O card	6ES7 421-1BL01-0AA0
- suitable I/O card	6ES7 422-1BL00-0AA0
- suitable I/O card	6ES7 422-7BL00-0AB0
Control	GE-FANUC 90-30
- suitable I/O card	IC693 MDL241
- suitable I/O card	IC693 MDL634
- suitable I/O card	IC693 MDL645
- suitable I/O card	IC693 MDL646
- suitable I/O card	IC693 MDL732
- suitable I/O card	IC693 MDL733
- suitable I/O card	IC693 MDL740
- suitable I/O card	IC693 MDL741
- suitable I/O card	IC693 MDL742
Control	ALLEN-BRADLEY ControlLogix
- suitable I/O card	1756-IB32
- suitable I/O card	1756-OB32
- suitable I/O card	1756-IB16
- suitable I/O card	1756-IC16
- suitable I/O card	1756-OB16E
Control	ALLEN-BRADLEY PLC 5

Passive module - UM 45-FLK14/ 8IM/ZFKDS/PLC - 2965211

Technical data

Supported controller

- suitable I/O card	1771 IBN
- suitable I/O card	1771 OBN
Control	ALLEN-BRADLEY SLC 500
- suitable I/O card	1746 OB16
- suitable I/O card	1746 OV16
- suitable I/O card	1746 OG16
- suitable I/O card	1746 IA16
- suitable I/O card	1746 ITB16
- suitable I/O card	1746 IN16
- suitable I/O card	1746 IV16
- suitable I/O card	1746 ITV16
- suitable I/O card	1746 IG16
- suitable I/O card	1746 OB 32
- suitable I/O card	1746 OV 32
- suitable I/O card	1746 IB 32
- suitable I/O card	1746 IV 32
- suitable I/O card	1746 IB16
Control	HONEYWELL PlantScape
- suitable I/O card	TC-IDD 321
- suitable I/O card	TC-ODD 321
Control	mitsubishi MELSEC Q
- suitable I/O card	QX81
- suitable I/O card	QY81P
- suitable I/O card	QX41
- suitable I/O card	QX41-S1
- suitable I/O card	QX42
- suitable I/O card	QX42-S1
- suitable I/O card	QX71
- suitable I/O card	QX72
- suitable I/O card	QY41P
- suitable I/O card	QY42P
- suitable I/O card	QY71
- suitable I/O card	QH42P
- suitable I/O card	QX82
- suitable I/O card	QX82-S1
Control	Schneider Electric MODICON TSX QUANTUM
- suitable I/O card	DDI 353
- suitable I/O card	DDI 853
- suitable I/O card	DAI 353
- suitable I/O card	DAI 453
- suitable I/O card	DDO 353

Passive module - UM 45-FLK14/ 8IM/ZFKDS/PLC - 2965211

Technical data

Supported controller

Control	SIEMENS S7-300 / ET 200 M
- suitable I/O card	CPU 313C-2DP
- suitable I/O card	CPU 314C-2DP
- suitable I/O card	CPU 314C-2PtP
- suitable I/O card	6ES7 321-1BH02-0AA0
- suitable I/O card	6ES7 321-1BL00-0AA0
- suitable I/O card	6ES7 322-1BH01-0AA0
- suitable I/O card	6ES7 322-1BL00-0AA0
- suitable I/O card	6ES7 323-1BH01-0AA0
- suitable I/O card	6ES7 323-1BL00-0AA0
- suitable I/O card	6ES7 321-1BH10-0AA0
- suitable I/O card	6ES7 322-1BH10-0AA0
- suitable I/O card	CPU 313C
- suitable I/O card	CPU 313C-2PtP
Control	ABB S800 I/O
- suitable I/O card	DI810
- suitable I/O card	DI811
- suitable I/O card	DI814
- suitable I/O card	DI830
- suitable I/O card	DI831
- suitable I/O card	DI840
- suitable I/O card	DO810
- suitable I/O card	DO814
- suitable I/O card	DO840
Control	GE-FANUC RX3i
- suitable I/O card	IC694MDL754
- suitable I/O card	IC694MDL660
Control	MITSUBISHI MELSEC L
- suitable I/O card	LX41C4
- suitable I/O card	LX42C4
- suitable I/O card	LY41NT1P
- suitable I/O card	LY42NT1P
- suitable I/O card	LY41PT1P
- suitable I/O card	LY42PT1P

classifications

eCl@ss

eCl@ss 4.0	27250313
eCl@ss 4.1	27250313
eCl@ss 5.0	27250313

Passive module - UM 45-FLK14/ 8IM/ZFKDS/PLC - 2965211

classifications

eCl@ss

eCl@ss 5.1	27250313
eCl@ss 6.0	27371601
eCl@ss 7.0	27371601
eCl@ss 8.0	27371601

ETIM

ETIM 2.0	EC001437
ETIM 3.0	EC001437
ETIM 4.0	EC001437
ETIM 5.0	EC001437

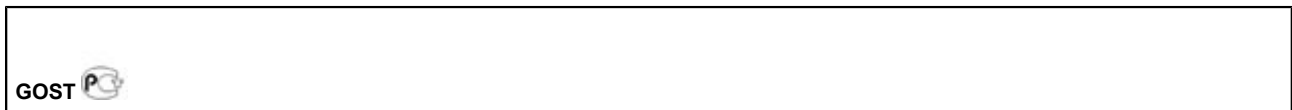
UNSPSC

UNSPSC 6.01	30211824
UNSPSC 7.0901	39121421
UNSPSC 11	39121421
UNSPSC 12.01	39121421
UNSPSC 13.2	39121421

approvals

GOST /

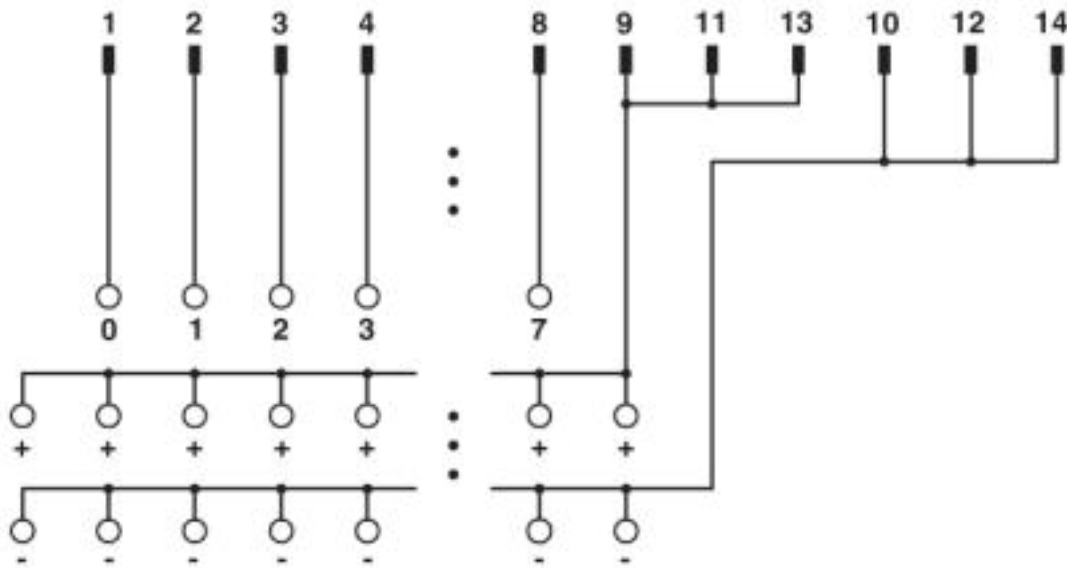
Approval details



Drawings

Passive module - UM 45-FLK14/ 8IM/ZFKDS/PLC - 2965211

Circuit diagram



UM 45-FLK14/8IM/ZFKDS/PLC connection scheme

© Phoenix Contact 2013 - all rights reserved
<http://www.phoenixcontact.com>