

Network cable - VS-IP20-IP20-94C/10 - 1404356

Please be informed that the data shown in this PDF Document is generated from our Online Catalog. Please find the complete data in the user's documentation. Our General Terms of Use for Downloads are valid (<http://download.phoenixcontact.com>)



Assembled Ethernet cable, shielded, 4-pair, 26 AWG suitable for use with drag chain (19-wire), RAL 5021 (water blue), RJ45 plug/IP20 to RJ45 plug/IP20, line, length: 10 m

Key commercial data

package_quantity	1
GTIN	4046356692298

Technical data

Mechanical characteristics

Number of positions	8
Number of slots	1
Shielded	Yes
Insertion/withdrawal cycles	≥ 750
Cable diameter	7.70 mm
Cable exit	Straight
Cable structure	4x2xAWG26/19; S-UTP
Length of cable	10 m

Ambient conditions

Ambient temperature (operation)	-20 °C ... 60 °C (cable, fixed installation)
Ambient temperature (operation)	0 °C ... 50 °C (cable, flexible installation)
Degree of protection	IP20

Material data

Inflammability class according to UL 94	V2
Outer sheath, material	PUR

classifications

eCl@ss

eCl@ss 4.0	272607xx
eCl@ss 4.1	27260701
eCl@ss 5.0	27260701
eCl@ss 5.1	27061801
eCl@ss 6.0	27060390

Network cable - VS-IP20-IP20-94C/10 - 1404356

classifications

eCl@ss

eCl@ss 7.0	27060390
eCl@ss 8.0	27060390

ETIM

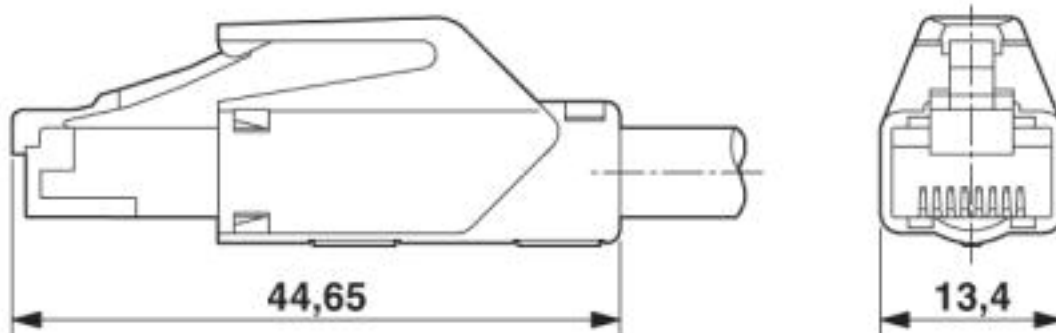
ETIM 3.0	EC000830
ETIM 4.0	EC002599
ETIM 5.0	EC000830

UNSPSC

UNSPSC 6.01	26121616
UNSPSC 7.0901	26121616
UNSPSC 11	26121604
UNSPSC 12.01	31261501
UNSPSC 13.2	26121616

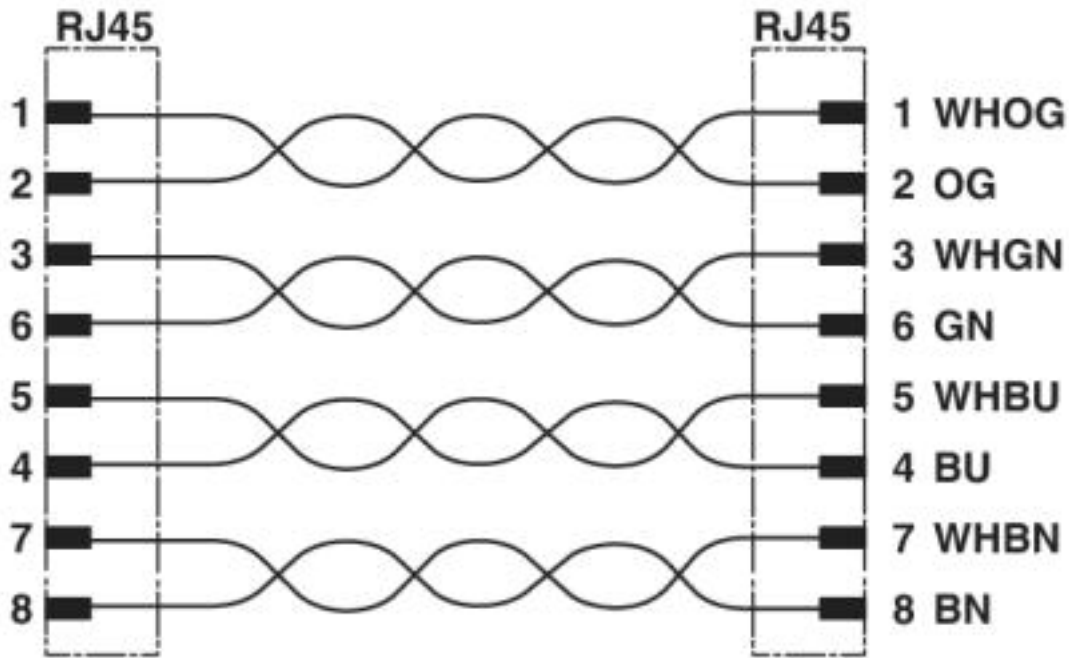
Drawings

Dimensioned drawing



Network cable - VS-IP20-IP20-94C/10 - 1404356

Circuit diagram



© Phoenix Contact 2013 - all rights reserved
<http://www.phoenixcontact.com>