

Interface module - DFLK-D15 SUB/B - 2280307

Please be informed that the data shown in this PDF Document is generated from our Online Catalog. Please find the complete data in the user's documentation. Our General Terms of Use for Downloads are valid (<http://download.phoenixcontact.com>)



The VARIOFACE feed-through module implements a 1:1 connection between screw connection terminal blocks and a D-SUB miniature socket strip (number of positions: 15). A separate ground tap is available.

Product Features

- 9 to 50-pos.
- 9 to 37-pos.: separate ground tap
- 50-pos.: no ground tap
- According to IEC 60807-2
- Screw connection
- 1:1 connection
- D-SUB 4-40 UNC thread

Key commercial data

package_quantity	5
GTIN	4017918054410

Technical data

Dimensions

Width	39 mm
Height	58.4 mm
Depth	33 mm

Ambient conditions

Ambient temperature (operation)	-20 °C ... 50 °C
Ambient temperature (storage/transport)	-20 °C ... 70 °C

General

Nominal voltage U_N	125 V AC/DC
Max. current carrying capacity per branch	2.5 A
Max. total current of all branches	37.5 A
Number of positions	15
Status display	No
Mounting position	Any
Assembly instructions	In rows with zero spacing
Standards/specifications	Air and creepage distances DIN EN 50178
Pollution degree	2

Interface module - DFLK-D15 SUB/B - 2280307

Technical data

General

Surge voltage category	II
Rated surge voltage	1.2 kV
Rated insulation voltage	125 V

Connection data for connection 1

Connection name	Field level
Connection in acc. with standard	IEC / EN
Connection method	Screw connection
Conductor cross section solid min.	0.2 mm ²
Conductor cross section solid max.	4 mm ²
Conductor cross section stranded min.	0.2 mm ²
Conductor cross section stranded max.	2.5 mm ²
Conductor cross section AWG/kcmil min.	24
Conductor cross section AWG/kcmil max	12
Stripping length	8 mm
Screw thread	M3

Connection data for connection 2

Connection name	Control system level
Connection method	D-SUB socket strip
Number of positions	15

classifications

eCl@ss

eCl@ss 4.0	27250313
eCl@ss 4.1	27250313
eCl@ss 5.0	27250313
eCl@ss 5.1	27250313
eCl@ss 6.0	27242608
eCl@ss 7.0	27141152
eCl@ss 8.0	27141152

ETIM

ETIM 2.0	EC001434
ETIM 3.0	EC001604
ETIM 4.0	EC001604
ETIM 5.0	EC002780

UNSPSC

UNSPSC 6.01	30211824
UNSPSC 7.0901	39121421
UNSPSC 11	39121421
UNSPSC 12.01	39121421

Interface module - DFLK-D15 SUB/B - 2280307

classifications

UNSPSC

UNSPSC 13.2	39121421
--------------------	----------

approvals

UL Recognized / cUL Recognized / GOST / cULus Recognized /

Approval details

UL Recognized	
Nominal voltage UN	125 V
Nominal current IN	2.5 A
mm ² /AWG/kcmil	30-12

cUL Recognized	
Nominal voltage UN	125 V
Nominal current IN	2.5 A
mm ² /AWG/kcmil	30-12

GOST

cULus Recognized

accessories

System cable

CABLE-D15SUB/B/S/ 50/KONFEK/S - 2302052



Interface module - DFLK-D15 SUB/B - 2280307

accessories

CABLE-D15SUB/B/S/100/KONFEK/S - 2302065



CABLE-D15SUB/B/S/150/KONFEK/S - 2302078



CABLE-D15SUB/B/S/200/KONFEK/S - 2302081



CABLE-D15SUB/B/S/300/KONFEK/S - 2302094



CABLE-D15SUB/B/S/400/KONFEK/S - 2302104



CABLE-D15SUB/B/S/600/KONFEK/S - 2302117



Interface module - DFLK-D15 SUB/B - 2280307

accessories

CABLE D-SUB-S/.../.../... - 2302340



CABLE D-SUB-S-S/.../.../... - 2302434



CABLE-D-15SUB/M/OE/0,25/S/0,5M - 2926438



CABLE-D-15SUB/M/OE/0,25/S/1,0M - 2926441



CABLE-D-15SUB/M/OE/0,25/S/1,5M - 2926454



Interface module - DFLK-D15 SUB/B - 2280307

accessories

CABLE-D-15SUB/M/OE/0,25/S/2,0M - 2926467



CABLE-D-15SUB/M/OE/0,25/S/3,0M - 2926470



CABLE-D-15SUB/M/OE/0,25/S/4,0M - 2926483



CABLE-D-15SUB/M/OE/0,25/S/6,0M - 2926496



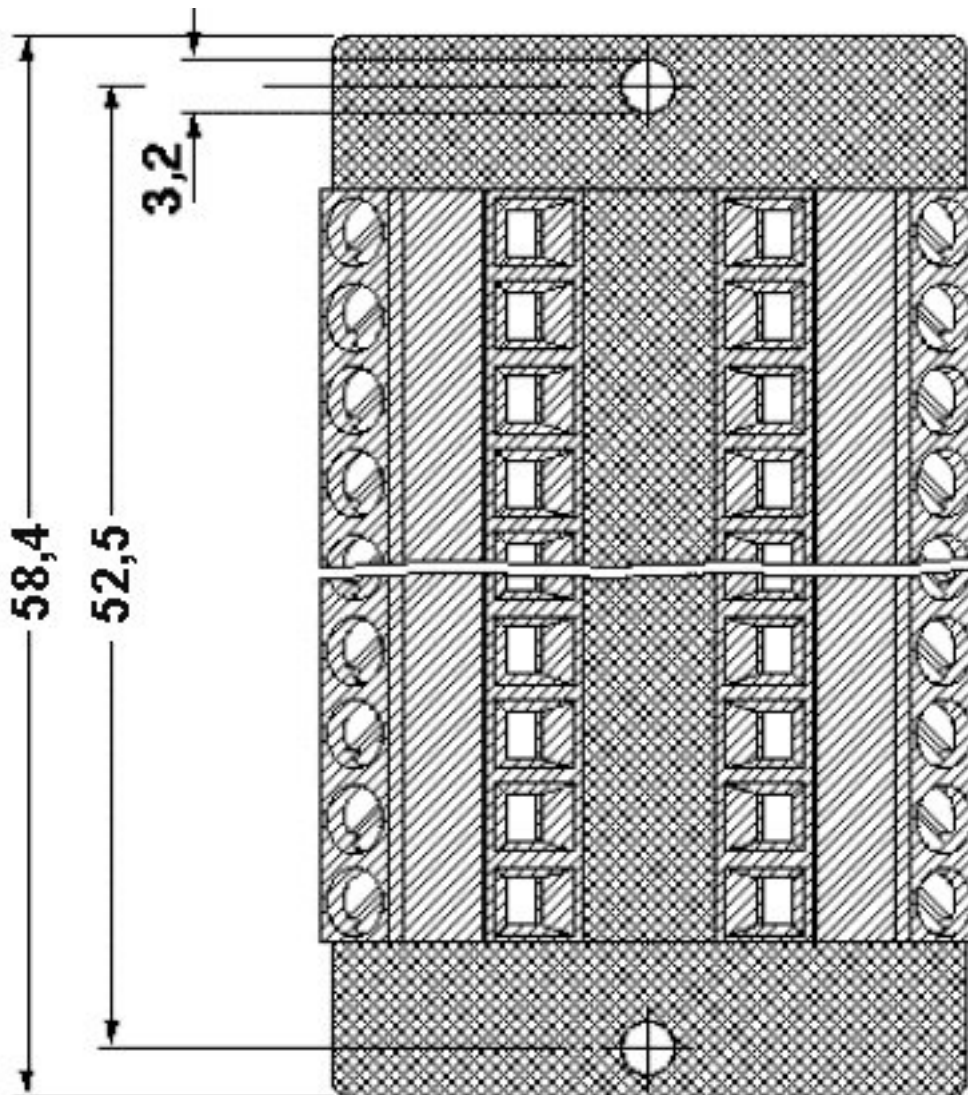
CABLE-D-15SUB-M-OE-0,25-S/... - 2900910



Drawings

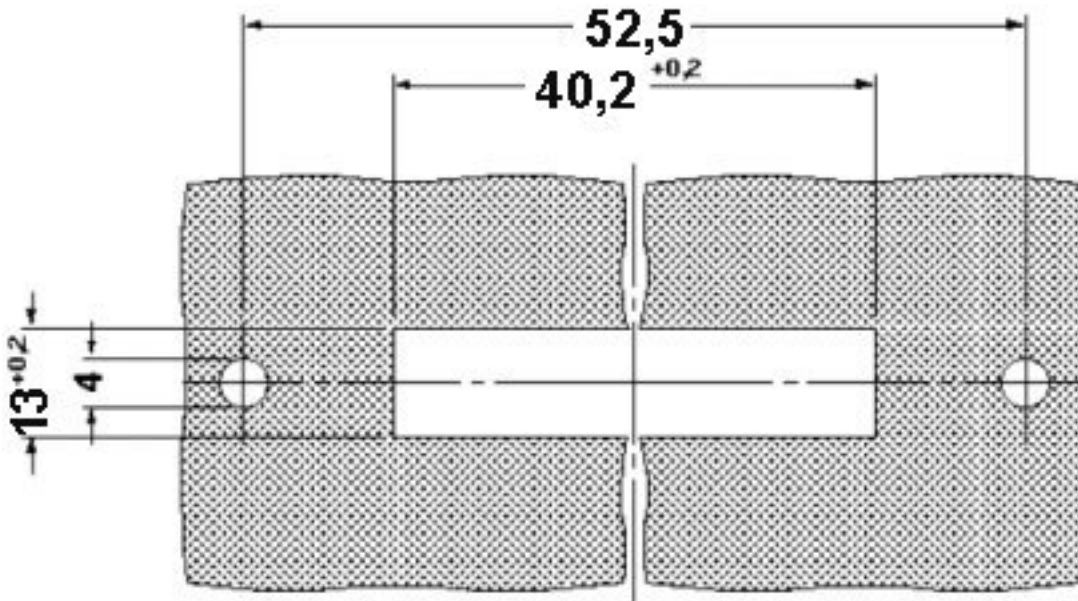
Interface module - DFLK-D15 SUB/B - 2280307

Dimensioned drawing



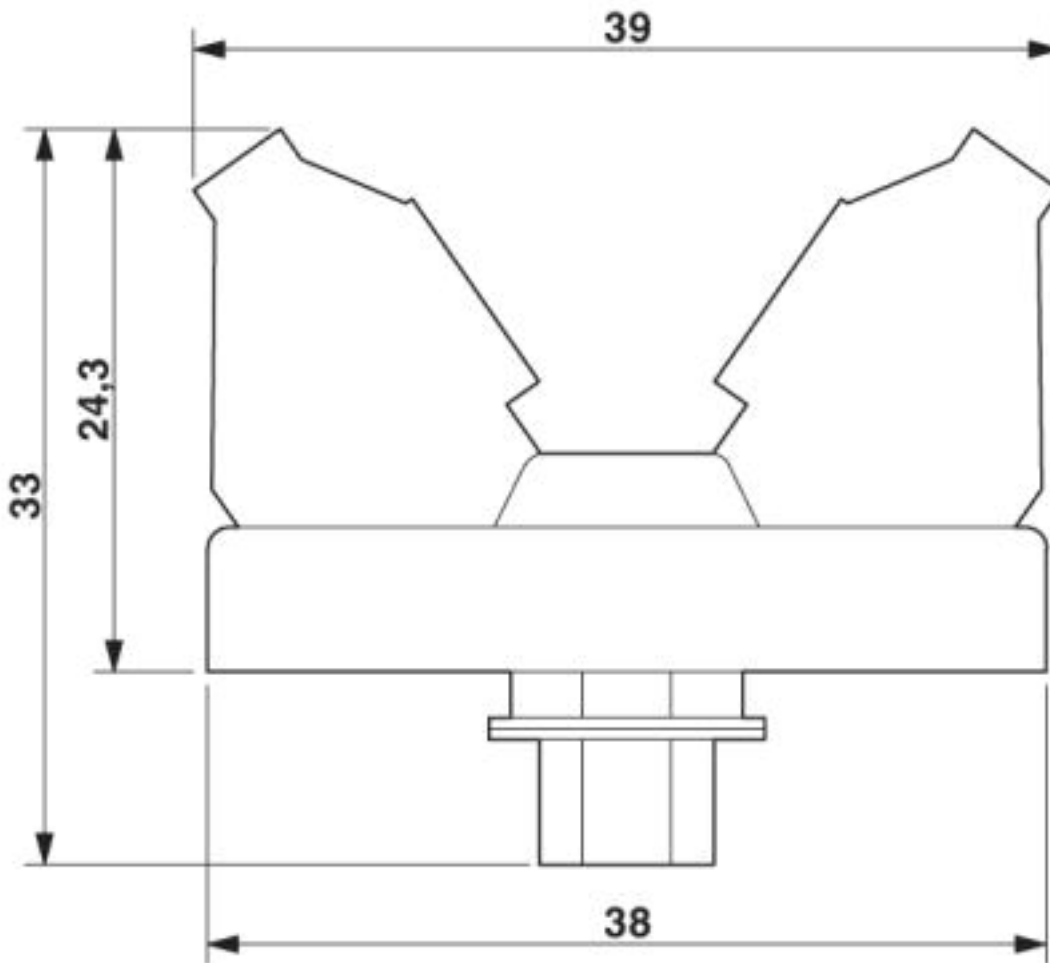
Interface module - DFLK-D15 SUB/B - 2280307

Dimensioned drawing



Interface module - DFLK-D15 SUB/B - 2280307

Dimensioned drawing



© Phoenix Contact 2013 - all rights reserved
<http://www.phoenixcontact.com>