

# Passive module - UM 45- 2FLK14/S7 - 2965143

Please be informed that the data shown in this PDF Document is generated from our Online Catalog. Please find the complete data in the user's documentation. Our General Terms of Use for Downloads are valid (<http://download.phoenixcontact.com>)



VARIOFACE interface module for Siemens SIMATIC® S7-300, for max. 16 channels with SIMATIC®-specific labeling (1 - 20), with screw connection, module width: 98 mm



## Key commercial data

package_quantity	1
GTIN	4017918130930

## Technical data

### Dimensions

Width	98 mm
Height	45 mm
Depth	50 mm

### Ambient conditions

Ambient temperature (operation)	-20 °C ... 50 °C
Ambient temperature (storage/transport)	-20 °C ... 70 °C

### General

Nominal voltage $U_N$	< 50 V AC
Nominal voltage $U_N$	60 V DC
Max. current carrying capacity per branch	1 A
Test voltage	500 V (50 Hz, 1 min.)
Mounting position	Any
Standards/regulations	IEC 60664
Standards/regulations	DIN VDE 110
Pollution degree	2
Surge voltage category	II

### Connection data for connection 1

Connection name	Field level
Connection method	Screw connection
Conductor cross section solid min.	0.14 mm <sup>2</sup>
Conductor cross section solid max.	1.5 mm <sup>2</sup>

# Passive module - UM 45- 2FLK14/S7 - 2965143

## Technical data

### Connection data for connection 1

Conductor cross section stranded min.	0.14 mm <sup>2</sup>
Conductor cross section stranded max.	1.5 mm <sup>2</sup>
Conductor cross section AWG/kcmil min.	26
Conductor cross section AWG/kcmil max	14
Stripping length	6 mm
Screw thread	M3

## classifications

### eCl@ss

eCl@ss 4.0	27250313
eCl@ss 4.1	27250313
eCl@ss 5.0	27250313
eCl@ss 5.1	27250313
eCl@ss 6.0	27371601
eCl@ss 7.0	27371601
eCl@ss 8.0	27371601

### ETIM

ETIM 2.0	EC001437
ETIM 3.0	EC001437
ETIM 4.0	EC001437
ETIM 5.0	EC001437


### UNSPSC

UNSPSC 6.01	30211824
UNSPSC 7.0901	39121421
UNSPSC 11	39121421
UNSPSC 12.01	39121421
UNSPSC 13.2	39121421

## approvals

GOST /

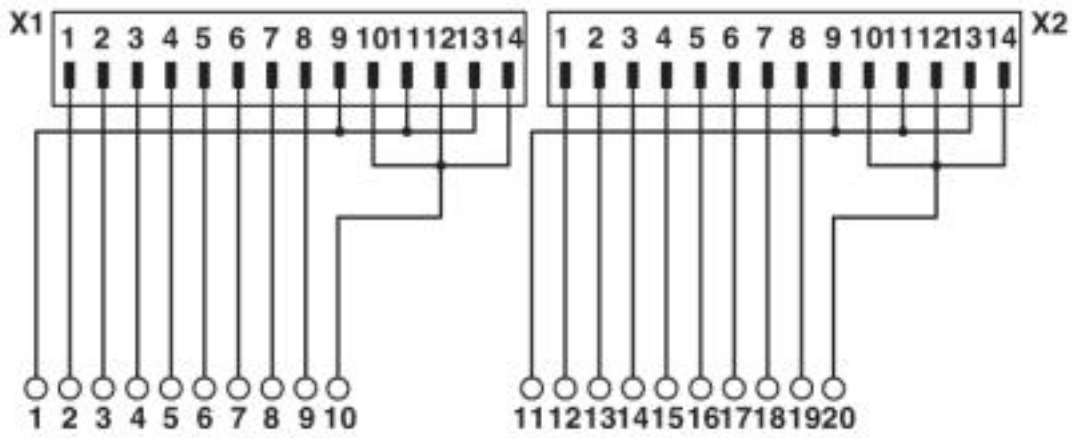
### Approval details


---

## Drawings

# Passive module - UM 45- 2FLK14/S7 - 2965143

Circuit diagram



UM 45-2FLK14/S7 connection scheme

© Phoenix Contact 2013 - all rights reserved  
<http://www.phoenixcontact.com>