

# Interface module - DFLK-D15 SUB/S - 2280297

Please be informed that the data shown in this PDF Document is generated from our Online Catalog. Please find the complete data in the user's documentation. Our General Terms of Use for Downloads are valid (<http://download.phoenixcontact.com>)



The VARIOFACE feed-through module implements a 1:1 connection between screw connection terminal blocks and a D-SUB miniature pin strip (number of positions: 15). A separate ground tap is available.

## Product Features

- 9 to 50-pos.
- 9 to 37-pos.: separate ground tap
- 50-pos.: no ground tap
- According to IEC 60807-2
- Screw connection
- 1:1 connection
- D-SUB 4-40 UNC thread

## Key commercial data

<b>package_quantity</b>	5
<b>GTIN</b>	4017918054403

## Technical data

### Dimensions

<b>Width</b>	39 mm
<b>Height</b>	58.4 mm
<b>Depth</b>	33 mm

### Ambient conditions

<b>Ambient temperature (operation)</b>	-20 °C ... 50 °C
<b>Ambient temperature (storage/transport)</b>	-20 °C ... 70 °C

### General

<b>Nominal voltage <math>U_N</math></b>	125 V AC/DC
<b>Max. current carrying capacity per branch</b>	2.5 A
<b>Max. total current of all branches</b>	37.5 A
<b>Number of positions</b>	15
<b>Status display</b>	No
<b>Mounting position</b>	Any
<b>Assembly instructions</b>	In rows with zero spacing
<b>Standards/specifications</b>	Air and creepage distances DIN EN 50178
<b>Pollution degree</b>	2

# Interface module - DFLK-D15 SUB/S - 2280297

## Technical data

### General

<b>Surge voltage category</b>	II
<b>Rated surge voltage</b>	1.2 kV
<b>Rated insulation voltage</b>	125 V

### Connection data for connection 1

<b>Connection name</b>	Field level
<b>Connection in acc. with standard</b>	IEC / EN
<b>Connection method</b>	Screw connection
<b>Conductor cross section solid min.</b>	0.2 mm <sup>2</sup>
<b>Conductor cross section solid max.</b>	4 mm <sup>2</sup>
<b>Conductor cross section stranded min.</b>	0.2 mm <sup>2</sup>
<b>Conductor cross section stranded max.</b>	2.5 mm <sup>2</sup>
<b>Conductor cross section AWG/kcmil min.</b>	24
<b>Conductor cross section AWG/kcmil max</b>	12
<b>Stripping length</b>	8 mm
<b>Screw thread</b>	M3

### Connection data for connection 2

<b>Connection name</b>	Control system level
<b>Connection method</b>	D-SUB pin strip
<b>Number of positions</b>	15

## classifications

### eCl@ss

<b>eCl@ss 4.0</b>	27250313
<b>eCl@ss 4.1</b>	27250313
<b>eCl@ss 5.0</b>	27250313
<b>eCl@ss 5.1</b>	27250313
<b>eCl@ss 6.0</b>	27242608
<b>eCl@ss 7.0</b>	27141152
<b>eCl@ss 8.0</b>	27141152

### ETIM

<b>ETIM 2.0</b>	EC001434
<b>ETIM 3.0</b>	EC001604
<b>ETIM 4.0</b>	EC001604
<b>ETIM 5.0</b>	EC002780

### UNSPSC

<b>UNSPSC 6.01</b>	30211824
<b>UNSPSC 7.0901</b>	39121421
<b>UNSPSC 11</b>	39121421
<b>UNSPSC 12.01</b>	39121421

# Interface module - DFLK-D15 SUB/S - 2280297

## classifications

### UNSPSC

<b>UNSPSC 13.2</b>	39121421
--------------------	----------

## approvals

UL Recognized / cUL Recognized / GOST / cULus Recognized /

### Approval details

<b>UL Recognized</b>	
Nominal voltage UN	125 V
Nominal current IN	2.5 A
mm <sup>2</sup> /AWG/kcmil	30-12

<b>cUL Recognized</b>	
Nominal voltage UN	125 V
Nominal current IN	2.5 A
mm <sup>2</sup> /AWG/kcmil	30-12

<b>GOST</b>
-------------

<b>cULus Recognized</b>
-------------------------

## accessories

### System cable

CABLE-D15SUB/B/S/ 50/KONFEK/S - 2302052



## Interface module - DFLK-D15 SUB/S - 2280297

### accessories

CABLE-D15SUB/B/S/100/KONFEK/S - 2302065



CABLE-D15SUB/B/S/150/KONFEK/S - 2302078



CABLE-D15SUB/B/S/200/KONFEK/S - 2302081



CABLE-D15SUB/B/S/300/KONFEK/S - 2302094



CABLE-D15SUB/B/S/400/KONFEK/S - 2302104



CABLE-D15SUB/B/S/600/KONFEK/S - 2302117



## Interface module - DFLK-D15 SUB/S - 2280297

### accessories

---

CABLE D-SUB-S/.../.../... - 2302340



CABLE D-SUB-B-B-S/.../.../... - 2302421



CABLE-D-15SUB/F/OE/0,25/S/0,5M - 2926085



CABLE-D-15SUB/F/OE/0,25/S/1,0M - 2926098



CABLE-D-15SUB/F/OE/0,25/S/1,5M - 2926108



## Interface module - DFLK-D15 SUB/S - 2280297

### accessories

CABLE-D-15SUB/F/OE/0,25/S/2,0M - 2926111



CABLE-D-15SUB/F/OE/0,25/S/3,0M - 2926124



CABLE-D-15SUB/F/OE/0,25/S/4,0M - 2926137



CABLE-D-15SUB/F/OE/0,25/S/6,0M - 2926140



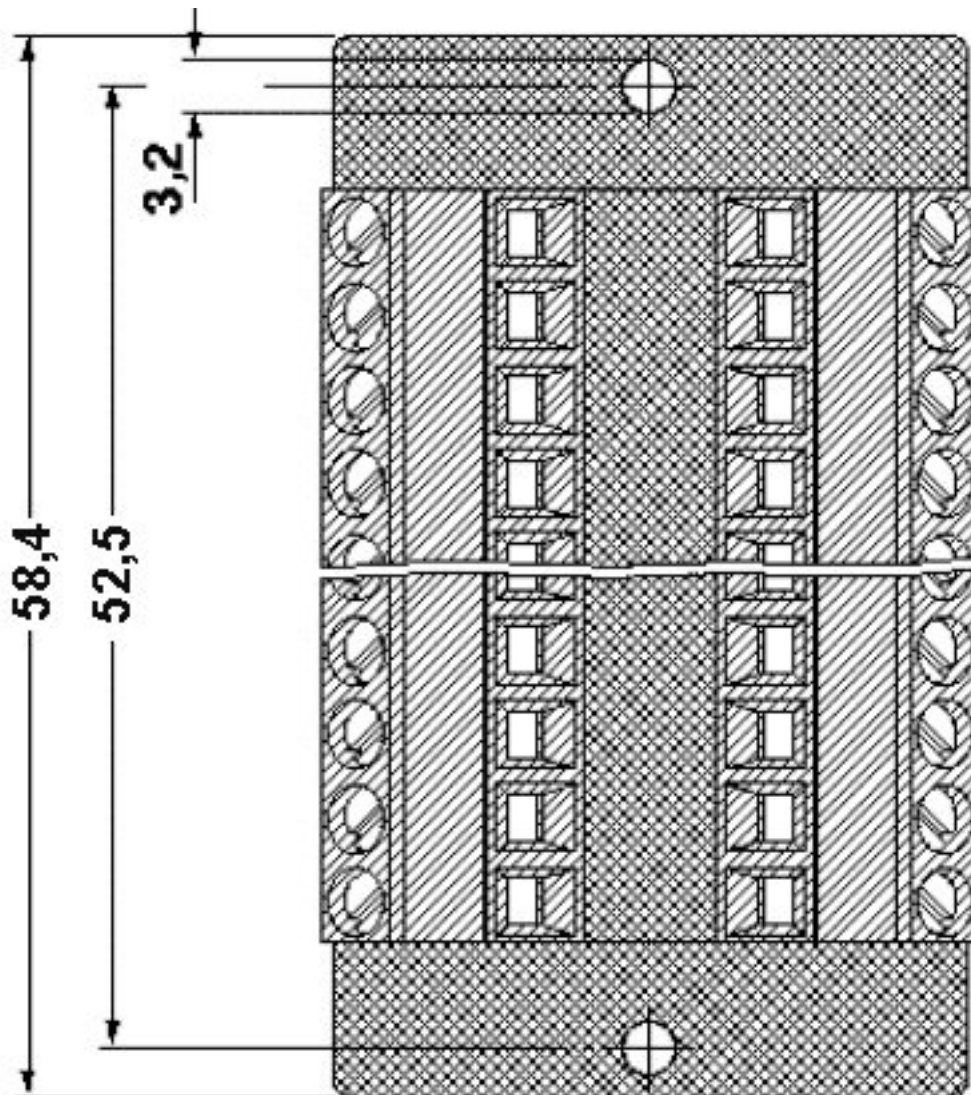
CABLE-D-15SUB-F-OE-0,25-S/... - 2900905



### Drawings

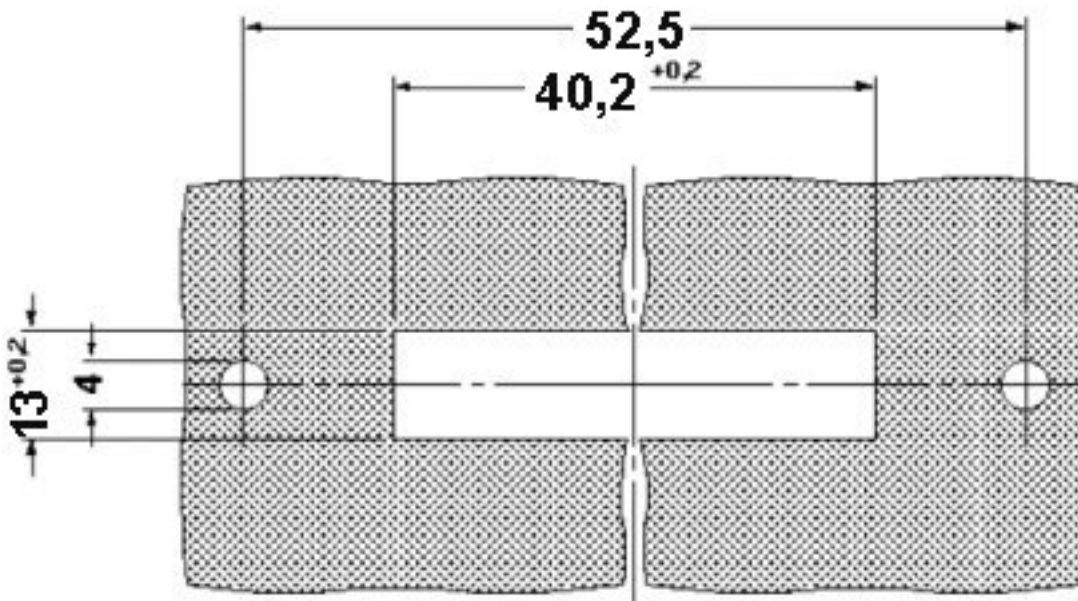
# Interface module - DFLK-D15 SUB/S - 2280297

Dimensioned drawing



# Interface module - DFLK-D15 SUB/S - 2280297

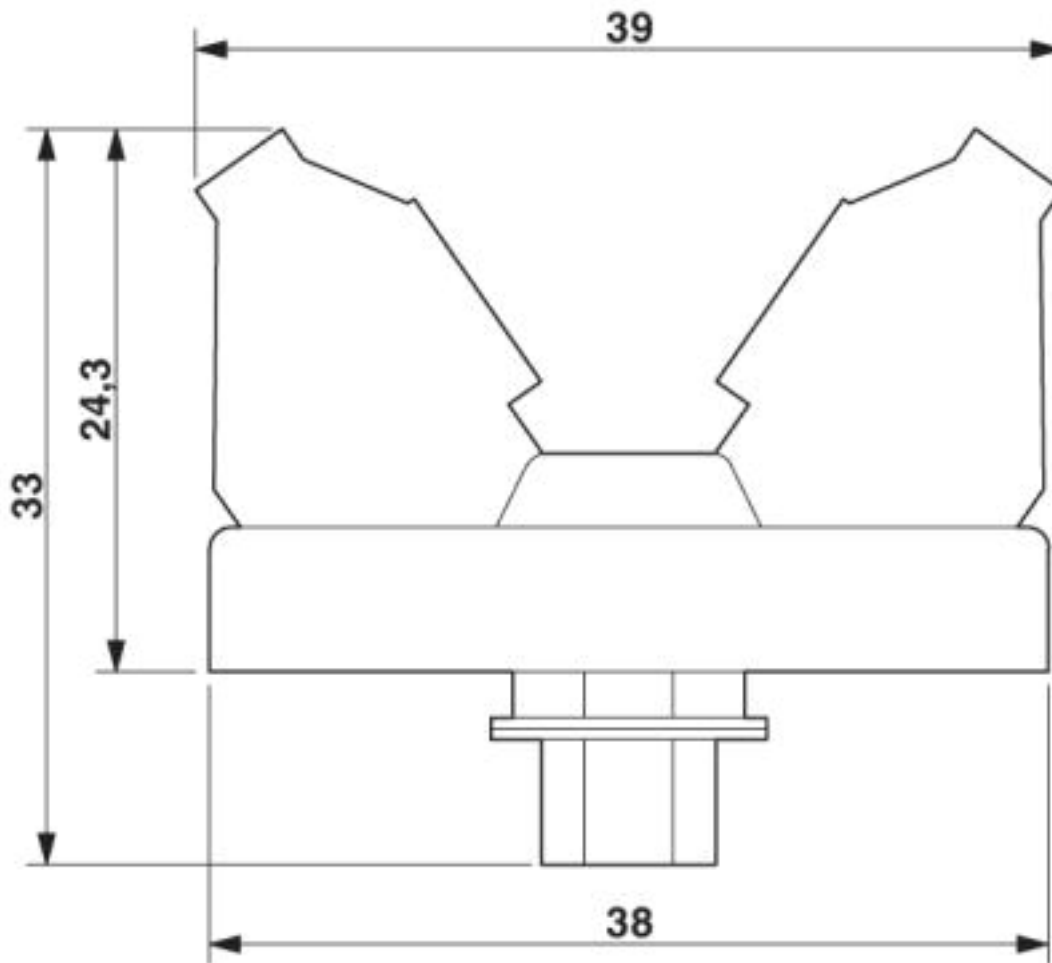
Dimensioned drawing





## Interface module - DFLK-D15 SUB/S - 2280297

Dimensioned drawing



© Phoenix Contact 2013 - all rights reserved  
<http://www.phoenixcontact.com>