

Power and error message module - MACX MCR-PTB - 2865625

Please be informed that the data shown in this PDF Document is generated from our Online Catalog. Please find the complete data in the user's documentation. Our General Terms of Use for Downloads are valid (<http://download.phoenixcontact.com>)



Power and error message module

Product Features

- Simple or redundant supply, decoupled from diode, protected against polarization
- Installation in zone 2 permitted
- Replaceable fuse
- Error message in the event of power supply failure or fuse fault
- Bus cable error message for MACX MCR-...(2)NAM... devices connected via DIN rail connectors
- Relay output (PDT) and flashing LED for error messages
- Supply current up to 3.75 A



Key commercial data

package_quantity	1
GTIN	4046356324618

Technical data

Dimensions

Width	17.5 mm
Height	99 mm
Depth	114.5 mm

Ambient conditions

Ambient temperature (operation)	-20 °C ... 60 °C (Any mounting position)
Ambient temperature (storage/transport)	-40 °C ... 80 °C
Maximum altitude	≤ 2000 m
Permissible humidity (operation)	5 % ... 95 % (no condensation)
Noise immunity	EN 61000-6-2 When being exposed to interference, there may be minimal deviations.
Degree of protection	IP20

Input data

Voltage input signal	19.2 V DC ... 30 V DC
----------------------	-----------------------

Power and error message module - MACX MCR-PTB - 2865625

Technical data

Input data

Fuse	5 A (replaceable), slow-blow 250 V AC
Polarization and surge protection	Yes

Output data

Max. current output signal	3.75 A
Output voltage	(Input voltage - max 0.8 V at 3.75 A)
Output name	Relay
Contact type	1 PDT
Contact material	Gold (Au)
Maximum switching voltage	50 V AC (2 A)

Connection data

Conductor cross section solid min.	0.2 mm ²
Conductor cross section solid max.	2.5 mm ²
Conductor cross section stranded min.	0.2 mm ²
Conductor cross section stranded max.	2.5 mm ²
Conductor cross section AWG/kcmil min.	24
Conductor cross section AWG/kcmil max	14
Stripping length	7 mm
Screw thread	M3
Connection method	Screw connection
Tightening torque, min	0.5 Nm
Tightening torque max	0.6 Nm

General

Status display	1 x red LED (error)
Status display	2 x green LEDs (PWR1 and PWR2)
Inflammability class according to UL 94	V0
Pollution degree	2
Surge voltage category	II
Housing material	Polyamide (PA 6.6)
Color	green
Conformance	CE-compliant
ATEX	# II 3 G Ex nA nC IIC T4 Gc X
IECEX	Ex nA nC IIC T4 Gc X
UL, USA / Canada	UL 61010

classifications

eCl@ss

eCl@ss 4.0	27210121
eCl@ss 4.1	27210121
eCl@ss 5.0	27210121

Power and error message module - MACX MCR-PTB - 2865625

classifications

eCl@ss

eCl@ss 5.1	27210121
eCl@ss 6.0	27210121
eCl@ss 7.0	27210121
eCl@ss 8.0	27210121

ETIM

ETIM 2.0	EC001431
ETIM 3.0	EC001596
ETIM 4.0	EC001596
ETIM 5.0	EC001596

UNSPSC

UNSPSC 6.01	30211506
UNSPSC 7.0901	39121008
UNSPSC 11	39121008
UNSPSC 12.01	39121008
UNSPSC 13.2	39121008

approvals

IECEX / ATEX / IECEx / UL Listed / cUL Listed / GL / cULus Listed /

Approval details

IECEX

ATEX

UL Listed

cUL Listed

GL

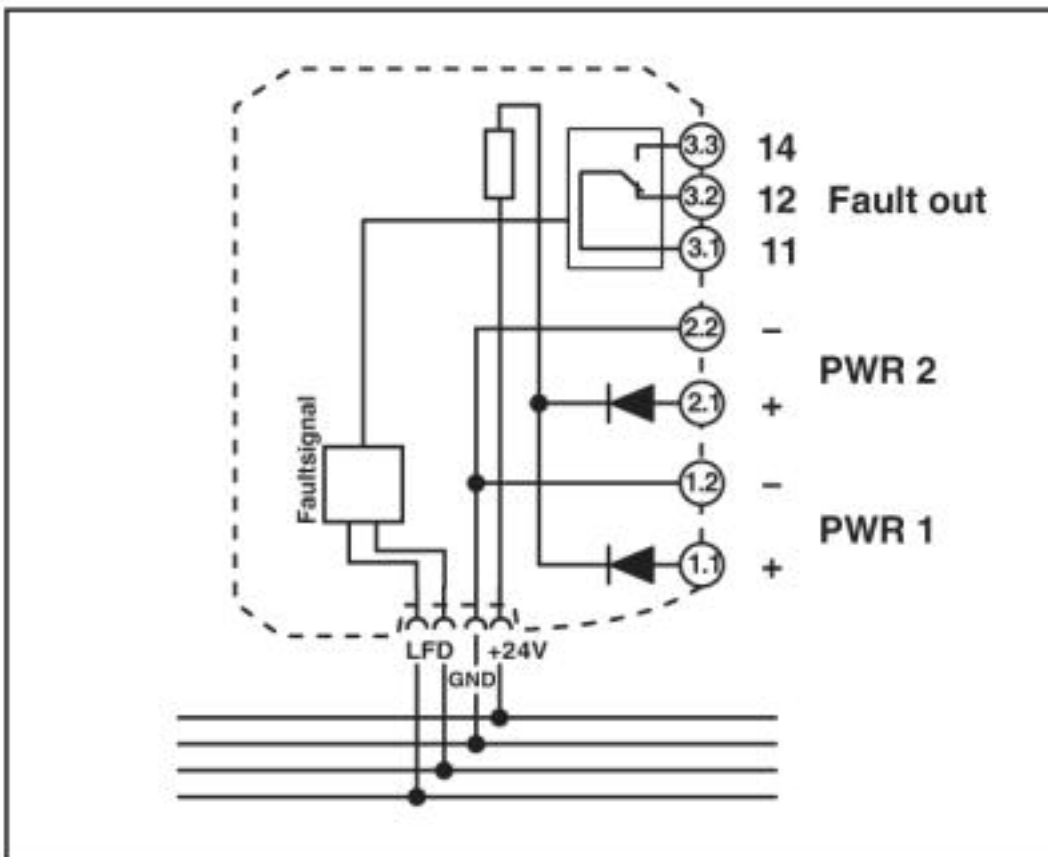
Power and error message module - MACX MCR-PTB - 2865625

approvals



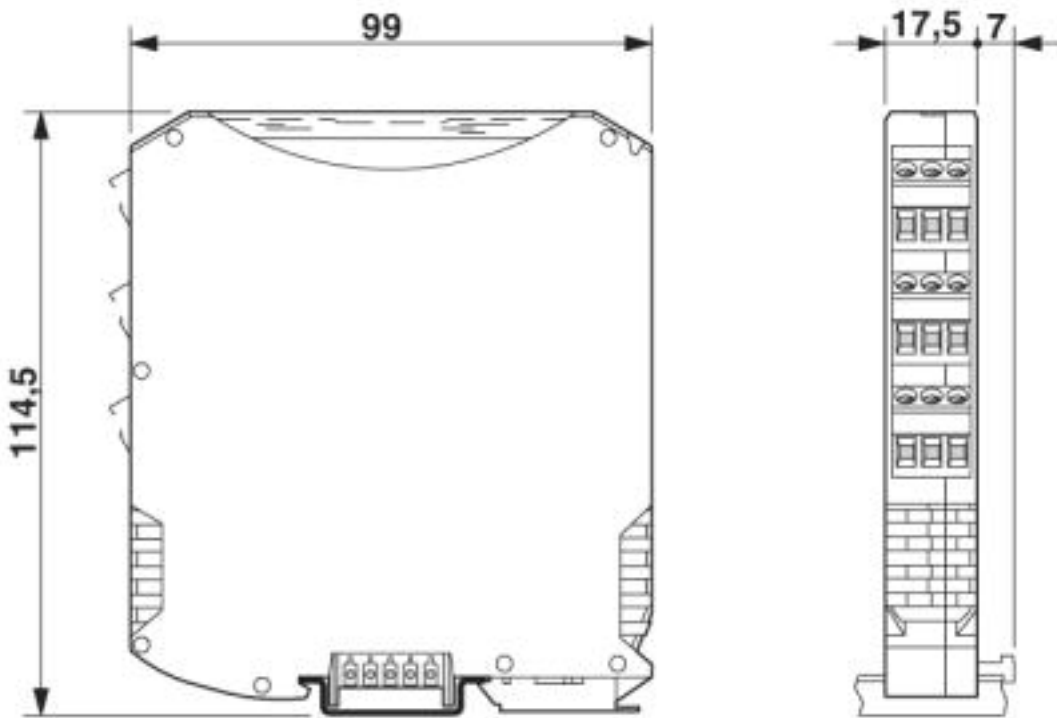
Drawings

Block diagram



Power and error message module - MACX MCR-PTB - 2865625

Dimensioned drawing



© Phoenix Contact 2013 - all rights reserved
<http://www.phoenixcontact.com>