

Panel mounting frames - VS-SCRJ-A-TC-IP67 - 1658545

Please be informed that the data shown in this PDF Document is generated from our Online Catalog. Please find the complete data in the user's documentation. Our General Terms of Use for Downloads are valid (<http://download.phoenixcontact.com>)



VS-SCRJ panel mounting frame for transceiver from AVAGO, type: AFBR 5978Z, gray, IP65/67

Ethernet

Key commercial data

package_quantity	1
GTIN	4046356163095

Technical data

Mechanical characteristics

Color	gray
-------	------

Ambient conditions

Ambient temperature (operation)	-40 °C ... 80 °C
Degree of protection	IP65/67

Material data

Inflammability class according to UL 94	V0
Housing material	PA

classifications

eCl@ss

eCl@ss 4.0	272607xx
eCl@ss 4.1	27260701
eCl@ss 5.0	27260701
eCl@ss 5.1	27260701
eCl@ss 6.0	27260708
eCl@ss 7.0	27440312
eCl@ss 8.0	27440312

ETIM

ETIM 3.0	EC001121
ETIM 4.0	EC001121
ETIM 5.0	EC002310

Panel mounting frames - VS-SCRJ-A-TC-IP67 - 1658545

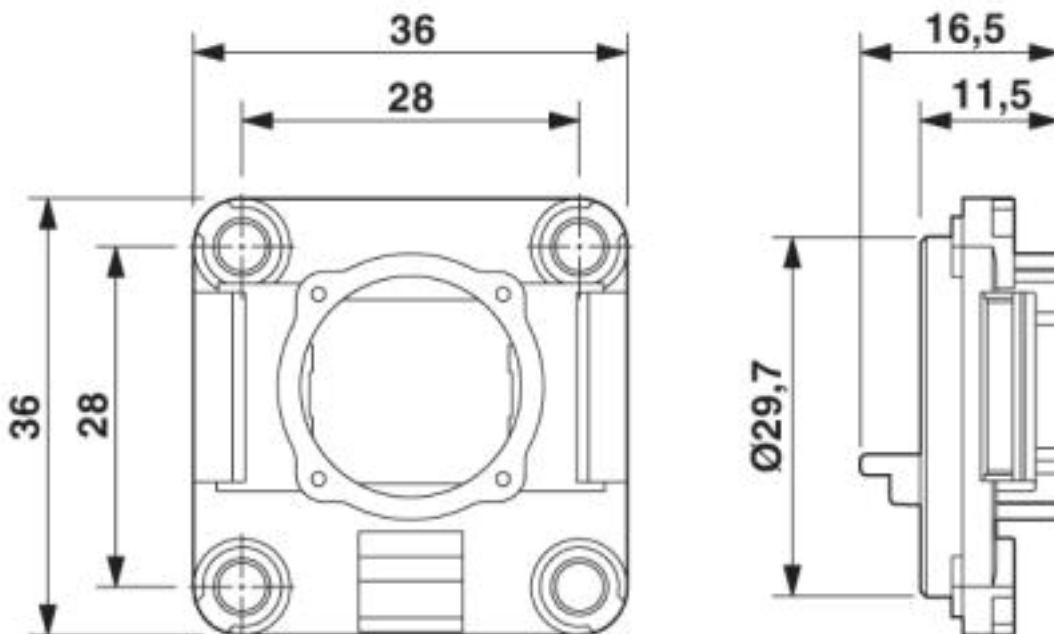
classifications

UNSPSC

UNSPSC 6.01	31261501
UNSPSC 7.0901	31261501
UNSPSC 11	31261501
UNSPSC 12.01	31261501
UNSPSC 13.2	31261501

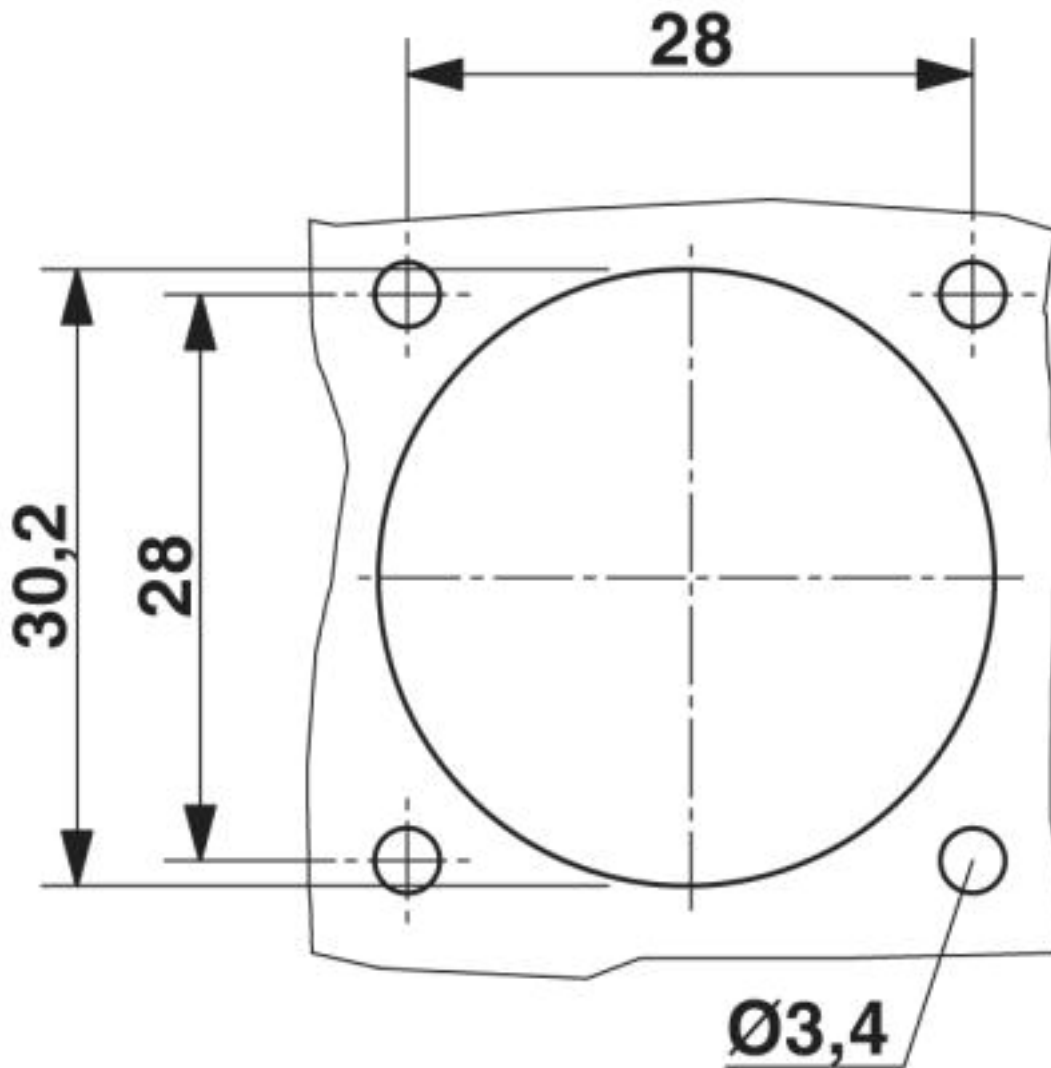
Drawings

Dimensioned drawing



Panel mounting frames - VS-SCRJ-A-TC-IP67 - 1658545

Dimensioned drawing



Panel cutout

© Phoenix Contact 2013 - all rights reserved
<http://www.phoenixcontact.com>