

Panel mounting frames - VS-PPC-F1-SCRJ-MNNA-1RP - 1608061

Please be informed that the data shown in this PDF Document is generated from our Online Catalog. Please find the complete data in the user's documentation. Our General Terms of Use for Downloads are valid (<http://download.phoenixcontact.com>)



SCRJ panel mounting frame, IP67, for push-pull interlocking, metal, for transceiver, for square panel cutout, with grommet, without mounting screws



Key commercial data

package_quantity	1
GTIN	4046356131735

Technical data

Mechanical characteristics

Number of positions	2
Insertion/withdrawal cycles	≥ 500
Color	silver

Ambient conditions

Ambient temperature (operation)	-40 °C ... 80 °C
Degree of protection	IP65/67

Material data

Inflammability class according to UL 94	V0
Housing material	Zinc die-cast
Material	Metal
Sealing material	NBR
Seal material	NBR

Electrical characteristics

Number of positions	2
Pollution degree	2

classifications

eCl@ss

eCl@ss 4.0	24190219
eCl@ss 4.1	24190219
eCl@ss 5.0	27141137

Panel mounting frames - VS-PPC-F1-SCRJ-MNNA-1RP - 1608061

classifications

eCl@ss

eCl@ss 5.1	27141137
eCl@ss 6.0	27141137
eCl@ss 7.0	27141137
eCl@ss 8.0	27141137

ETIM

ETIM 3.0	EC001121
ETIM 4.0	EC001121
ETIM 5.0	EC002310

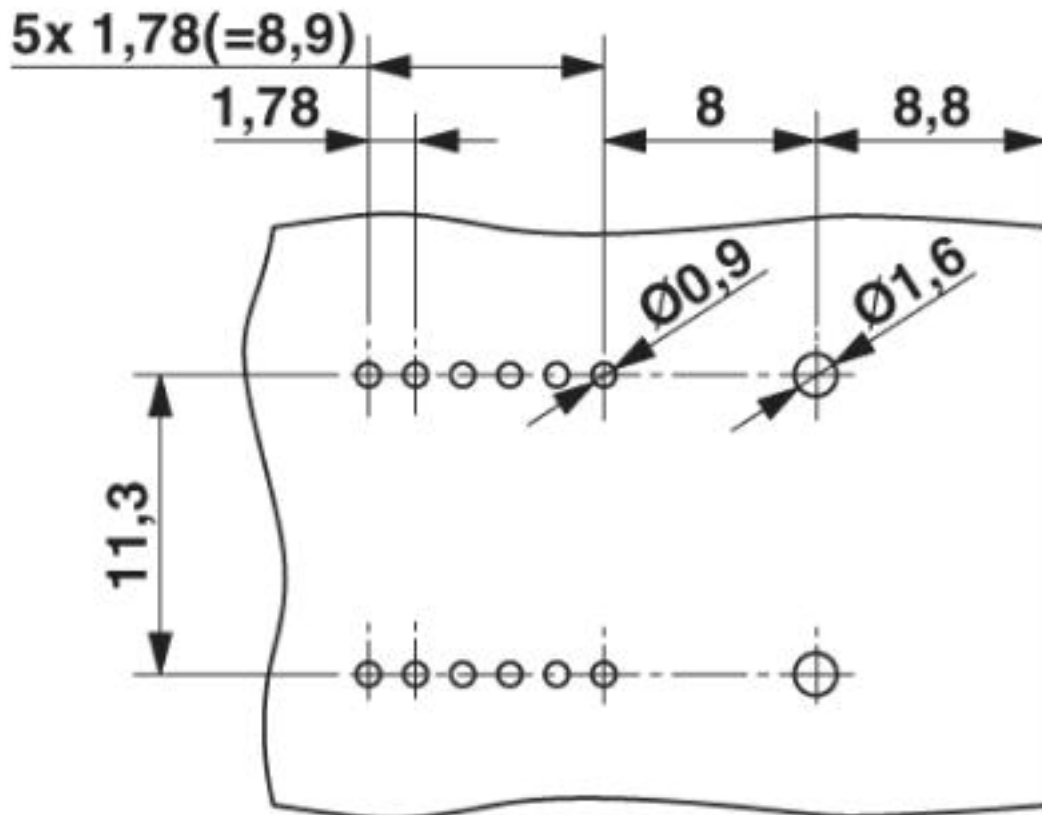
UNSPSC

UNSPSC 6.01	31261501
UNSPSC 7.0901	31261501
UNSPSC 11	31261501
UNSPSC 12.01	31261501
UNSPSC 13.2	31261501

Drawings

Panel mounting frames - VS-PPC-F1-SCRJ-MNNA-1RP - 1608061

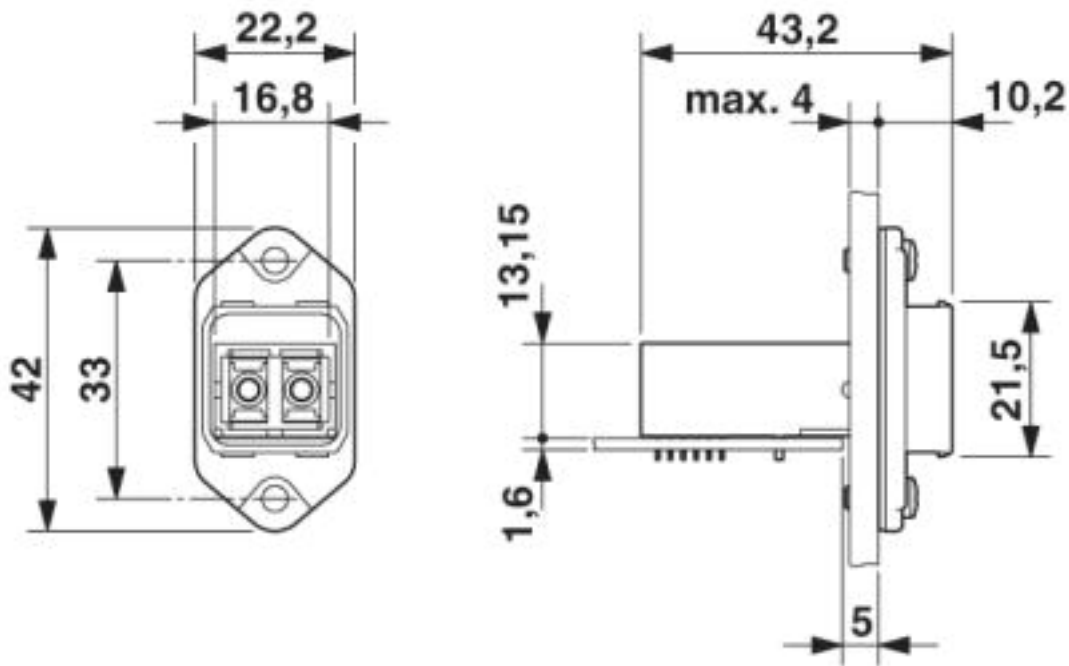
Drilling diagram



Drilling diagram

Panel mounting frames - VS-PPC-F1-SCRJ-MNNA-1RP - 1608061

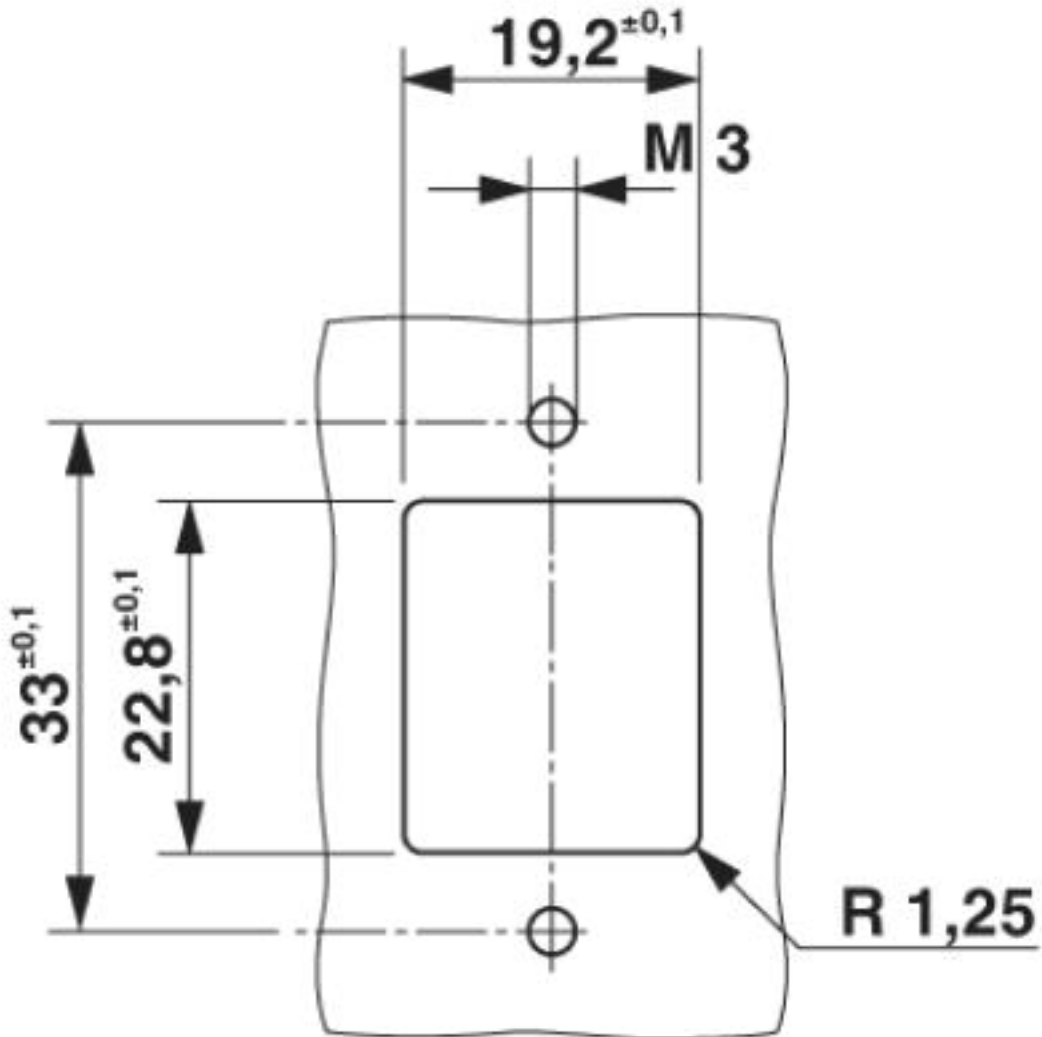
Dimensioned drawing



Push-Pull SCRJ panel mounting frame

Panel mounting frames - VS-PPC-F1-SCRJ-MNNA-1RP - 1608061

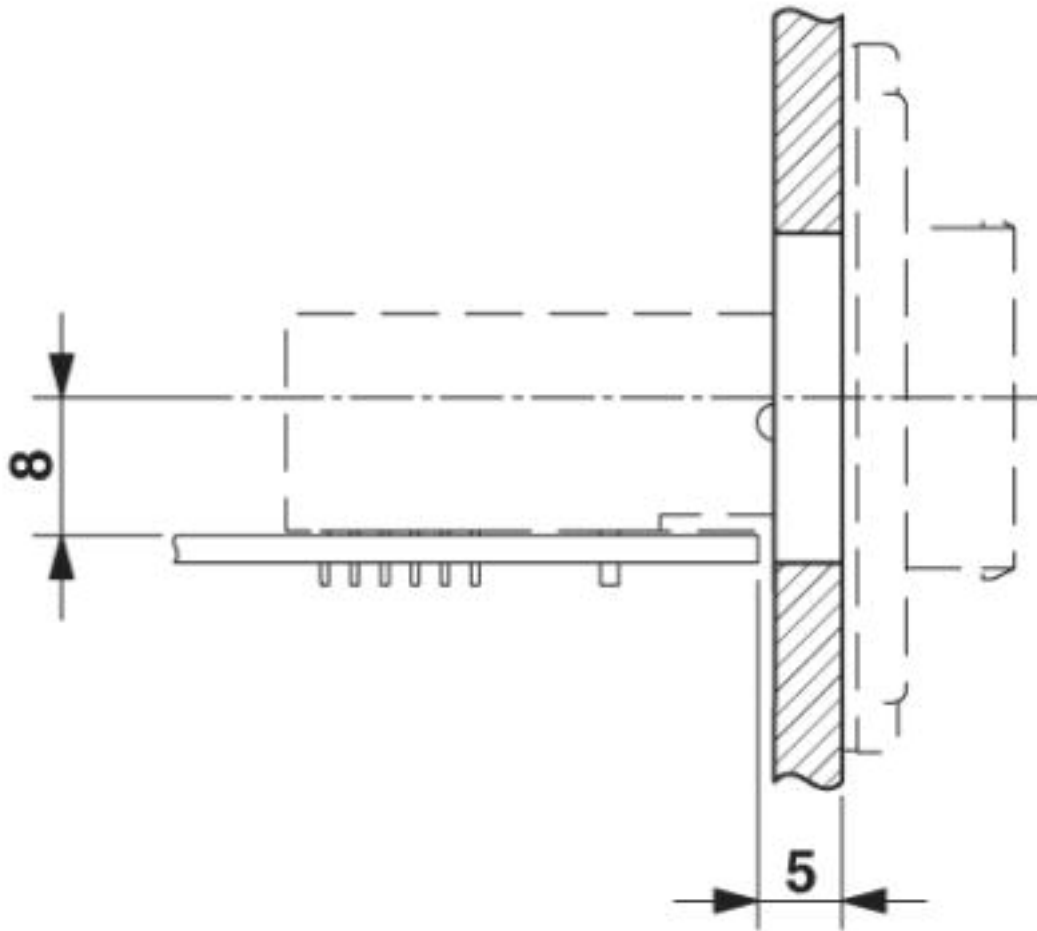
Dimensioned drawing



Panel cutout

Panel mounting frames - VS-PPC-F1-SCRJ-MNNA-1RP - 1608061

Dimensioned drawing



© Phoenix Contact 2013 - all rights reserved
<http://www.phoenixcontact.com>