

## D-SUB contact support - VS-09-BU-DSUB-HD-CD-B - 1655124

Please be informed that the data shown in this PDF Document is generated from our Online Catalog. Please find the complete data in the user's documentation. Our General Terms of Use for Downloads are valid (<http://download.phoenixcontact.com>)



D-SUB contact carrier, shell size 1, for 15 signal contacts, contact type socket, for crimp contacts, straight, fixing with a 3 mm hole, for panel mounting frame and sleeve housing VS-09-...

### Key commercial data

package_quantity	10
GTIN	4046356029063

### Technical data

#### Mechanical characteristics

Number of positions	15
Connection profile	D-SUB 9
Insertion/withdrawal cycles	≥ 500
Connection method	Crimp connection

#### Ambient conditions

Ambient temperature (operation)	-55 °C ... 125 °C
---------------------------------	-------------------

#### Material data

Inflammability class according to UL 94	V0
Housing material	Steel, yellow chromated
Contact carrier material	Polyester GF

#### Electrical characteristics

Rated voltage (III/3)	60 V
Rated surge voltage	1 kV
Rated current	3 A

### classifications

#### eCl@ss

eCl@ss 4.0	27140816
eCl@ss 4.1	27260701
eCl@ss 5.0	27260701
eCl@ss 5.1	27260701
eCl@ss 6.0	27260705
eCl@ss 7.0	27440309

# D-SUB contact support - VS-09-BU-DSUB-HD-CD-B - 1655124

## classifications

eCl@ss

eCl@ss 8.0	27440309
------------	----------

ETIM

ETIM 2.0	EC000438
ETIM 3.0	EC000438
ETIM 4.0	EC000438
ETIM 5.0	EC000438

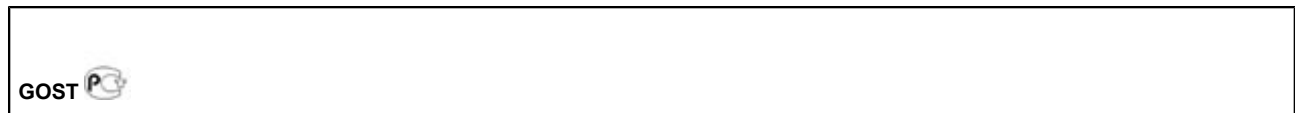
UNSPSC

UNSPSC 6.01	30211923
UNSPSC 7.0901	39121522
UNSPSC 11	39121522
UNSPSC 12.01	39121522
UNSPSC 13.2	39121522

## approvals

GOST /

Approval details



## accessories

### Crimp contact

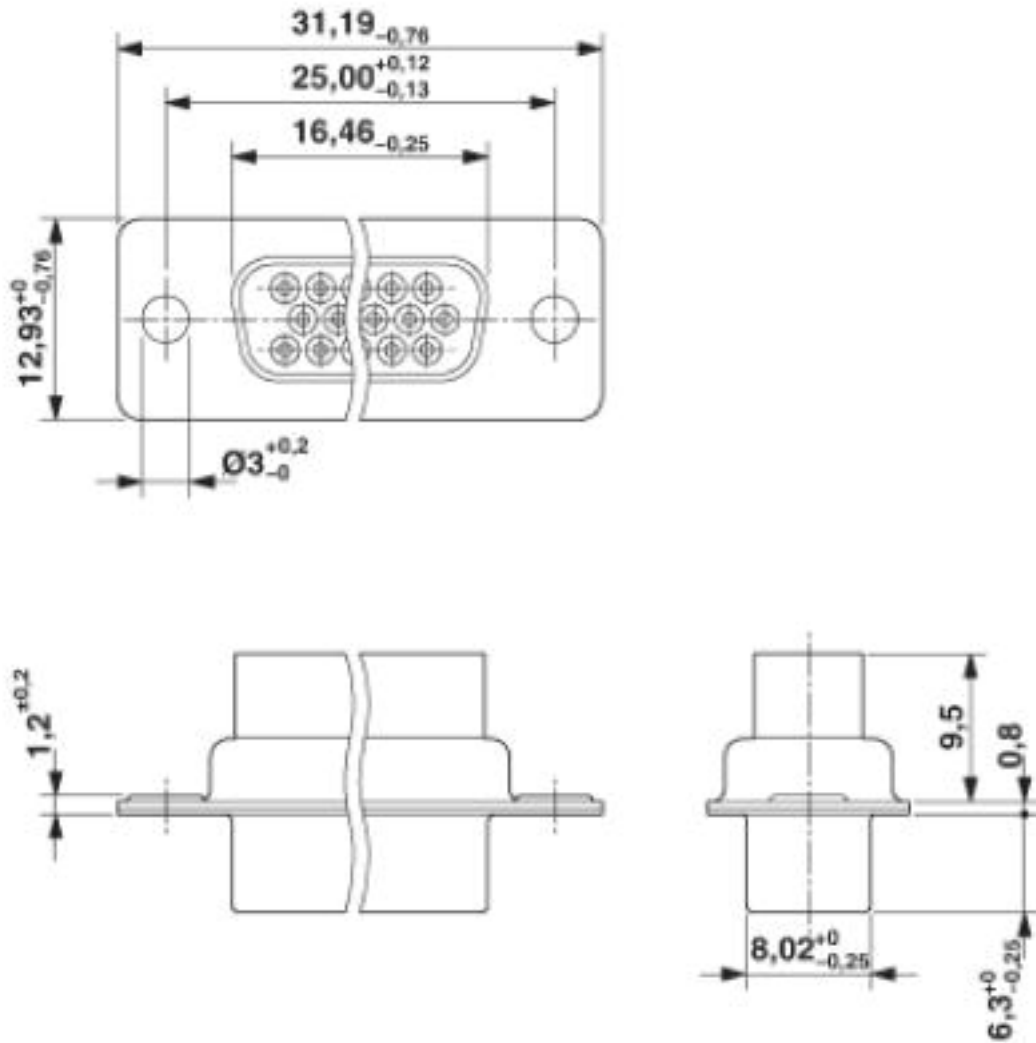
VS-BU-CD-HD-1,0/13,5/0,37 - 1655263



## Drawings

# D-SUB contact support - VS-09-BU-DSUB-HD-CD-B - 1655124

Dimensioned drawing



D-SUB contact carrier

© Phoenix Contact 2013 - all rights reserved  
<http://www.phoenixcontact.com>