

Fiber optic coupling - PSM-SET-FSMA-LINK/2 - 2799416

Please be informed that the data shown in this PDF Document is generated from our Online Catalog. Please find the complete data in the user's documentation. Our General Terms of Use for Downloads are valid (<http://download.phoenixcontact.com>)



Coupling; set consisting of 2 couplings for connecting F-SMA plugs

Key commercial data

package_quantity	1
GTIN	4017918118396

classifications

eCl@ss

eCl@ss 4.0	27061001
eCl@ss 4.1	27061001
eCl@ss 5.0	27061803
eCl@ss 5.1	27061803
eCl@ss 6.0	27061803
eCl@ss 7.0	27061803
eCl@ss 8.0	27061803

ETIM

ETIM 2.0	EC000752
ETIM 3.0	EC000752
ETIM 4.0	EC000752
ETIM 5.0	EC000752

UNSPSC

UNSPSC 6.01	26121607
UNSPSC 7.0901	26121607
UNSPSC 11	26121607
UNSPSC 12.01	26121607
UNSPSC 13.2	26121607

accessories

Adapter

Fiber optic coupling - PSM-SET-FSMA-LINK/2 - 2799416

accessories

PSM-SET-BFOC-LINK/2 - 2799429



FL MM PATCH COUPLER LC-LC - 2700312



FL SM PATCH COUPLER LC-LC - 2700313



FL COUPLER SC-DUPLEX - 2901788



Fiber optics connector (device side)

VS-SCRJ-GOF-BU/BU - 1652978



Connector set

Fiber optic coupling - PSM-SET-FSMA-LINK/2 - 2799416

accessories

PSM-SET-FSMA/4-HCS - 2799487

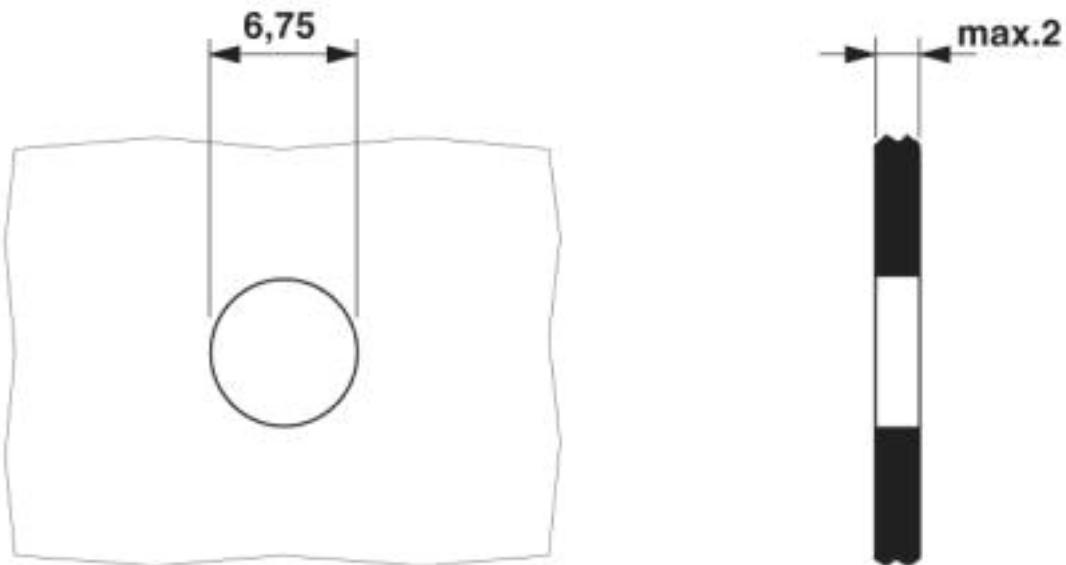


PSM-SET-FSMA/4-KT - 2799720



Drawings

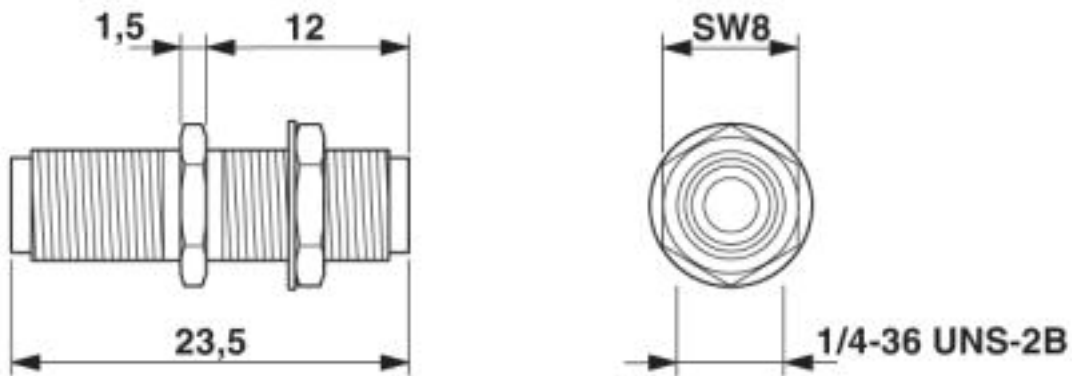
Drilling diagram



Drilling diagram F-SMA panel feed-through

Fiber optic coupling - PSM-SET-FSMA-LINK/2 - 2799416

Dimensioned drawing



Dimensional drawing F-SMA coupling

© Phoenix Contact 2013 - all rights reserved
<http://www.phoenixcontact.com>