

D-SUB power contact - VS-BU-SC-2,6 - 1655470

Please be informed that the data shown in this PDF Document is generated from our Online Catalog. Please find the complete data in the user's documentation. Our General Terms of Use for Downloads are valid (<http://download.phoenixcontact.com>)



POWER contact, for D-SUB combination inserts, screw connection, socket, straight, rated current 20 A, gold-plated

Key commercial data

package_quantity	30
GTIN	4046356029407

Technical data

Mechanical characteristics

Insertion/withdrawal cycles	≥ 500
Connection method	Screw connection
Conductor cross section	0.75 mm ² ... 2 mm ²
Connection cross section AWG	18 ... 14
Insertion force per signal contact	≤ 7.00 N
Extraction force per signal contact	approx. 5 N

Ambient conditions

Ambient temperature (operation)	-55 °C ... 155 °C
---------------------------------	-------------------

Material data

Contact material	Copper alloy
Contact surface material	Hard gold-plated over nickel

Electrical characteristics

Rated current	40 A
Insulation resistance	≥ 5 GΩ

classifications

eCl@ss

eCl@ss 4.0	27140816
eCl@ss 4.1	27260701
eCl@ss 5.0	27260701
eCl@ss 5.1	27260701
eCl@ss 6.0	27261202
eCl@ss 7.0	27440204

D-SUB power contact - VS-BU-SC-2,6 - 1655470

classifications

eCl@ss

eCl@ss 8.0	27440204
------------	----------

ETIM

ETIM 2.0	EC000796
ETIM 3.0	EC000796
ETIM 4.0	EC000796
ETIM 5.0	EC000796

UNSPSC

UNSPSC 6.01	30211923
UNSPSC 7.0901	39121522
UNSPSC 11	39121522
UNSPSC 12.01	39121522
UNSPSC 13.2	39121522

accessories

Assembly tool

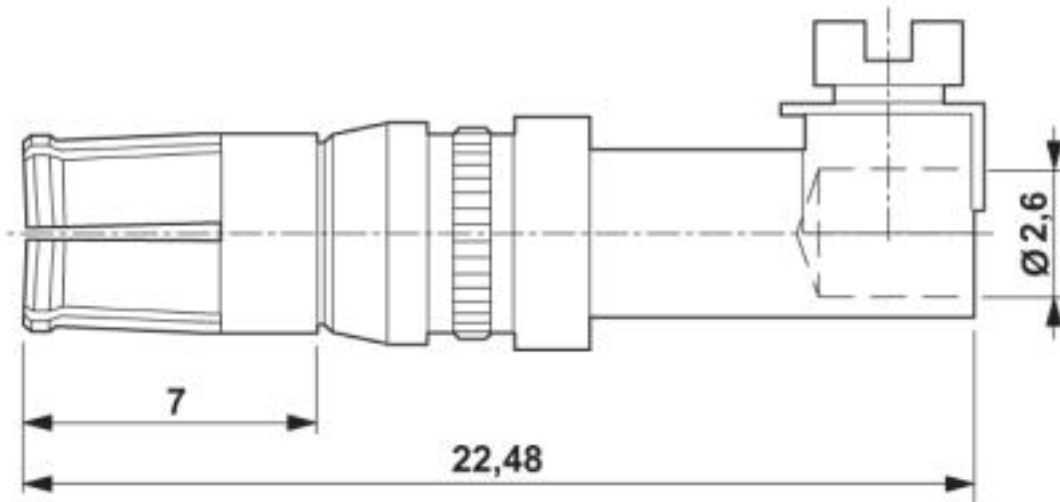
HC-M4-KOAX-EWZ - 1676747



Drawings

D-SUB power contact - VS-BU-SC-2,6 - 1655470

Dimensioned drawing



D-SUB power contact socket

© Phoenix Contact 2013 - all rights reserved
<http://www.phoenixcontact.com>