

## Interface module - DFLK-D37 SUB/S - 2280336

Please be informed that the data shown in this PDF Document is generated from our Online Catalog. Please find the complete data in the user's documentation. Our General Terms of Use for Downloads are valid (<http://download.phoenixcontact.com>)



The VARIOFACE feed-through module implements a 1:1 connection between screw connection terminal blocks and a D-SUB miniature pin strip (number of positions: 37). A separate ground tap is available.

### Product Features

- 9 to 50-pos.
- 50-pos.: no ground tap
- 9 to 37-pos.: separate ground tap
- According to IEC 60807-2
- 1:1 connection
- Screw connection
- D-SUB 4-40 UNC thread

### Key commercial data

package_quantity	5
GTIN	4017918054441

### Technical data

#### Dimensions

Width	39 mm
Height	128.4 mm
Depth	33 mm

#### Ambient conditions

Ambient temperature (operation)	-20 °C ... 50 °C
Ambient temperature (storage/transport)	-20 °C ... 70 °C

#### General

Nominal voltage $U_N$	125 V AC/DC
Max. current carrying capacity per branch	2.5 A
Max. total current of all branches	92.5 A
Number of positions	37
Status display	No
Mounting position	Any
Assembly instructions	In rows with zero spacing
Standards/specifications	Air and creepage distances DIN EN 50178
Pollution degree	2

# Interface module - DFLK-D37 SUB/S - 2280336

## Technical data

### General

Surge voltage category	II
Rated surge voltage	1.2 kV
Rated insulation voltage	125 V

### Connection data for connection 1

Connection name	Field level
Connection in acc. with standard	IEC / EN
Connection method	Screw connection
Conductor cross section solid min.	0.2 mm <sup>2</sup>
Conductor cross section solid max.	4 mm <sup>2</sup>
Conductor cross section stranded min.	0.2 mm <sup>2</sup>
Conductor cross section stranded max.	2.5 mm <sup>2</sup>
Conductor cross section AWG/kcmil min.	24
Conductor cross section AWG/kcmil max	12
Stripping length	8 mm
Screw thread	M3

### Connection data for connection 2

Connection name	Control system level
Connection method	D-SUB pin strip
Number of positions	37

## classifications

### eCl@ss

eCl@ss 4.0	27250313
eCl@ss 4.1	27250313
eCl@ss 5.0	27250313
eCl@ss 5.1	27250313
eCl@ss 6.0	27242608
eCl@ss 7.0	27141152
eCl@ss 8.0	27141152

### ETIM

ETIM 2.0	EC001434
ETIM 3.0	EC001604
ETIM 4.0	EC001604
ETIM 5.0	EC002780

### UNSPSC

UNSPSC 6.01	30211824
UNSPSC 7.0901	39121421
UNSPSC 11	39121421
UNSPSC 12.01	39121421

# Interface module - DFLK-D37 SUB/S - 2280336

## classifications

### UNSPSC

<b>UNSPSC 13.2</b>	39121421
--------------------	----------

## approvals

UL Recognized / cUL Recognized / GOST / cULus Recognized /

### Approval details

<b>UL Recognized</b>	
Nominal voltage UN	125 V
Nominal current IN	2.5 A
mm <sup>2</sup> /AWG/kcmil	30-12

<b>cUL Recognized</b>	
Nominal voltage UN	125 V
Nominal current IN	2.5 A
mm <sup>2</sup> /AWG/kcmil	30-12

<b>GOST</b>
-------------

<b>cULus Recognized</b>
-------------------------

## accessories

### System cable

CABLE-D37SUB/B/S/ 50/KONFEK/S - 2302191



## Interface module - DFLK-D37 SUB/S - 2280336

### accessories

CABLE-D37SUB/B/S/100/KONFEK/S - 2302201



CABLE-D37SUB/B/S/150/KONFEK/S - 2302214



CABLE-D37SUB/B/S/200/KONFEK/S - 2302227



CABLE-D37SUB/B/S/300/KONFEK/S - 2302230



CABLE-D37SUB/B/S/400/KONFEK/S - 2302243



CABLE-D37SUB/B/S/600/KONFEK/S - 2302256



## Interface module - DFLK-D37 SUB/S - 2280336

### accessories

---

CABLE D-SUB-S/.../.../... - 2302340



CABLE D-SUB-B-B-S/.../.../... - 2302421



CABLE-D-37SUB/F/OE/0,25/S/0,5M - 2926221



CABLE-D-37SUB/F/OE/0,25/S/1,0M - 2926234



CABLE-D-37SUB/F/OE/0,25/S/1,5M - 2926247



## Interface module - DFLK-D37 SUB/S - 2280336

### accessories

CABLE-D-37SUB/F/OE/0,25/S/2,0M - 2926250



CABLE-D-37SUB/F/OE/0,25/S/3,0M - 2926263



CABLE-D-37SUB/F/OE/0,25/S/4,0M - 2926276



CABLE-D-37SUB/F/OE/0,25/S/6,0M - 2926289



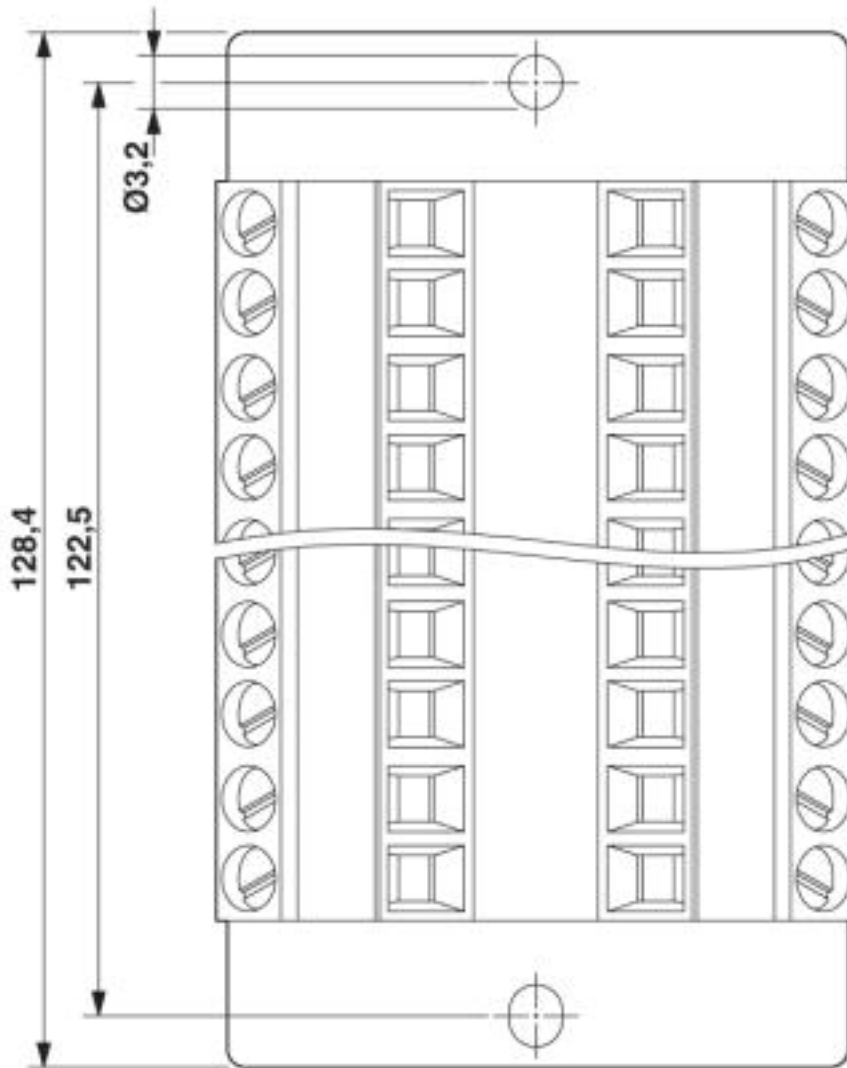
CABLE-D-37SUB-F-OE-0,25-S/... - 2900907



### Drawings

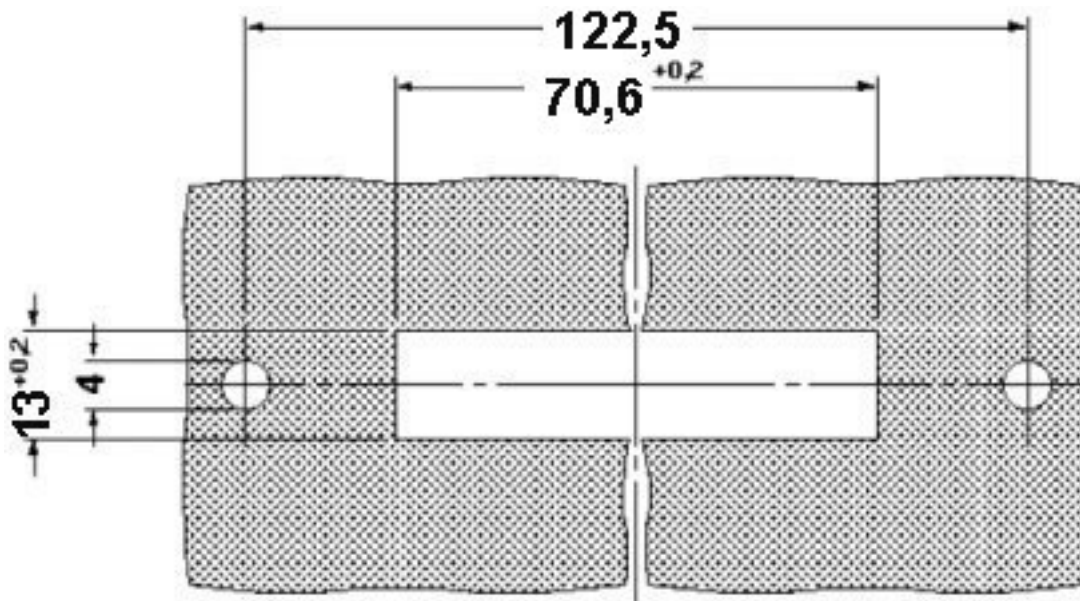
# Interface module - DFLK-D37 SUB/S - 2280336

Dimensioned drawing



# Interface module - DFLK-D37 SUB/S - 2280336

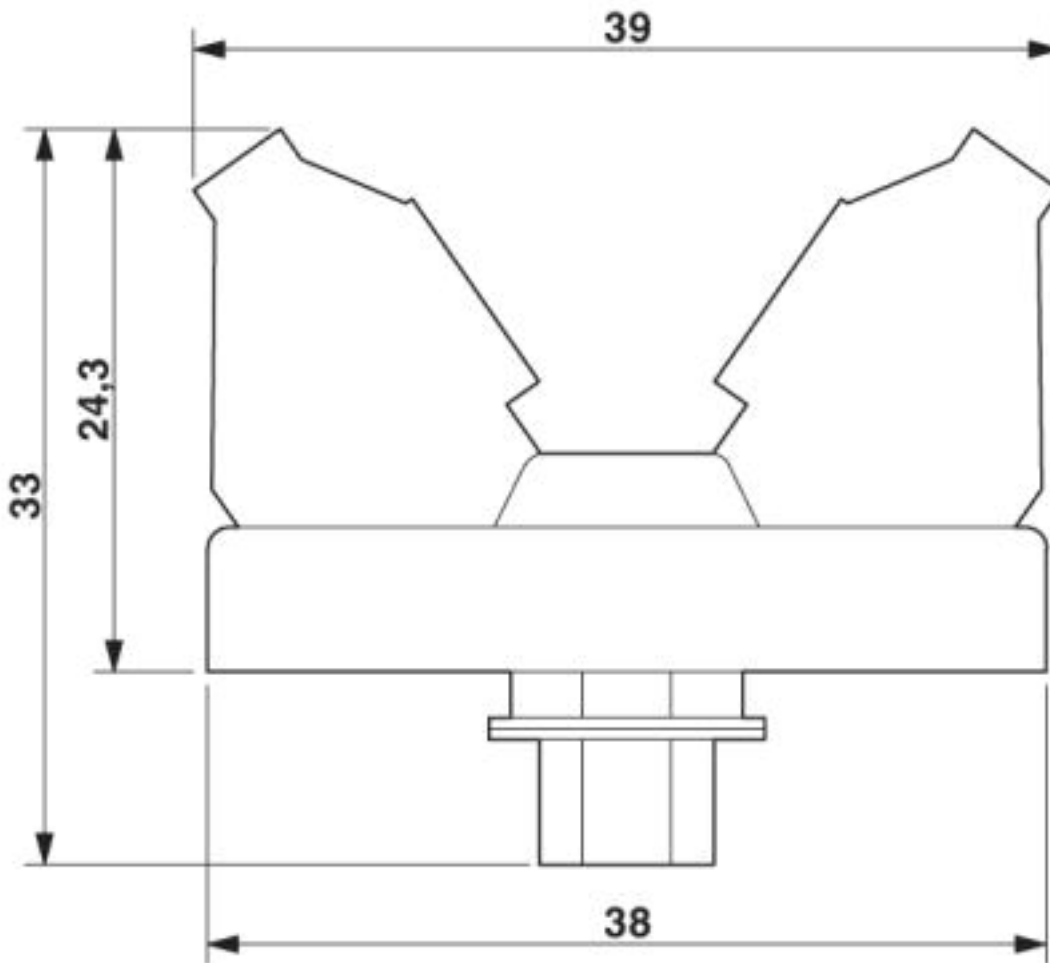
Dimensioned drawing





## Interface module - DFLK-D37 SUB/S - 2280336

Dimensioned drawing



© Phoenix Contact 2013 - all rights reserved  
<http://www.phoenixcontact.com>