

Passive module - FLKM 50/32M/IN/LA/DV - 2304856

Please be informed that the data shown in this PDF Document is generated from our Online Catalog. Please find the complete data in the user's documentation. Our General Terms of Use for Downloads are valid (<http://download.phoenixcontact.com>)



32-channel module with LED and 2-wire connection, common minus potential (for input cards of the Delta V control system)

Product Features

- These system-specific interface modules for DeltaV modules are used in combination with FLK 50/2FLK20/EZ-DR/.../DV system cables
- Can be used for 32-channel input modules
- Two-wire connection with separate negative terminal block per channel (dry contact)
- LED status indicator per channel

Key commercial data

package_quantity	1
GTIN	4017918981747

Technical data

Dimensions

Width	169 mm
Height	90 mm
Depth	68 mm

Ambient conditions

Ambient temperature (operation)	-20 °C ... 50 °C
Ambient temperature (storage/transport)	-20 °C ... 70 °C

General

Nominal voltage U_N	30 V DC
Max. current carrying capacity per branch	1 A
Max. total current of voltage supply	5 A (KL/KL)
Number of positions	50
Status display	Yes
Test voltage	500 V (50 Hz, 1 min.)
Test voltage contact/contact	500 V AC
Mounting position	Any
Assembly instructions	In rows with zero spacing
Standards/regulations	IEC 60664
Standards/regulations	DIN EN 50178

Passive module - FLKM 50/32M/IN/LA/DV - 2304856

Technical data

General

Standards/regulations	IEC 62103
Pollution degree	2
Surge voltage category	II
Input operating voltage	max. 30 V DC
Output operating voltage	24 V DC ±10 %
Continuous load current	1 A
Rated surge voltage	0.8 kV

Connection data for connection 1

Connection name	Field level
Connection in acc. with standard	IEC / EN
Connection method	Screw connection
Conductor cross section solid min.	0.2 mm ²
Conductor cross section solid max.	4 mm ²
Conductor cross section stranded min.	0.2 mm ²
Conductor cross section stranded max.	2.5 mm ²
Conductor cross section AWG/kcmil min.	24
Conductor cross section AWG/kcmil max	12
Stripping length	8 mm
Screw thread	M3

Connection data for connection 2

Connection name	Control system level
Number of connections	1
Connection method	IDC/FLK pin strip (2.54 mm)
Number of positions	50

Supported controller

Control	Emerson DeltaV
- suitable I/O card	VE4001S2T2B5

classifications

eCl@ss

eCl@ss 4.0	27250313
eCl@ss 4.1	27250313
eCl@ss 5.0	27250313
eCl@ss 5.1	27250313
eCl@ss 6.0	27242208
eCl@ss 7.0	27242208
eCl@ss 8.0	27242208

ETIM

ETIM 2.0	EC001423
----------	----------

Passive module - FLKM 50/32M/IN/LA/DV - 2304856

classifications

ETIM

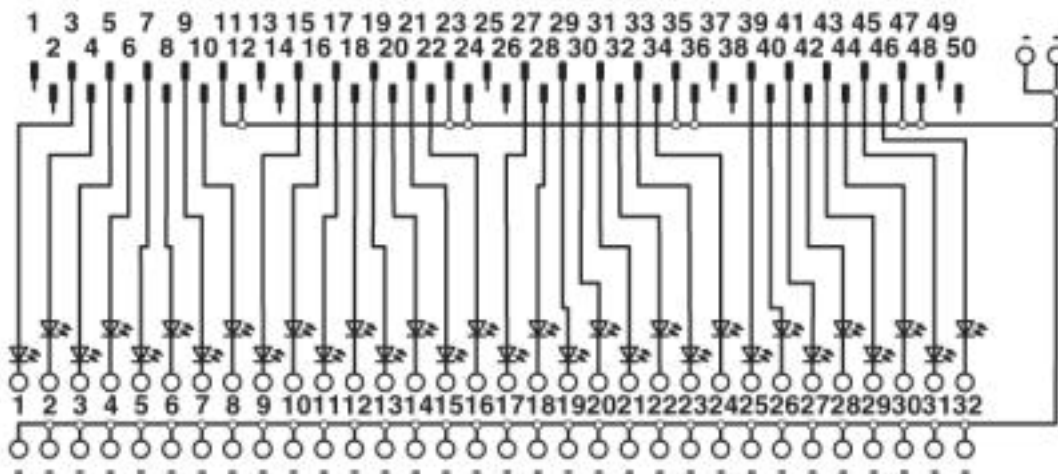
ETIM 3.0	EC001423
ETIM 4.0	EC001423
ETIM 5.0	EC001437

UNSPSC

UNSPSC 6.01	30211824
UNSPSC 7.0901	39121421
UNSPSC 11	39121421
UNSPSC 12.01	39121421
UNSPSC 13.2	39121421

Drawings

Circuit diagram



FLKM 50/32M/IN/LA/DV connection scheme

© Phoenix Contact 2013 - all rights reserved
<http://www.phoenixcontact.com>