

# Contact insert - VC-AMS 6 - 1854019

Please be informed that the data shown in this PDF Document is generated from our Online Catalog. Please find the complete data in the user's documentation. Our General Terms of Use for Downloads are valid (<http://download.phoenixcontact.com>)



Contact insert module, for panel mounting frames, with screw connection, 6-pos., 250 V / 10 A

## Product Features

- Compact design
- Proven COMBICON technology
- Universal connection
- Can be keyed to prevent incorrect connection

## Key commercial data

package_quantity	50
GTIN	4017918144104

## Technical data

### General

<b>Note</b>	Connectors may only be connected/disconnected when under no load.
<b>Connection method</b>	Screw connection
<b>Connection method</b>	Screw connection
<b>Tightening torque</b>	0.22 Nm ... 0.25 Nm
<b>Pollution degree</b>	3
<b>Surge voltage category</b>	III
<b>Number of positions</b>	6
<b>Insertion/withdrawal cycles</b>	≥ 100
<b>Conductor cross section AWG/kcmil min.</b>	28
<b>Conductor cross section AWG/kcmil max</b>	16
<b>2 conductors with same cross section, solid min.</b>	0.14 mm <sup>2</sup>
<b>2 conductors with same cross section, solid max.</b>	0.5 mm <sup>2</sup>
<b>2 conductors with same cross section, stranded min.</b>	0.14 mm <sup>2</sup>
<b>2 conductors with same cross section, stranded max.</b>	0.75 mm <sup>2</sup>
<b>2 conductors with same cross section, stranded, ferrules without plastic sleeve, min.</b>	0.25 mm <sup>2</sup>
<b>2 conductors with same cross section, stranded, ferrules without plastic sleeve, max.</b>	0.34 mm <sup>2</sup>
<b>2 conductors with same cross section, stranded, TWIN ferrules with plastic sleeve, min.</b>	0.5 mm <sup>2</sup>

# Contact insert - VC-AMS 6 - 1854019

## Technical data

### General

<b>2 conductors with same cross section, stranded, TWIN ferrules with plastic sleeve, max.</b>	0.5 mm <sup>2</sup>
<b>Conductor cross section</b>	0.14 mm <sup>2</sup> ... 1.5 mm <sup>2</sup>
<b>Connection cross section AWG</b>	28 ... 16
<b>Stripping length of the individual wire</b>	6 mm

### Ambient conditions

<b>Ambient temperature (operation)</b>	-40 °C ... 100 °C
--	-------------------

### Material data

<b>Inflammability class according to UL 94</b>	V0
<b>Contact material</b>	CuZn
<b>Contact surface material</b>	Tin-plated
<b>Contact carrier material</b>	PA

### Electrical characteristics

<b>Rated voltage (III/3)</b>	250 V
<b>Rated surge voltage</b>	4 kV
<b>Rated surge voltage</b>	4 kV
<b>Rated current</b>	10 A

## classifications

### eCl@ss

<b>eCl@ss 4.0</b>	27140816
<b>eCl@ss 4.1</b>	27140816
<b>eCl@ss 5.0</b>	27143424
<b>eCl@ss 5.1</b>	27143424
<b>eCl@ss 6.0</b>	27143424
<b>eCl@ss 7.0</b>	27440209
<b>eCl@ss 8.0</b>	27440209

### ETIM

<b>ETIM 2.0</b>	EC000438
<b>ETIM 3.0</b>	EC000438
<b>ETIM 4.0</b>	EC000438
<b>ETIM 5.0</b>	EC000438

### UNSPSC

<b>UNSPSC 6.01</b>	30211923
<b>UNSPSC 7.0901</b>	39121522
<b>UNSPSC 11</b>	39121522
<b>UNSPSC 12.01</b>	39121522
<b>UNSPSC 13.2</b>	39121522

# Contact insert - VC-AMS 6 - 1854019

## approvals

UL Recognized / cUL Recognized / GOST / LR / GOST / cULus Recognized /

### Approval details

<b>UL Recognized</b>	
Nominal voltage UN	250 V
Nominal current IN	8 A
mm <sup>2</sup> /AWG/kcmil	30-14

<b>cUL Recognized</b>	
Nominal voltage UN	250 V
Nominal current IN	8 A
mm <sup>2</sup> /AWG/kcmil	30-14

<b>GOST</b>
-------------

<b>LR</b>
-----------

--

<b>cULus Recognized</b>
-------------------------

## accessories

### Coding element

# Contact insert - VC-AMS 6 - 1854019

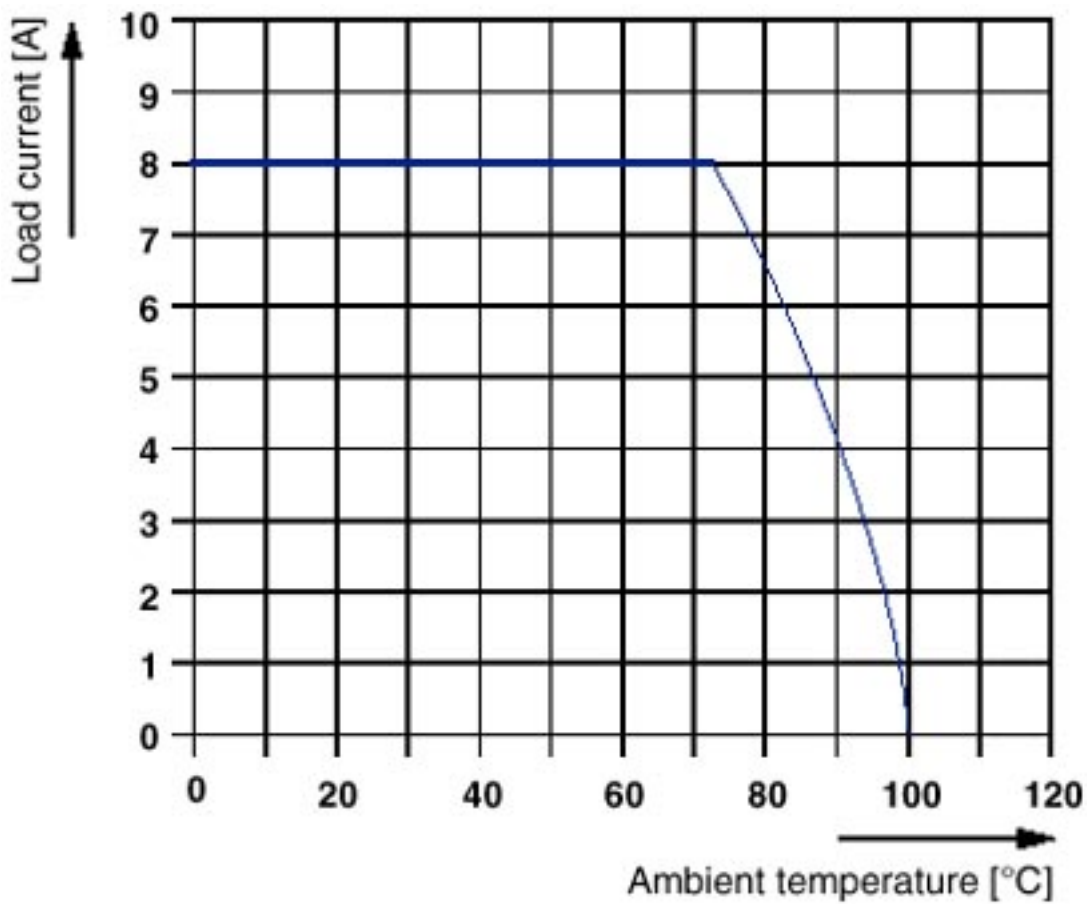
accessories

CP-MSTB - 1734634



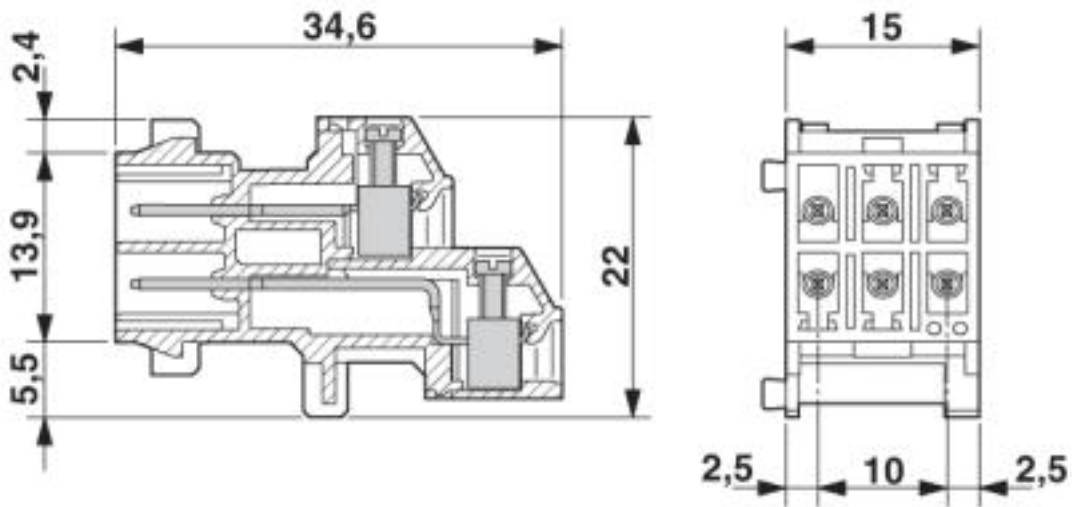
## Drawings

Diagram



## Contact insert - VC-AMS 6 - 1854019

Dimensioned drawing



© Phoenix Contact 2013 - all rights reserved  
<http://www.phoenixcontact.com>