

FO converters - PSI-MOS-DNET CAN/FO 850/BM - 2708083

Please be informed that the data shown in this PDF Document is generated from our Online Catalog. Please find the complete data in the user's documentation. Our General Terms of Use for Downloads are valid (<http://download.phoenixcontact.com>)



FO converter with integrated optical diagnosis, for für DeviceNet™, CAN, CANopen® to 800 kbps, basic module, interfaces: 1 x CAN, 1 x Alarm, 1 x FO (BFOC), 850 nm, for HCS/fiberglass cable

Product Features

- Data rates of up to 800 kbps, set via DIP switches
- Approved for use in zone 2
- Intrinsically safe fiber optic interface (Ex op is) for direct connection to devices in zone 1
- Integrated optical diagnostics for continuous monitoring of fiber optic paths
- High-quality electrical isolation between all interfaces (DeviceNet // fiber optic port // power supply // backplane)
- Integrated bus termination resistor can be connected internally
- Integrated backplane for routing through the supply voltage and data signals
- Connections can be plugged in using a COMBICON screw terminal block
- Floating switch contact in the basic module for leading alarm generation in relation to critical fiber optic paths



Key commercial data

package_quantity	1
GTIN	4017918943202

Technical data

Note:

Utilization restriction	EMC: class A product, see manufacturer's declaration in the download area
-------------------------	---

Dimensions

Width	22.5 mm
Height	99 mm
Depth	114.5 mm

Ambient conditions

Ambient temperature (operation)	-20 °C ... 60 °C
Ambient temperature (storage/transport)	-40 °C ... 85 °C
Permissible humidity (operation)	30 % ... 95 % (no condensation)
Altitude	5000 m (For restrictions see manufacturer's declaration)
Degree of protection	IP20

FO converters - PSI-MOS-DNET CAN/FO 850/BM - 2708083

Technical data

Ambient conditions

Noise immunity	EN 61000-6-2
-----------------------	--------------

Serial interface

Interface 1	CAN interface, in accordance with ISO/IS 11898 for DeviceNet, CAN, CANopen
Connection method	Pluggable screw connection
File format/coding	Bit stuffing, NRZ
Transmission medium	Copper
Transmission length	≤ 5000 m (Dependent on the data rate and the protocol used)
Termination resistor	120 Ω (Can be connected)
Serial transmission speed	≤ 800 kbps

Optical interface FO

Transmit capacity, minimum	-17.9 dBm (50/125 μm)
Transmit capacity, minimum	-14.1 dBm (62,5/125 μm)
Transmit capacity, minimum	-5.1 dBm (200/230 μm)
Minimum receiver sensitivity	-32.5 dBm (50/125 μm)
Minimum receiver sensitivity	-32.5 dBm (62,5/125 μm)
Minimum receiver sensitivity	-32.1 dBm (200/230 μm)
Wavelength	850 nm
Transmission length incl. 3 dB system reserve	2800 m (with F-K 200/230 8 dB/km with quick mounting connector)
Transmission length incl. 3 dB system reserve	4800 m (with F-G 50/125 2.5 dB/km)
Transmission length incl. 3 dB system reserve	4200 m (with F-G 62,5/125 3.0 dB/km)
Transmission medium	HCS fiber
Transmission medium	Multi-mode fiberglass
Connection method	B-FOC (ST®)

Fault warning output

Maximum switching voltage	60 V DC
Maximum switching voltage	42 V AC
Limiting continuous current	0.46 A

Power supply

Supply voltage range	10 V DC ... 30 V DC (via pluggable COMBICON screw terminal block)
Max. current consumption	100 mA
Typical current consumption	100 mA (24 V DC)
Connection method	Pluggable COMBICON screw terminal block through basic module

General

Bit distortion, input	± 35 % (permitted)
Bit distortion, output	< 6.25 %
Electrical isolation	(VCC // CAN)
Test voltage data interface/power supply	1.5 kV _{rms} (50 Hz, 1 min.)
Electromagnetic compatibility	Conformance with EMC Directive 2004/108/EC

FO converters - PSI-MOS-DNET CAN/FO 850/BM - 2708083

Technical data

General

Noise emission	EN 55011
Housing material	PA 6.6-FR
Color	green
MTBF	299 Years (Telcordia standard, 25°C temperature, 21% operating cycle (5 days a week, 8 hours a day))
MTBF	47 Years (Telcordia standard, 40°C temperature, 34.25% operating cycle (5 days a week, 12 hours a day))
Conformance	CE-compliant
ATEX	# II 3 G Ex nAC IIC T4 X
ATEX	# II (2) GD [Ex op is] IIC (PTB 06 ATEX 2042 U)
UL, USA / Canada	Class I, Zone 2, AEx nc IIC T5
UL, USA / Canada	Class I, Div. 2, Groups A, B, C, D

classifications

eCl@ss

eCl@ss 4.0	27230207
eCl@ss 4.1	27230207
eCl@ss 5.0	27230207
eCl@ss 5.1	27230207
eCl@ss 6.0	27230207
eCl@ss 7.0	27230207
eCl@ss 8.0	27230207

ETIM

ETIM 2.0	EC001423
ETIM 3.0	EC001423
ETIM 4.0	EC001423
ETIM 5.0	EC001423

UNSPSC

UNSPSC 6.01	30211506
UNSPSC 7.0901	39121008
UNSPSC 11	39121008
UNSPSC 12.01	39121008
UNSPSC 13.2	43201553

approvals

ATEX / UL Listed / UL Recognized / cUL Recognized / cULus Recognized /

Approval details

FO converters - PSI-MOS-DNET CAN/FO 850/BM - 2708083

approvals

ATEX	
Nominal voltage UN	
Nominal current IN	
mm ² /AWG/kcmil	

UL Listed

UL Recognized

cUL Recognized

cULus Recognized

accessories

Data cable by the meter

PSM-LWL-HCS-RUGGED-200/230 - 2799885



PSM-LWL-HCSO-200/230 - 2799445



FO converters - PSI-MOS-DNET CAN/FO 850/BM - 2708083

accessories

PSM-LWL-GDM-RUGGED- 50/125 - 2799322



PSM-LWL-GDO- 50/125 - 2799432



SAC-5P-920/... - 1511504



Assembly tool

PSM-HCS-KONFTOOL/B-FOC - 2708465



Measuring tools

PSM-FO-POWERMETER - 2799539



Adapter

FO converters - PSI-MOS-DNET CAN/FO 850/BM - 2708083

accessories

PSM-SET-BFOC-LINK/2 - 2799429



Data plug

SUBCON-PLUS-CAN - 2744694



SUBCON-PLUS-CAN/PG - 2708119



SUBCON-PLUS-CAN/AX - 2306566



SUBCON-PLUS-CAN/90/PG/M12 - 2902322

FO converters - PSI-MOS-DNET CAN/FO 850/BM - 2708083

accessories

SUBCON-PLUS-CAN/90/M12 - 2902323

SUBCON-PLUS-CAN/35/PG/M12 - 2902324

SUBCON-PLUS-CAN/35/M12 - 2902325

SUBCON-PLUS-CAN/AX/M12 - 2902326

SUBCON-PLUS-CAN - 2744694



SUBCON-PLUS-CAN/PG - 2708119



FO converters - PSI-MOS-DNET CAN/FO 850/BM - 2708083

accessories

SUBCON-PLUS-CAN/AX - 2306566



Screwdriver tools

SZS 0,4X2,5 VDE - 1205037



Connector set

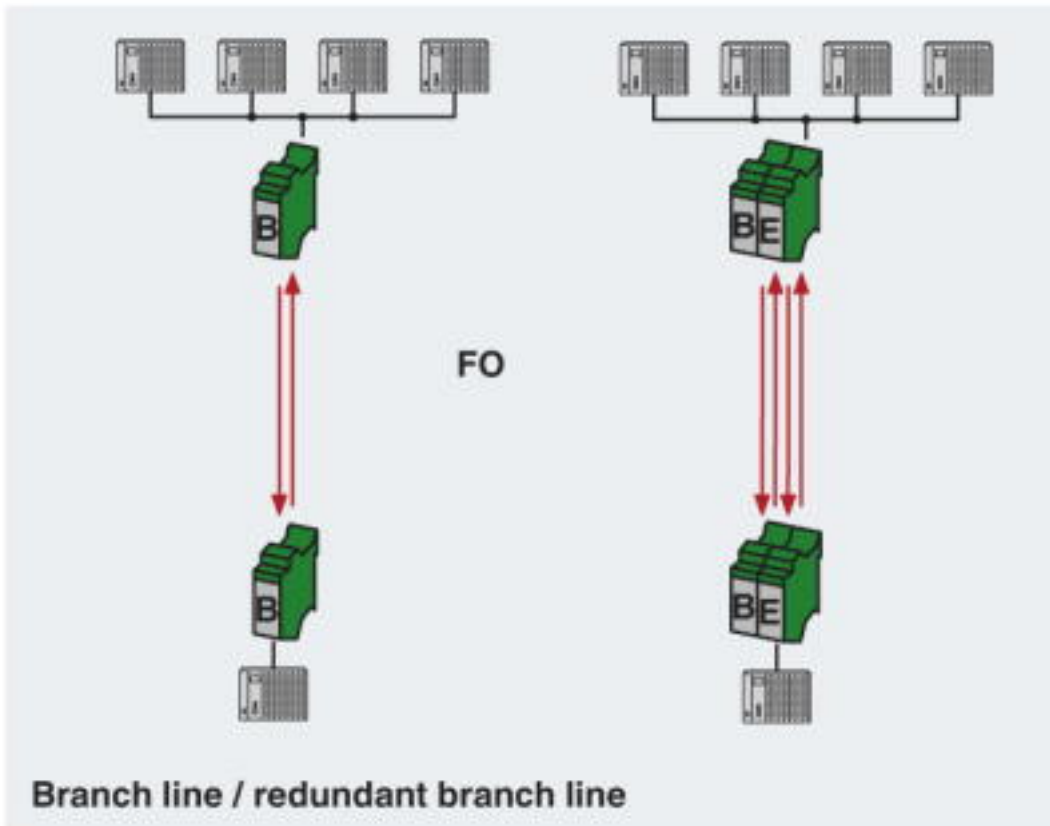
PSM-SET-B-FOC/4-HCS - 2708481



Drawings

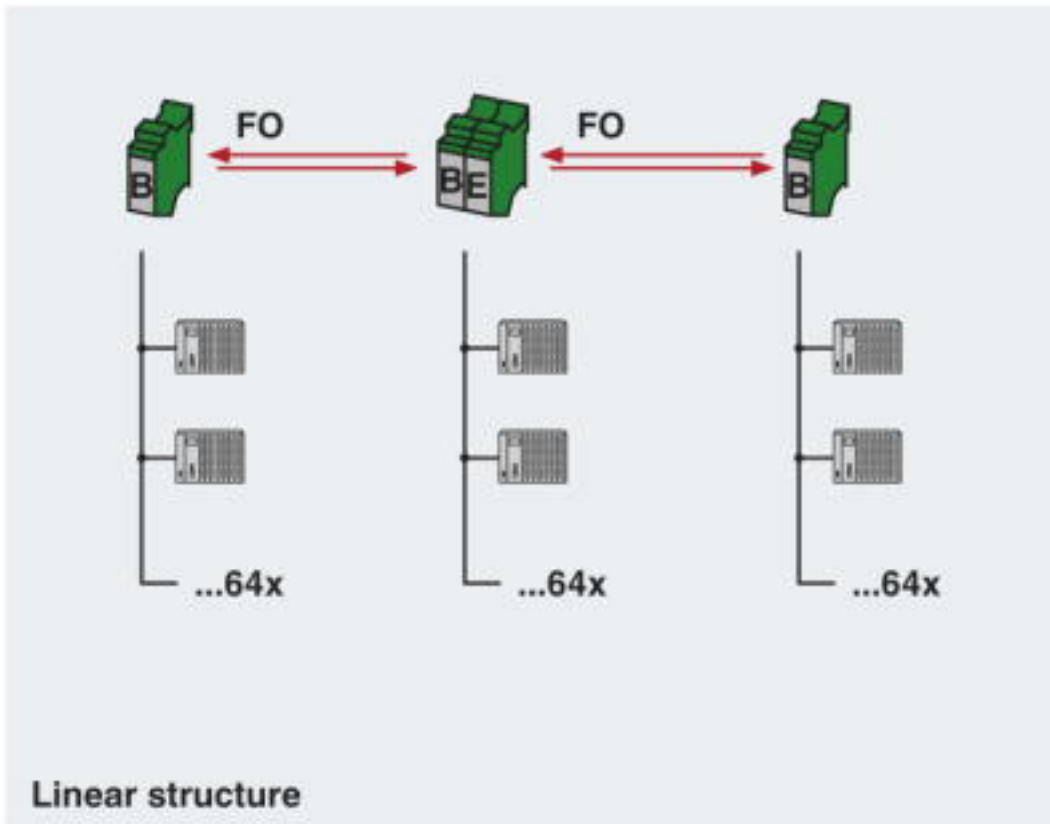
FO converters - PSI-MOS-DNET CAN/FO 850/BM - 2708083

Application drawing



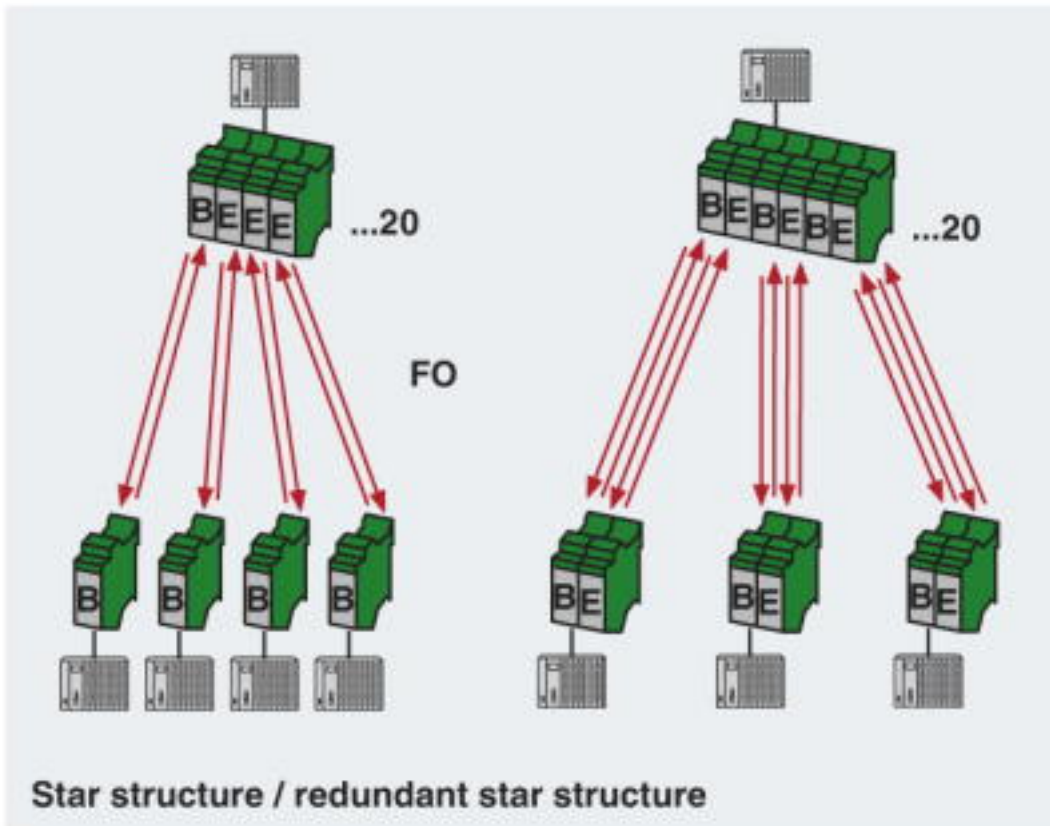
FO converters - PSI-MOS-DNET CAN/FO 850/BM - 2708083

Application drawing



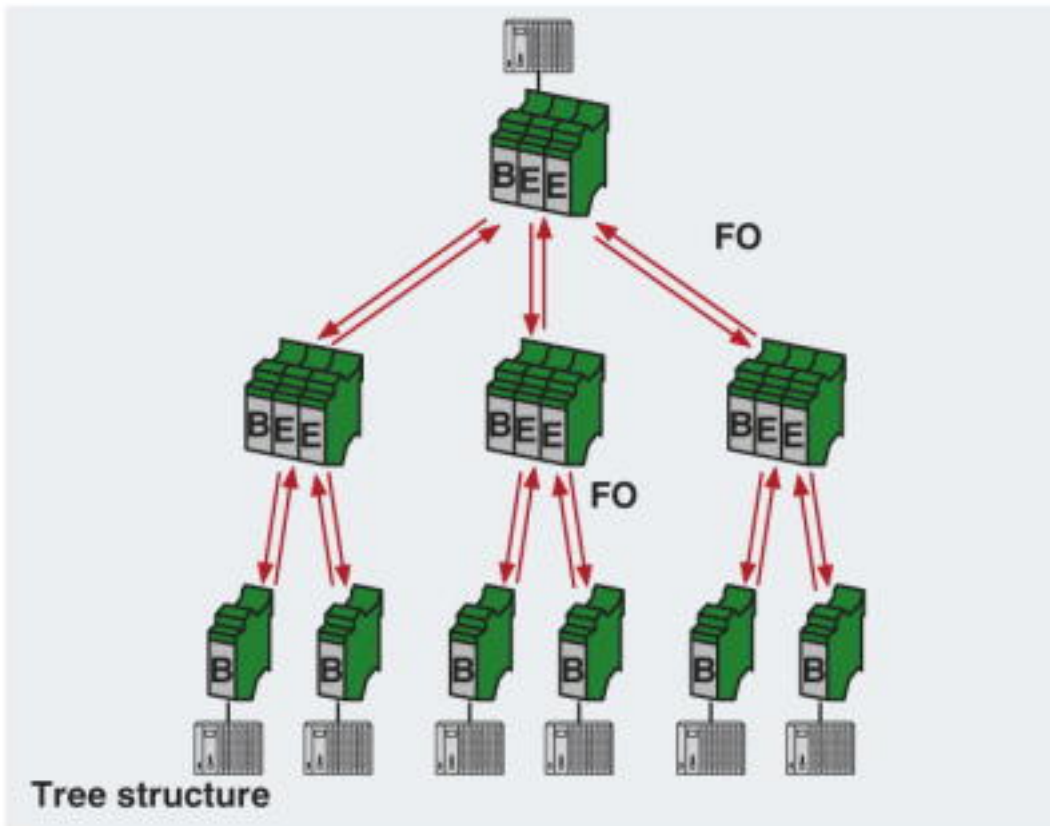
FO converters - PSI-MOS-DNET CAN/FO 850/BM - 2708083

Application drawing

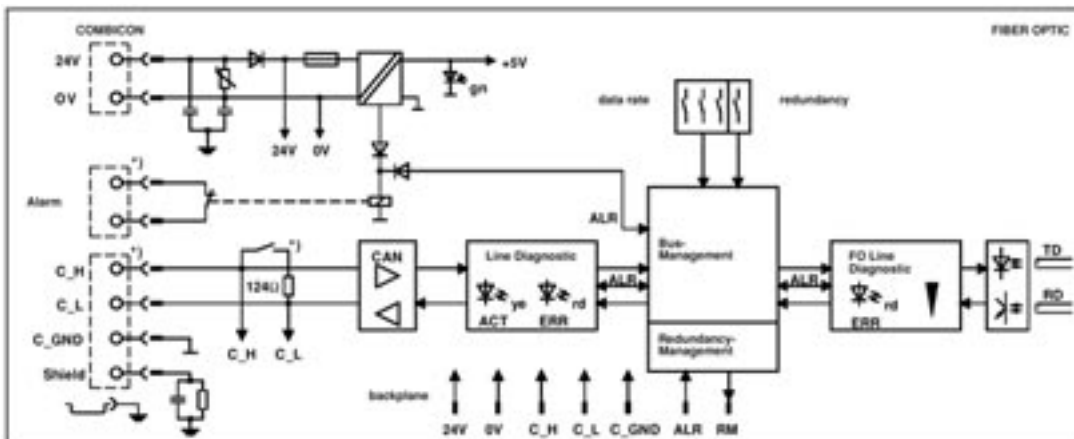


FO converters - PSI-MOS-DNET CAN/FO 850/BM - 2708083

Application drawing



Block diagram



*) Only in the basic module