

Connector IDC

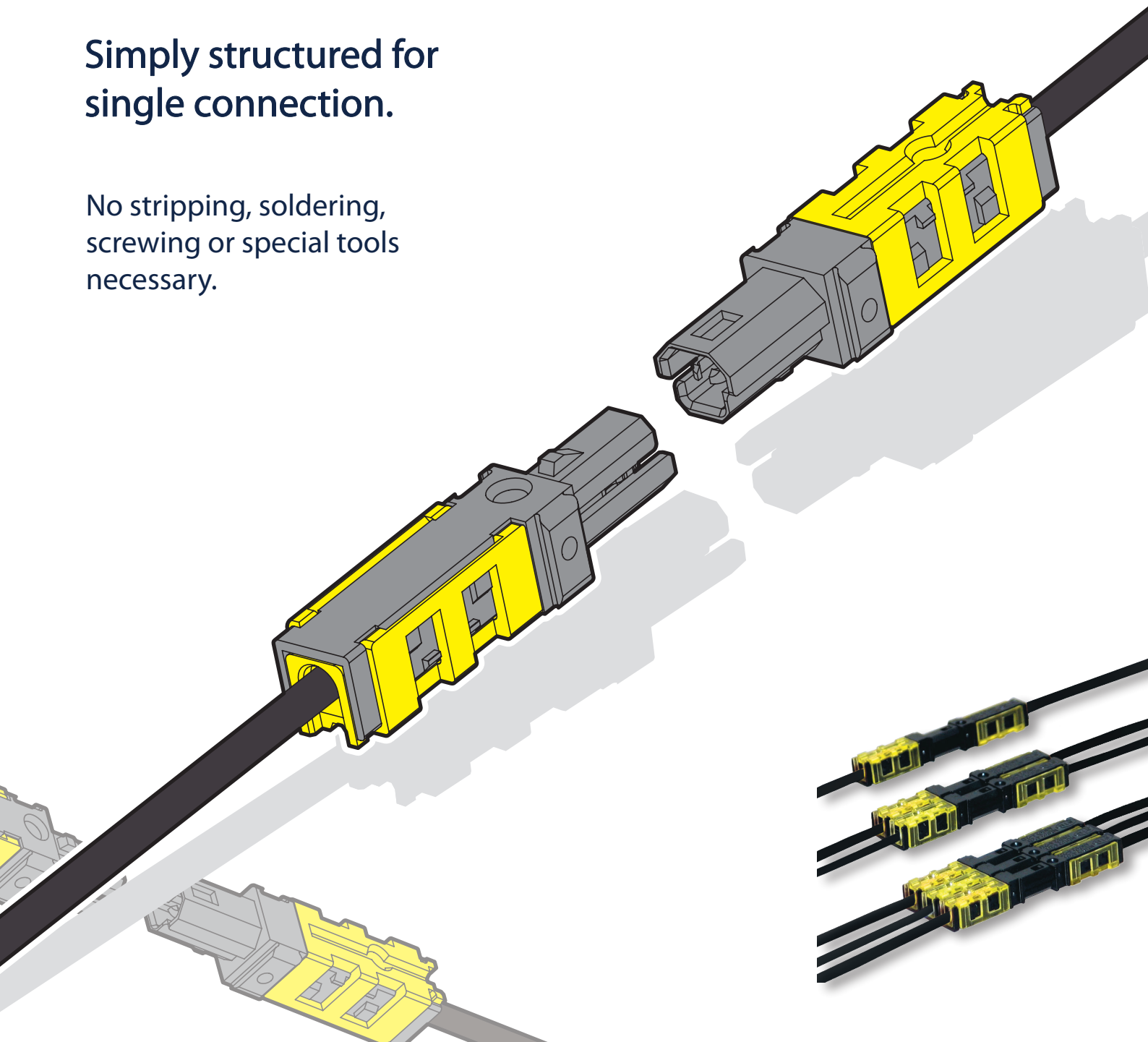
3924n

Connecting plate

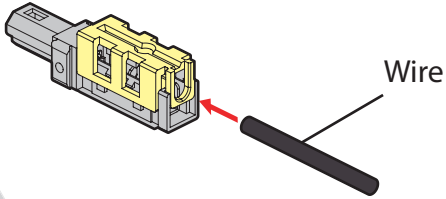
3924n.1

Simply structured for  
single connection.

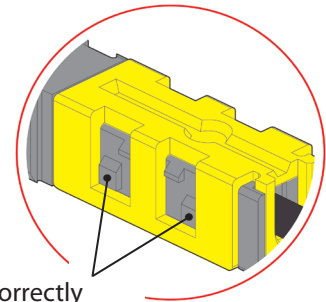
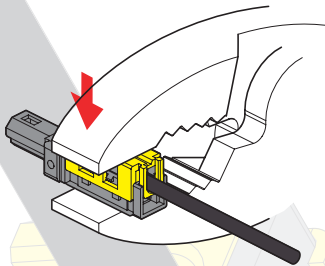
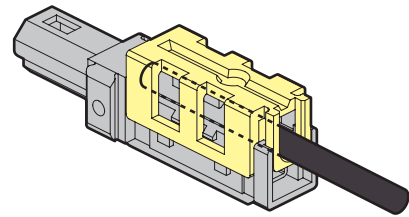
No stripping, soldering,  
screwing or special tools  
necessary.



**1** Insert the wire until it reaches the end and use a plier at its open jaw condition.

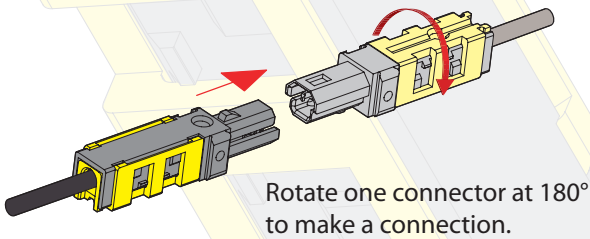


No stripping necessary. Insert the wire until it reaches the end.

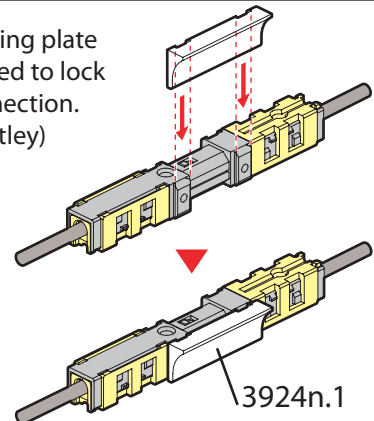


Confirm that it is correctly locked.

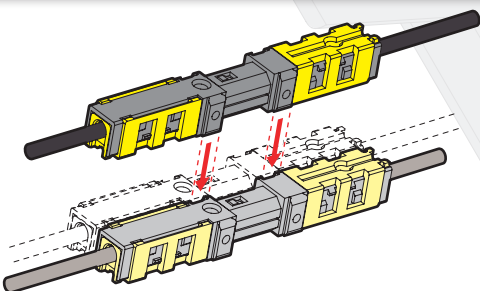
**2** Connectors of the same shape can be connected.



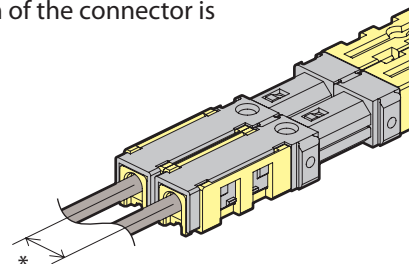
The connecting plate (3924n.1) used to lock mating connection. (Sold separately)



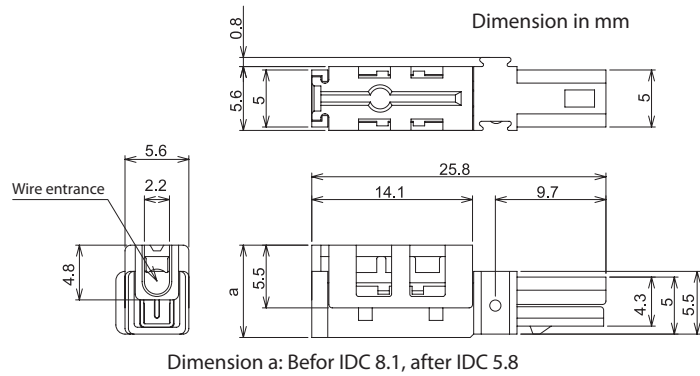
**3** For multi pole connection link the connectors together by sliding them along the easy guide rail.



The pitch of the connector is 5.6mm. \*



## Technical specifications



Wire	Wire size	0.2mm <sup>2</sup> - 0.5mm <sup>2</sup>
	Max. wire outside diameter	2.1mm

Rating	Voltage	100V
	Current	2A (0.2mm <sup>2</sup> )
		3A (0.5mm <sup>2</sup> )
	Temperature range	-20°C to +75°C
	Assemble temperature	0°C to +40°C

Applicable wire standard	UL1007 AWG24-AWG20
	KV (per JIS) 0.2mm <sup>2</sup> - 0.5mm <sup>2</sup>
	KIV (per JIS) 0.3mm <sup>2</sup>
	VFS (JIS) 0.3mm <sup>2</sup>

Tool	Plier
------	-------

Material	Housing	Polycarbonate (black)
	Cover	Polycarbonate (yellow and translucent)
	Contact	Pre-tin plated bronze
	Connecting plate	Polycarbonate (white)

RoHS compliant

Package quantity	Connector 3924n	100 pcs.
	Connecting plate 3924n.1	50 pcs.

## For safety use, please read following points prior to usage.

- Check the product specification.
- For copper wire only.
- Do not use other wires than applicable wires per standard.
- Use within the rated voltage, current, temperature range and assemble temperature.
- Connection of wire and connector shall be made when power is turned off.
- Indoor use only.
- Avoid using under conditions such as high temperature, low temperature, high humidity, much dust, places with vibration and strong impact, water, oils, chemicals and corrosive gas.
- Fix wires without causing tension.
- IDC contact is not reusable
- Straight connection in and out.

