

## D-SUB contact support - VS-15-BU-DSUB-CD-MG - 1688926

Please be informed that the data shown in this PDF Document is generated from our Online Catalog. Please find the complete data in the user's documentation. Our General Terms of Use for Downloads are valid (<http://download.phoenixcontact.com>)



D-SUB contact carrier, shell size 2, for 15 signal contacts, contact type socket, for crimp contacts, straight, fixing with 4-40 UNC thread, for panel mounting frame VS-15-...

### Key commercial data

<b>package_quantity</b>	10
<b>GTIN</b>	4017918823078

### Technical data

#### Mechanical characteristics

<b>Number of positions</b>	15
<b>Connection profile</b>	D-SUB 15
<b>Insertion/withdrawal cycles</b>	≥ 500
<b>Connection method</b>	Crimp connection

#### Ambient conditions

<b>Ambient temperature (operation)</b>	-55 °C ... 125 °C
--	-------------------

#### Material data

<b>Inflammability class according to UL 94</b>	V0
<b>Housing material</b>	Steel, yellow chromated
<b>Contact carrier material</b>	Polyester GF

#### Electrical characteristics

<b>Rated voltage (III/3)</b>	125 V
<b>Rated current</b>	5 A

### classifications

#### eCl@ss

<b>eCl@ss 4.0</b>	27140816
<b>eCl@ss 4.1</b>	27260701
<b>eCl@ss 5.0</b>	27260701
<b>eCl@ss 5.1</b>	27260701
<b>eCl@ss 6.0</b>	27260705
<b>eCl@ss 7.0</b>	27440309
<b>eCl@ss 8.0</b>	27440309

# D-SUB contact support - VS-15-BU-DSUB-CD-MG - 1688926

## classifications

### ETIM

ETIM 2.0	EC000438
ETIM 3.0	EC000438
ETIM 4.0	EC000438
ETIM 5.0	EC000438

### UNSPSC

UNSPSC 6.01	30211923
UNSPSC 7.0901	39121522
UNSPSC 11	39121522
UNSPSC 12.01	39121522
UNSPSC 13.2	39121522

## approvals

GOST /

### Approval details



## accessories

### Crimp contact

VS-BU-CD-1,0/14,4/0,2 - 1688997



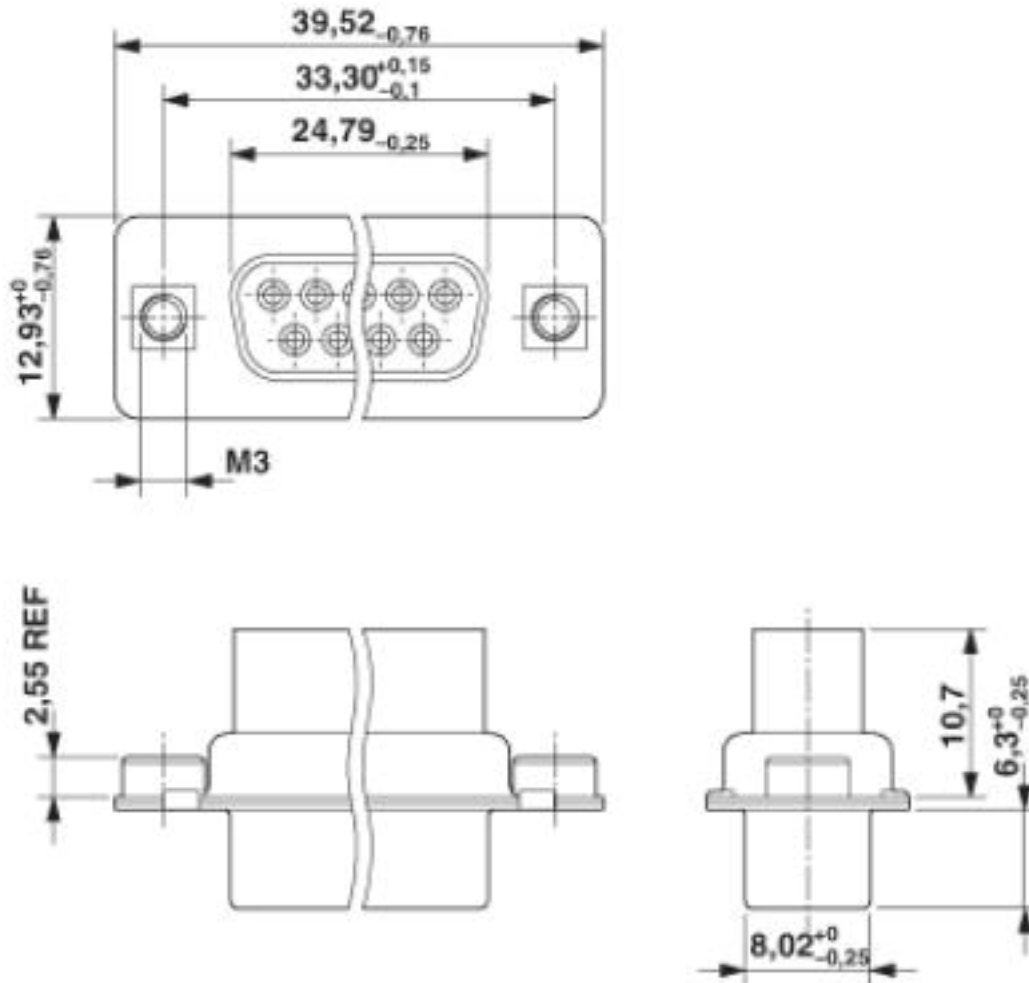
VS-BU-CD-1,0/14,4/0,5 - 1688984



## Drawings

# D-SUB contact support - VS-15-BU-DSUB-CD-MG - 1688926

Dimensioned drawing



D-SUB contact carrier

Schematic diagram